



Type code : Kit motor

# 1MR105

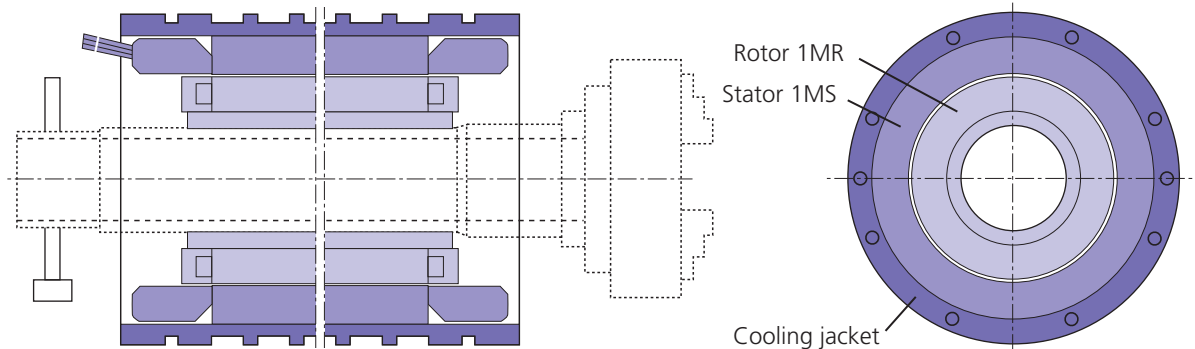
Rotor for 1MB frameless spindle motor

**INN 41.20-10-51**  
2000-12-05

Abbrev. Column	1	2	3	4	5	6	7	8	9	1	2	3	4	5	6	7	8	9	2	1	2	3	4	5	6	7	8	9	3	1	2	3	4	5	6	7	8	9	4	0
Example:	1	M	R	1	0	5	N	-	B	0	4	0																												

- 1. Product group**
  - 1.1 1MR ..... = 1MR
- 2. Motor size**
  - 2.1 105 ..... = 105
- 3. Motor length**
  - 3.1 Length ..... = N
- 4. Rotor design**
  - 4.1 without rotor sleeve ..... = B
- 5. Inside diameter of rotor**
  - 5.1 40.5 mm ..... = 040

**Illustration example: 1MB**



"Schutzvermerk DIN 34 beachten" - "Copyright reserved"

Doc: INN-41-20-T10-51-M04-1MR.fn8

