



Type code : Linear motor

# LSP160

Primary part for LSF160 linear motor

**INN 41.42-16-01**  
2000-10-13

Abbrev. Column	1	2	3	4	5	6	7	8	9	0	1	2	3	4	5	6	7	8	9	0	1	2	3	4	5	6	7	8	9	0	1	2	3	4	5	6	7	8	9	0
Example:	L	S	P	1	6	0	K	-	R	U	2	-	B	N																										

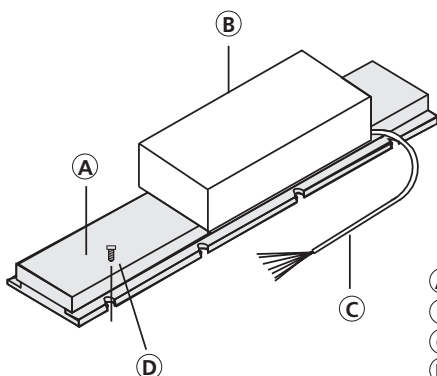
- 1. Product group**
  - 1.1 LSP. .... = LSP
- 2. Motor size**
  - 2.1 160 ..... = 160
- 3. Encapsulation / Motor length**

	Encapsulation	Motor length			
3.1	Standard encapsulation	K	L	M	N
3.2	Thermo-encapsulation	S	T	U	V
- 4. Position of power connection**
  - 4.1 right, below ..... = RU
- 5. Length of power connection**
  - 5.1 2 m ..... = 2
- 6. Windings code**
  - 6.1 A ..... = A
  - 6.2 B ..... = B
  - 6.3 C ..... = C
- 7. Cooling mode**
  - 7.1 Liquid cooling (integrated) ..... = N

**Permissible combinations**

Encapsulation / Length	Std. encap.	Th.-encap.	Windings code		
			A	B	C
<b>K</b>		<b>S</b>	X	X	-
<b>L</b>		<b>T</b>	X	X	X
<b>M</b>		<b>U</b>	X	X	X
<b>N</b>		<b>V</b>	-	X	X

**Illustration example: Linear motor LSF**



- A** Secondary part LSS
- B** Primary part LSP (Standard encapsulation or Thermo-encapsulation)
- C** Position of power connection right, below
- D** Screw mounting (from above)

"Schutzvermerk DIN 34 beachten" - "Copyright reserved"

Doc: INN-41-42-T16-01-M06-LSP:fh8

**Rexroth Indramat GmbH**

Bgm.-Dr.-Nebel-Straße 2 • D-97816 Lohr a. Main  
Telephone (0 93 52) 40-0 • Telefax (0 93 52) 40-48 85

revised: NM, Weißbeck  
proved: NM, Ehm  
draw up in: FreeHand 8.0

