

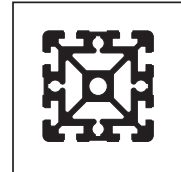
## BRL SIS (Sales Information Service)

Issued by:

Bosch Rexroth Corporation • 816 East Third St., Buchanan, MI 49107 • 269-695-0151

Date:

06-06-2005



PB-MGE05-05 US

### Product Bulletin – Aluminum Structural Framing

## Updates and Corrections to the MGE Catalog v.4.0

Ongoing product globalization has caused some items in the MGE Catalog v.4.0 to change. The following list reflects the latest changes and corrections to the catalog. Please make a note of them in your catalog or go to [www.boschrexroth-us.com/framingshop](http://www.boschrexroth-us.com/framingshop) and click on the updates tab to download the updated pages.

**Page 2-30:** New machined options have been added to 45x45HR profile. They are:  
45x45HR, M12/M12, specify length  $\geq 110\text{mm} \leq 5600\text{mm}$ , part number 3 842 992 999/\_mm  
45x45HR, -/M12, specify length  $\geq 55\text{mm} \leq 5600\text{mm}$ , part number 3 842 993 001/\_mm

**Page 2-32:** New machined options have been added to 45x60H profile. They are:  
45x60H, D17LF/D17LF, specify length  $\geq 80\text{mm} \leq 6000\text{mm}$ , part number 3 842 993 085/\_mm

**Page 2-33:** New machined options have been added to 45x90 profile. They are:  
45x90, D17LF/D17LF, specify length  $\geq 80\text{mm} \leq 6000\text{mm}$ , part number 3 842 993 084/\_mm

**Page 2-34:** New machined options have been added to 45x90H profile. They are:  
45x90H, M16/M16, specify length  $\geq 240\text{mm} \leq 6000\text{mm}$ , part number 3 842 990 304/\_mm

**Page 2-42:** New machined options have been added to 60x90H profile. They are:  
60x90H, F1VS/F1, specify length  $\geq 110\text{mm} \leq 6000\text{mm}$ , part number 3 842 990 481/\_mm

**Page 2-46:** The maximum length on all 90x90 profiles should be 5600mm not 6000mm.

**Page 2-47:** New machined options have been added to 90x90H profile. They are:  
90x90H, M16-D22/M16-D22, specify length  $\geq 240\text{mm} \leq 6000\text{mm}$ , part number 3 842 993 083/\_mm

**Page 2-55:** 22.5x45x45 profile is obsolete and no longer available. Also, note this on the chart on pg. 2-5.

**Page 4-1:** The tightening torque on M8, 10mm T-nuts should read 20Nm rather than 25Nm.

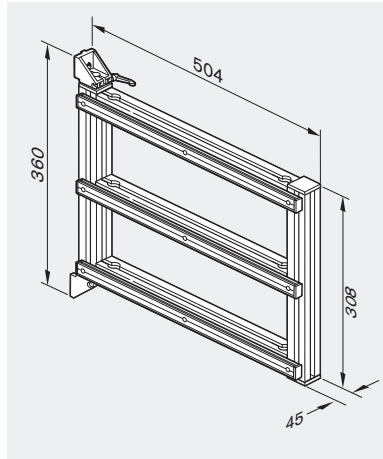
**Page 5-3:** The die-cast aluminum end stop (part number 3 842 191 194) is no longer black powder coated. Please note this under the material column.

**Page 6-12:** The part number for the spring clamp pictured on this page was inadvertently omitted. The part number is 3 842 525 014.

**Page 7-10 & 7-11:** The leveling washer part number has changed to 3 842 528 189. Also, on pg. 7-11 the dimensions of the footplate, under the description column, should be 150x150x120 and not 120x120x110.

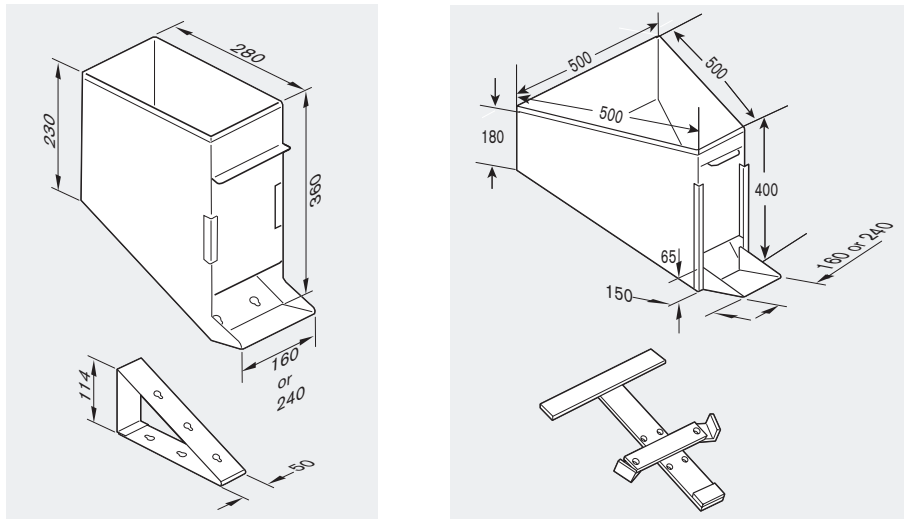
**Page 9-3:** Black, 4mm thick, 50x150 end caps are available as part number 3 842 529 052. Please make a note that two 50x50 end caps (part number 3 842 528 969) are used for 50x100mm applications. Also change the material for Heavy Duty Ends Caps from polyamide 6 to die-cast zinc.

**Page 11-12:** Please change the bin wing height dimension from 215 to 360, as shown.



**Page 11-17:** Part Number 3 842 526 646 has changed to 3 842 526 676. Part Number 3 842 526 647 has changed to 3 842 526 677. Part Number 3 842 526 648 has changed to 3 842 526 678.

**Page 11-19:** Reference dimensions have been added to the silo drawings as shown.



**Page 11-26:** Part Number 3 842 517 165, removable transparent sleeve, has changed to 3 842 516 813.

**Page 12-3:** All locking levers are M8, not M6 as indicated. The Star Knob descriptions do not change.

**Page 13-6:** The description for part number 8 981 535 891 should be 8mm bearing shim, 0.1mm thick. Please change the 38mm to 8mm.

**Section 18:** The Product Part Numbering Index has been updated with the part numbers and cross references in this product bulletin. If you need an updated version of the index, go to [www.boschrexroth-us.com/framingshop](http://www.boschrexroth-us.com/framingshop) and click on the updates tab to download the updated pages.