

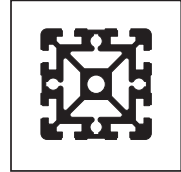
BRL SIS (Sales Information Service)

Issued by:

Bosch Rexroth Corporation • 816 East Third St., Buchanan, MI 49107 • 269-695-0151

Date:

10.12.06

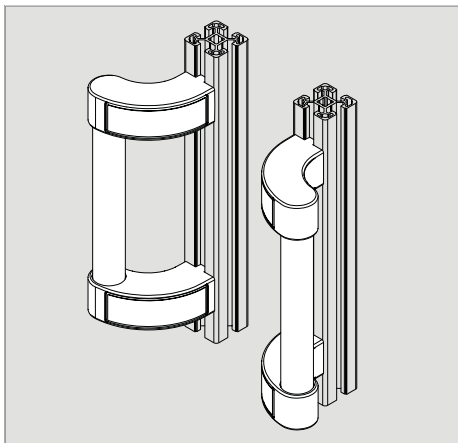


PB-MGE10-06 US

Product Bulletin – Aluminum Structural Framing

Safety Handle for Double Doors

Safety Handle designed specifically for use with double doors. The handle's design eliminates any possibility of a pinch point at the point of use. The handle mounts quickly with t-nuts and screws. No additional machining is required. All necessary hardware for mounting is supplied with the handle. The sturdy anodized aluminum handle with the heavy duty polyamide mounts provides an esthetically pleasing finish to double door applications.

**Part number: 3842536556****List Price: \$ 22.50**