

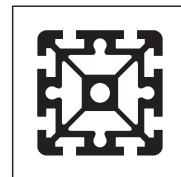
BRL SIS (Sales Information Service)

Issued by:

Bosch Rexroth Corporation • 816 East Third St., Buchanan, MI 49107 • 269-695-0151

Date:

5-11-06



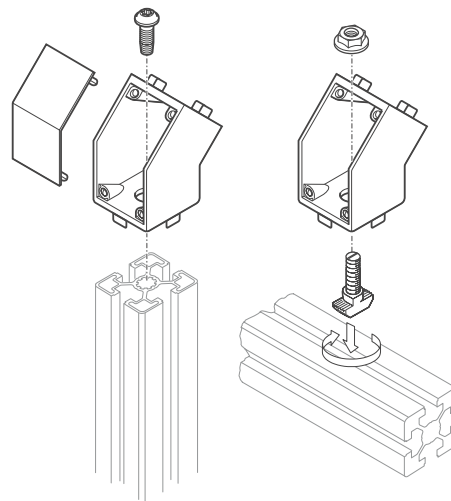
PB-MGE05-06 US

Product Bulletin – Aluminum Structural Framing**45° Angle Connector in a Uniform Design**

Introducing the new 45° angle connector, part no. 3842 535 428, designed for the 45 mm profile. Made from diecast aluminum, the new connector matches the design of models for 30 and 40 mm profiles. This new unit replaces part no. 3842 518 425 and will be the direct replacement for the old connector which is being phased out.

The new 45° connector is easy to mount, and includes all hardware required for end-to-end or end-to-side profile attachment. Assembly is fast and requires no machining of the profile. Not only does it look better and is easier to mount, the new 45° connector is also lower priced.

The list price for the new 45° Angle Connector includes fastening hardware and a cover cap.



Description	Lot Size	Price	Part Number
45° Angle Connector, includes hardware and cover cap	1	\$11.96 each	3842 535 428

NOTE:

Functional dimensions have changed for this new connector. Please refer to the back of this sheet for a comparison of the old 45° Angle Connector vs. the new 45° Angle Connector. Complete dimensional information is also supplied on the back of this sheet to help you with your design and assembly work!

The current 45° angle connector 3842 518 425 will be phased out and any remaining stock will be sold off. Once inventory has been depleted, part no. 3842 518 425 will no longer be available.



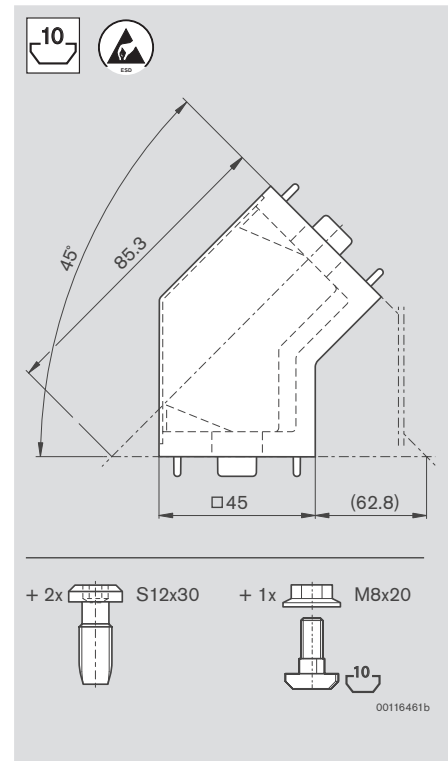
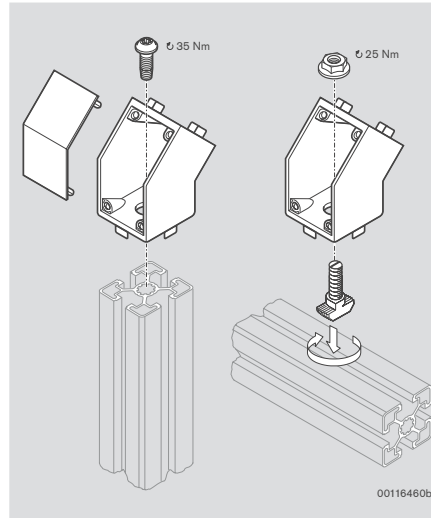
45x45

The 45° angle connector can be used to easily make a strong connection between profiles at an angle of 45°, e.g. diagonal reinforcement struts.

All necessary hardware to complete the connection is included.

Material:

- diecast aluminum
- cap: black PA



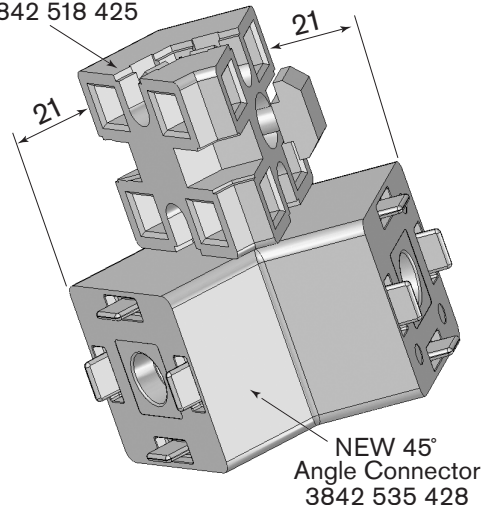
Description	Part No.
45x45 Angle Connector	3 842 535 428

Please Note Important Product Design Information

NOTE:

Each leg of the new 45° Angle Connector is approximately 21 mm longer than the old style connector that it replaces

Old Style 45°
Angle Connector
3842 518 425



NEW 45°
Angle Connector
3842 535 428