

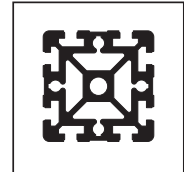
BRL SIS (Sales Information Service)

Issued by:

Bosch Rexroth Corporation • 816 East Third St., Buchanan, MI 49107 • 269-695-0151

Date:

5-4-2006



PB-MGE08-06 US

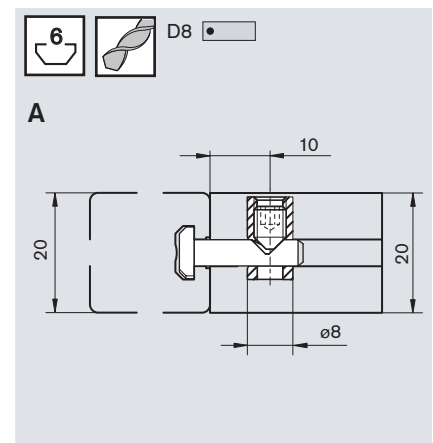
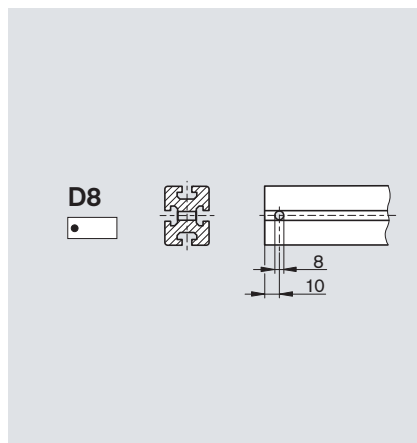
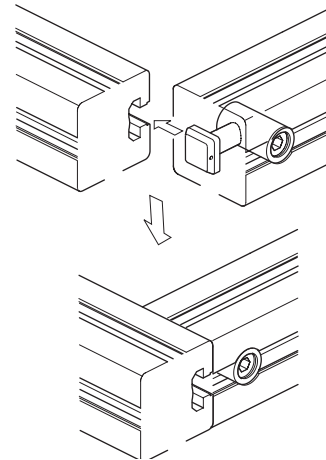
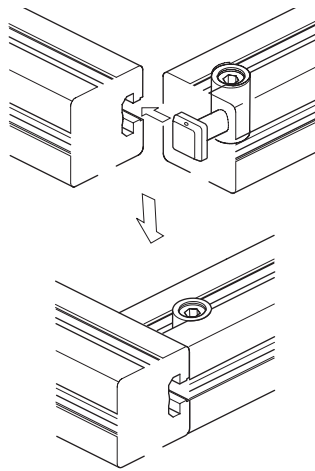
Product Bulletin – Aluminum Structural Framing

New 20 Series Connector

A new 20 Series Quick Connector is now available. This connector has a square T-head that allows easy positioning in the T-slot. The required 8mm through hole is easily positioned using our new 20 series drill jig, Part No. 3842 537 556.

The 20 Series Quick Connector must be purchased in lot sizes of 10 (i.e. 10, 20, 30, etc.).

If you should have any questions or need additional information please call Rexroth at 269-695-0151 or contact your local Aluminum Framing Distributor.



Description	Lot Size	Price	Part Number
20mm Quick Connector	10	\$2.95 each	3842 537 013