

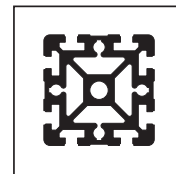
## BRL SIS (Sales Information Service)

Issued by:

Bosch Rexroth Corporation • 816 East Third St., Buchanan, MI 49107 • 269-695-0151

Date:

5-4-2006



### Product Bulletin – Aluminum Structural Framing

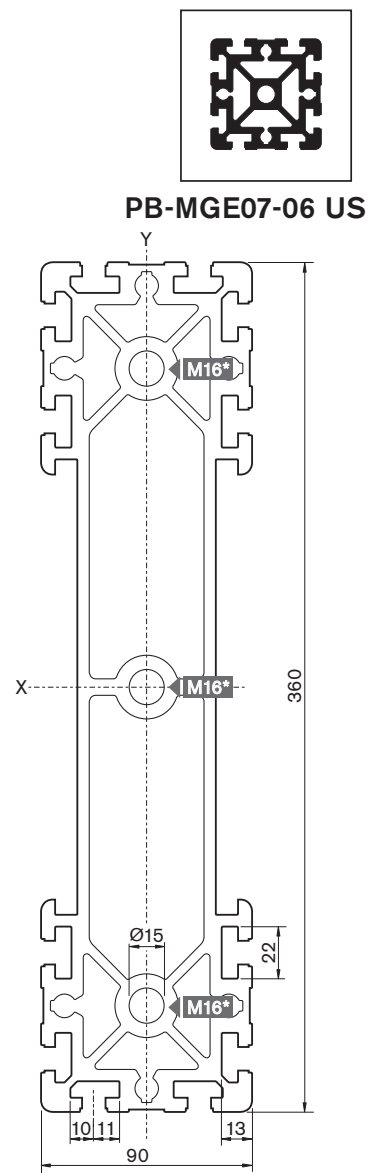
## New 90x360H Profile

Rexroth 90x360H profile has always consisted of two halves that were clamped together with two extruded aluminum strips. The 90x360H Profile has been redesigned and is now available as a solid extruded aluminum profile. This change takes effect immediately. Because of the extent of the change, new part numbers have also been assigned for some of the machining options. The balance of the machining options retain the old part numbers. Pricing for 90x360H profile has not changed.

In addition, the single stick number, 3842500215, has been eliminated. Effective immediately all 90x360H Profile will be sold only in cut lengths. The maximum cut length is changed from 5000mm to 6000mm. The following list reflects the complete 90x360H Profile product offering. Please update page 2-50 of your Aluminum Structural Framing System Catalog Version 4.0 with these new part numbers.

If you should have any questions or need additional information please call Rexroth at 269-695-0151 or contact your local Aluminum Framing Distributor.

Technical Data		Old	New
Moment of inertia	$I_x$ [cm <sup>4</sup> ]	14520	14065
	$I_y$ [cm <sup>4</sup> ]	683	710
Section Modulus	$W_x$ [cm <sup>3</sup> ]	807	781
	$W_y$ [cm <sup>3</sup> ]	152	157
Weight	m[kg/m]	26.70	24.4



PB-MGE07-06 US

Description	End Finish	Old Part Number	New Part Number
Profile 90x360H, -/-, specify length $\geq 50\text{mm} \leq 6000\text{mm}$		3842990550	3842993434/ __mm
Profile 90x360H, M16/-, specify length $\geq 240\text{mm} \leq 6000\text{mm}$		3842990551	3842990551/ __mm
Profile 90x360H, M16/D22, specify length $\geq 120\text{mm} \leq 6000\text{mm}$		3842992379	3842992379/ __mm
Profile 90x360H, M16/M16, specify length $\geq 240\text{mm} \leq 6000\text{mm}$		3842990552	3842993435/ __mm
Profile 90x360H, M16-D22/M16-D22, specify length $\geq 240\text{mm} \leq 6000\text{mm}$		3842992380	3842992380/ __mm
Profile 90x360H, F2/F2, specify length $\geq 110\text{mm} \leq 6000\text{mm}$		3842990557	3842993436/ __mm