

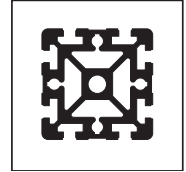
BRL SIS (Sales Information Service)

Issued by:

Bosch Rexroth Corporation • 816 East Third St., Buchanan, MI 49107 • 269-695-0151

Date:

01-20-2005



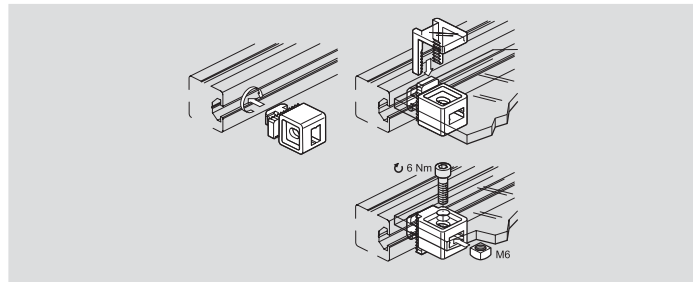
PB-MGE02-05 US

Product Bulletin – Aluminum Structural Framing

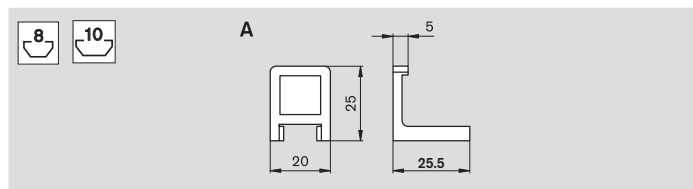
VarioFix Block Part Number Changes

The manner in which VarioFix Blocks are made available has changed. You must now purchase the VarioFix Block and Plastic Clip separately.

3 842 529 287 10 mm VarioFix Block has been replaced by **3 842 529 239** and **3 842 184 738**

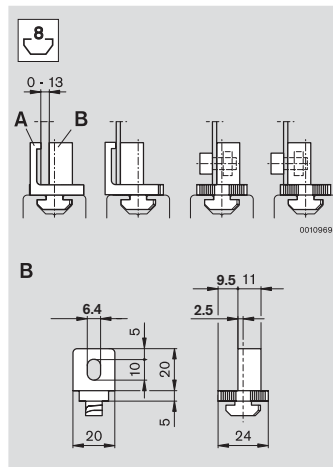


3 842 506 267 8 mm VarioFix Block has been replaced by **3 842 535 696** and **3 842 184 738**.

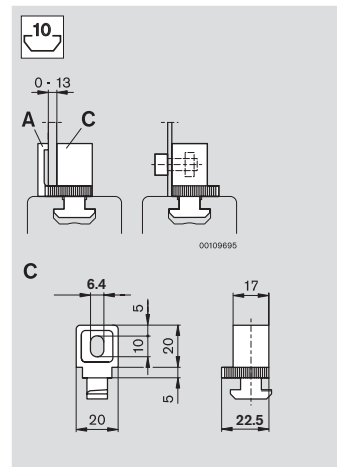


	Part Number
A	3 842 184 738

Please make a note of these changes when placing an order. Limited quantities of the old style VarioFix Blocks are still available.



	Part Number
B	3 842 535 696



	Part Number
C	3 842 529 239