

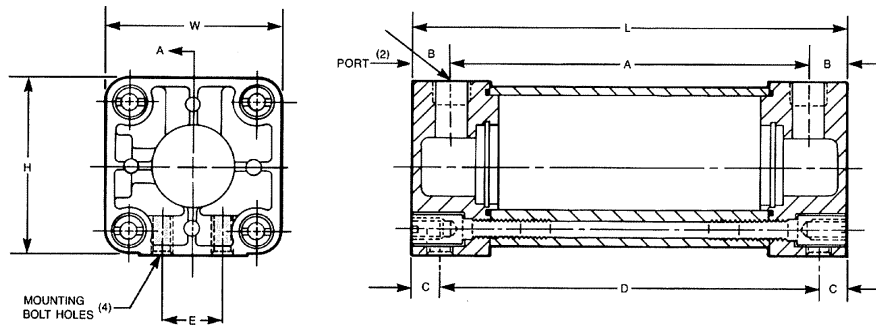
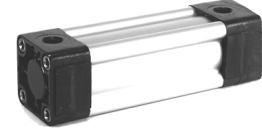
Taskmaster® Pneumatic Cylinder

Pneumatic Timing Volumes

Rexroth
Bosch Group

Pneumatic Timing Volumes

REXROTH offers a wide range of timing volumes for a variety of pneumatic system uses. These volumes are rated at 200 psi maximum working pressure with a 5 to 1 safety factor. They are constructed of light weight corrosion resistant anodized aluminum ends and tubing. Two ports are threaded mounting holes are provided.



Volume Capacity (cu. in.)	Overall Size			Dimensions (Ports)			Mounting Holes				Part	
	H	W	L	Thread*	A	B	Thread	C	D	E	Number	Weight
5	2	2	5-5/16	1/4-18	4-3/16	9/16	1/4-20	7/16	4-7/16	5/8	P -061890-00005	1 lb.
8	2	2	7-1/16	1/4-18	5-15/16	9/16	1/4-20	7/16	6-3/16	5/8	P -061890-00008	1.25 lbs.
8	3	3	4-5/16	1/4-18	3-3/16	9/16	3/8-16	7/16	3-7/16	1-1/4	P -061891-00008	1.8 lbs.
12	2	2	9-5/16	1/4-18	8-3/16	9/16	1/4-20	7/16	8-7/16	5/8	P -061890-00012	1.5 lbs.
12	3	3	5-3/16	1/4-18	4-1/16	9/16	3/8-16	7/16	4-5/16	1-1/4	P -061891-00012	2 lbs.
20	2	2	13-13/16	1/4-18	12-11/16	9/16	1/4-20	7/16	12-15/16	5/8	P -061890-00020	2 lbs.
20	3	3	6-13/16	1/4-18	5-11/16	9/16	3/8-16	7/16	5-15/16	1-1/4	P -061891-00020	2.3 lbs.
20	4-1/2	4-1/2	4-1/8	3/8-18	1-7/8	9/16	1/2-13	9/16	3	2-1/16	P -058887-00020	3.8 lbs.
30	3	3	8-13/16	1/4-18	7-11/16	9/16	3/8-16	7/16	7-15/16	1-1/4	P -061891-00030	2.6 lbs.
30	4-1/2	4-1/2	4-7/8	3/8-18	2-5/8	9/16	1/2-13	9/16	3-3/4	2-1/16	P -058887-00030	4.1 lbs.
45	3	3	11-15/16	1/4-18	10-13/16	9/16	3/8-16	7/16	11-1/16	1-1/4	P -061891-00045	3.2 lbs.
45	4-1/2	4-1/2	6-1/8	3/8-18	3-7/8	9/16	1/2-13	9/16	5	2-1/16	P -058887-00045	4.7 lbs.
60	4-1/2	4-1/2	7-1/4	3/8-18	5	9/16	1/2-13	9/16	6-1/8	2-1/16	P -058887-00060	5.2 lbs.
80	4-1/2	4-1/2	8-3/4	3/8-18	7	9/16	1/2-13	9/16	8-1/8	2-1/16	P -058887-00080	5.8 lbs.
100	4-1/2	4-1/2	10-1/2	3/8-18	8-1/4	9/16	1/2-13	9/16	9-3/8	2-1/16	P -058887-00100	6.6 lbs.
225	4-1/2	4-1/2	20-3/8	3/8-18	18-1/8	9/16	1/2-13	9/16	19-1/4	2-1/16	P -058887-00225	10.9 lbs.

*NPT ports.

Other sizes available, contact factory.