

Section 8 Compact Bodies

RA 09 907/07.04

The Drive & Control Company

Compact Bodies Features

- Aluminum and ductile iron
- SAE, BSPP, or NPT porting



Section 8 Index

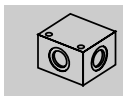
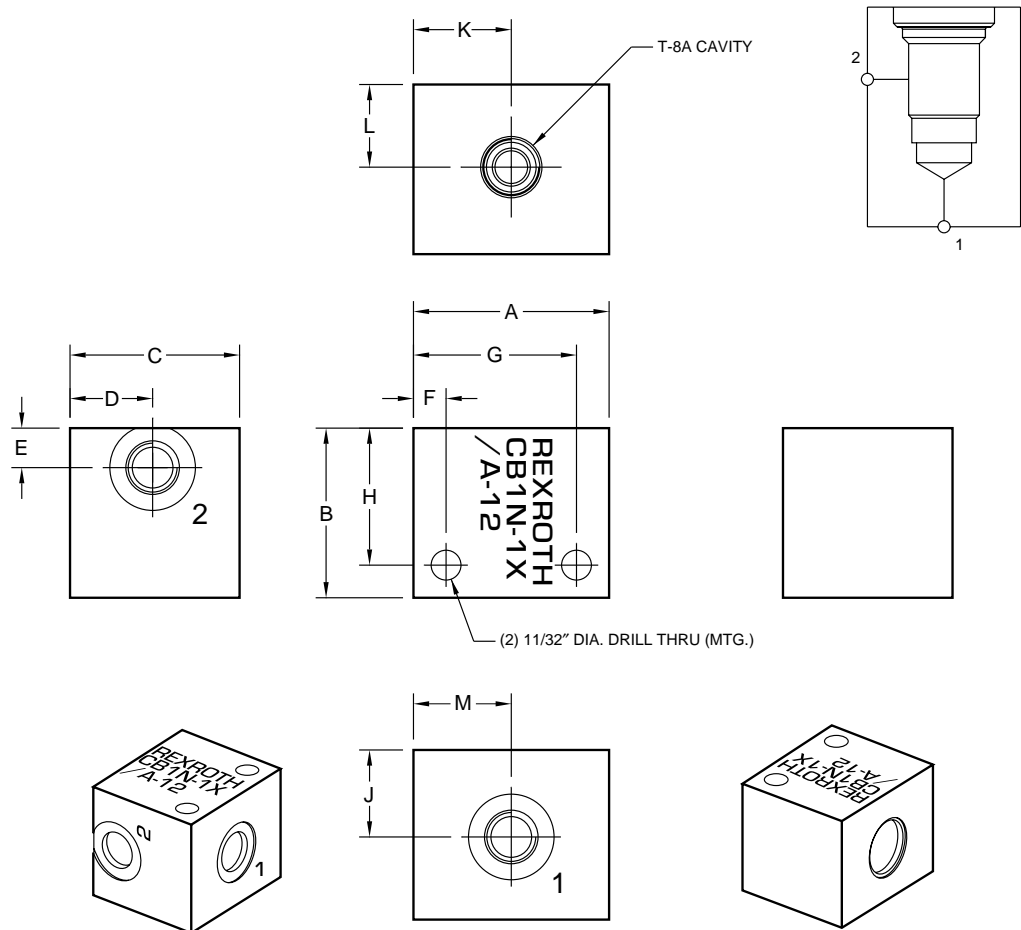
Description	Page
T-8A Cavity	93
T-11A Cavity	94
T-13A Cavity	95
T-31A Cavity	96
T-162A Cavity	97

Compact Bodies T-8A Cavity

	CB1	-	XX	/	-	
Flow						
Low			= L			12 =
Normal			= N			05 =
Revision			= XX			01 =

Ports	
SAE Threaded Ports	
NPT Threaded Ports	
BSP Threaded Ports	
Material	
Aluminum 6061-T6, 3000 psi	
Ductile Iron ¹ 65-45-12, 5000 psi	

A =	
D =	



Port type	1 & 2 Ports			Aluminum	Ductile
	12	05	01		
CB1L-1X/...	7/16-20 SAE-4	—	—	0.8	2.2
CB1N-1X/...	9/16-18 SAE-6	NPT 1/4"	G (BSP) 1/4"	0.8	2.2

Dimension	A	B	C	D	E	F	G	H	J	K	L	M
CB1...	2.25	1.95	1.95	0.95	0.45	0.38	1.88	1.58	1.00	1.13	0.95	1.13

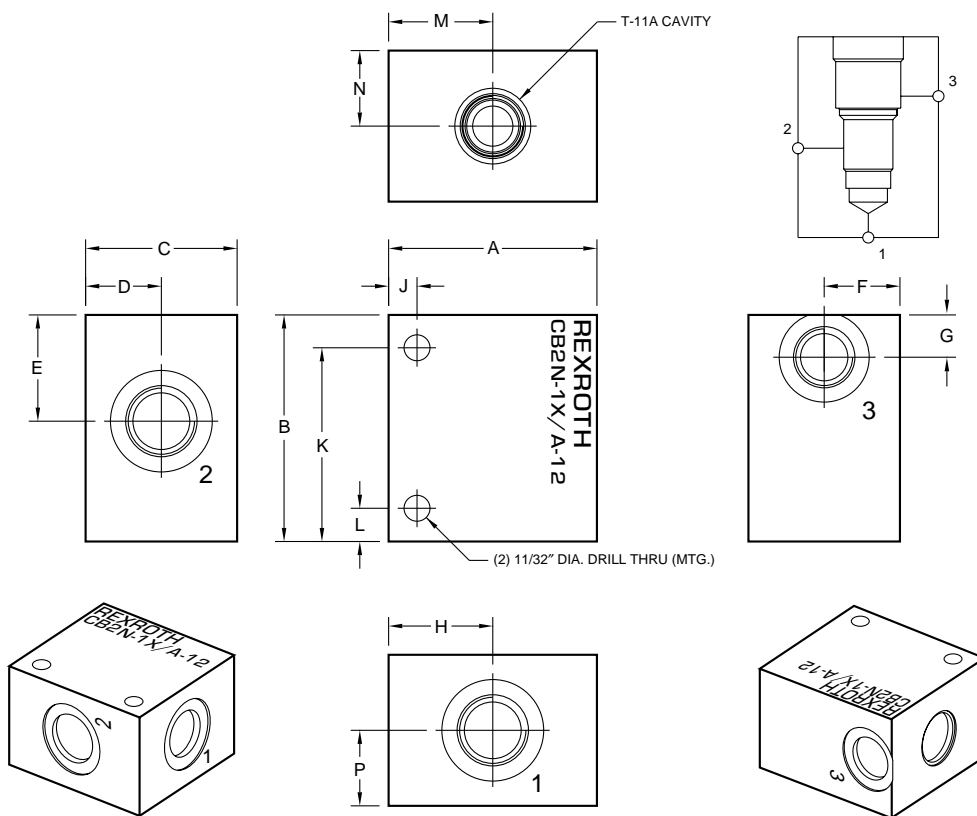
Mounting hardware is NOT supplied.

1) Blackening

All dimensions in inches

Compact Bodies T-11A Cavity

Flow	XX = L = N = H = X	12 = 05 = 01 =	Ports
Low			SAE Threaded Ports
Normal			NPT Threaded Ports
High			BSP Threaded Ports
Extra High			
Revision	= XX	A = D =	Material
			Aluminum 6061-T6, 3000 psi Ductile Iron ¹ 65-45-12, 5000 psi



Port type	1 & 2 Ports			3 Port			Aluminum	Ductile
	12	05	01	12	05	01		
CB2L-1X/...	7/16-20 SAE-4	—	—	7/16-20 SAE-4	—	—	1.6	4.2
CB2N-1X/...	9/16-18 SAE-6	NPT 1/4"	G (BSP) 1/4"	9/16-18 SAE-6	NPT 1/4"	G (BSP) 1/4"	1.6	4.2
CB2H-1X/...	3/4-16 SAE-8	NPT 3/8"	G (BSP) 3/8"	3/4-16 SAE-8	NPT 3/8"	G (BSP) 3/8"	1.6	4.2
CB2X-1X/...	7/8-14 SAE-10	NPT 1/2"	G (BSP) 1/2"	3/4-16 SAE-8	NPT 1/2"	G (BSP) 1/2"	1.6	4.2

Dimension	A	B	C	D	E	F	G	H	J	K	L	M	N	P
CB2...	2.75	2.95	1.95	1.00	1.41	1.00	0.56	1.38	0.38	2.57	0.44	1.38	1.00	1.00

Mounting hardware is NOT supplied.

1) Blackening

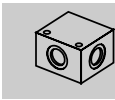
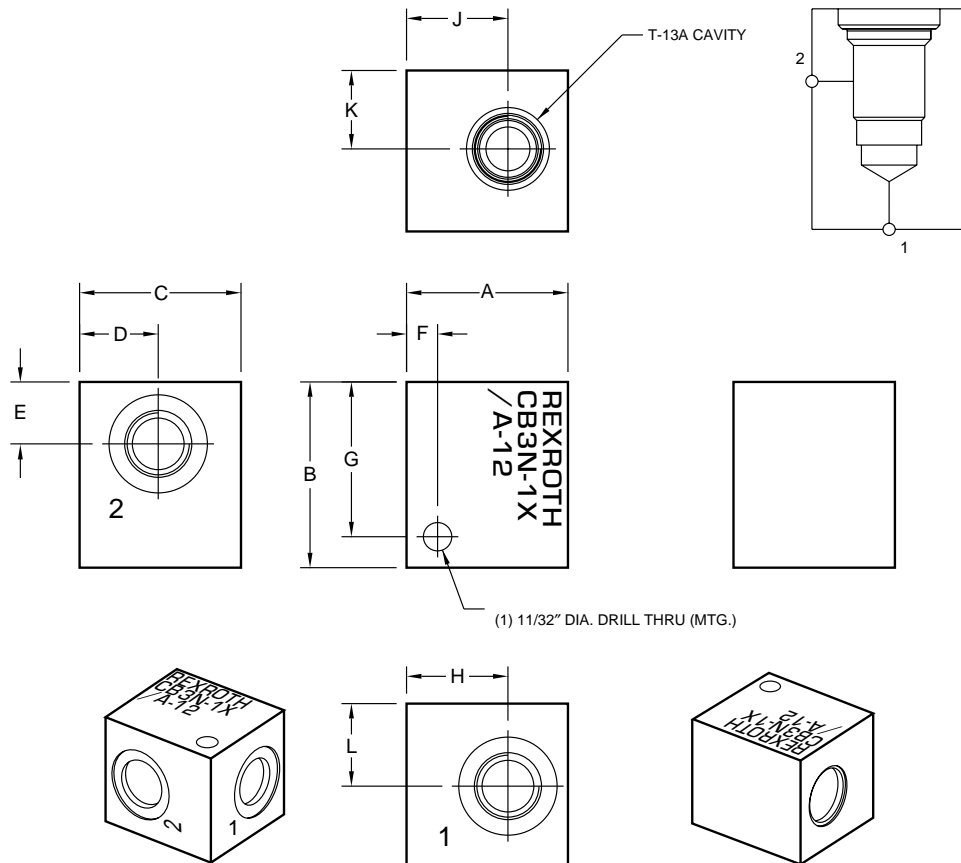
All dimensions in inches

Compact Bodies T-13A Cavity

Flow				
Low	= L			
Normal	= N			
High	= H			
Revision		= XX		

Ports	
12 =	SAE Threaded Ports
05 =	NPT Threaded Ports
01 =	BSP Threaded Ports

Material	
A =	Aluminum 6061-T6, 3000 psi
D =	Ductile Iron ¹ 65-45-12, 5000 psi



Port type	1 & 2 Ports			Aluminum	Ductile
	12	05	01		
CB3L-1X/...	7/16-20 SAE-4	—	—	0.8	2.2
CB3N-1X/...	9/16-18 SAE-6	NPT 1/4"	G (BSP) 1/4"	0.8	2.2
CB3H-1X/...	3/4-16 SAE-8	NPT 3/8"	G (BSP) 3/8"	0.8	2.2

Dimension	A	B	C	D	E	F	G	H	J	K	L
CB3...	1.95	2.25	1.95	0.95	0.75	0.38	1.88	1.23	1.23	0.95	1.00

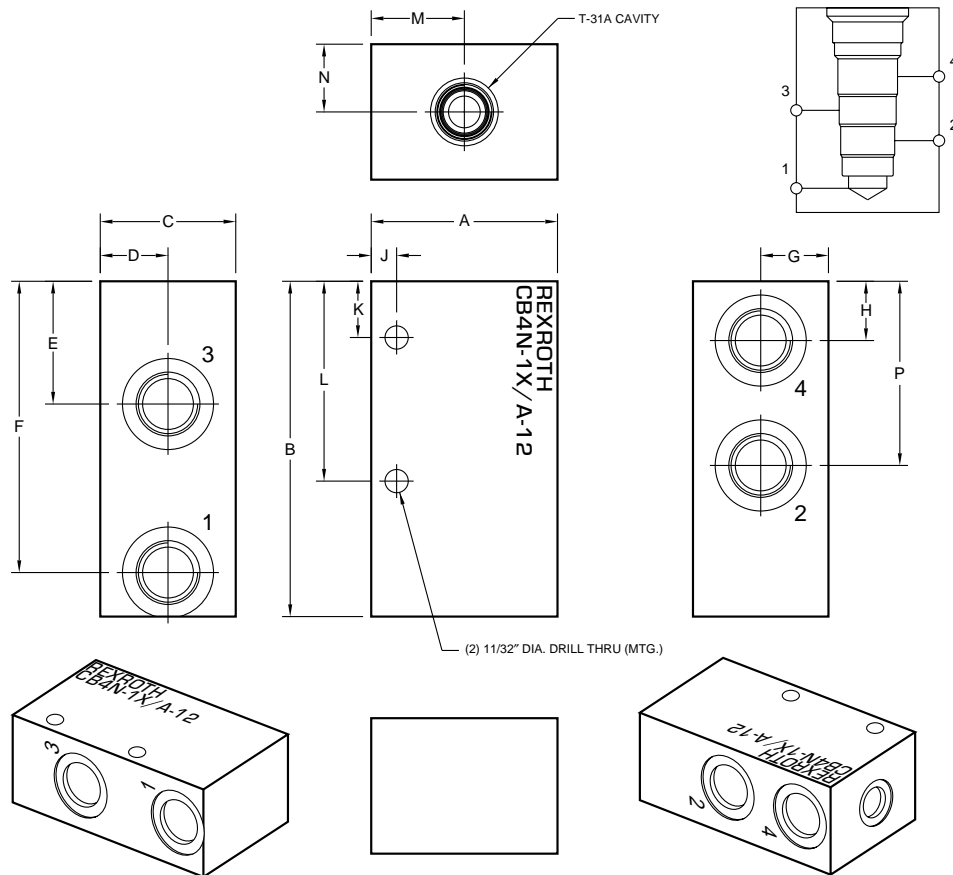
Mounting hardware is NOT supplied.

1) Blackening

All dimensions in inches

Compact Bodies T-31A Cavity

Flow	= N = H = X	12 = 05 = 01 =	Ports SAE Threaded Ports NPT Threaded Ports BSPP Threaded Ports
Normal			
High			
Extra High			
Revision	= XX		
		A =	Aluminum 6061-T6, 3000 psi
		D =	Ductile Iron ¹ 65-45-12, 5000 psi



Port type	1, 2, 3, 4 Ports			Aluminum	Ductile
	12	05	01		
CB4N-1X/...	9/16-18 SAE-6	NPT 1/4"	G (BSP) 1/4"	2.6	7.0
CB4H-1X/...	3/4-16 SAE-8	NPT 3/8"	G (BSP) 3/8"	2.6	7.0
CB4H-1X/...	7/8-14 SAE-10	NPT 1/2"	G (BSP) 1/2"	2.6	7.0

Dimension	A	B	C	D	E	F	G	H	J	K	L	M	N	P
CB4...	2.75	4.95	1.95	1.00	1.81	4.30	1.00	0.88	0.38	0.83	2.95	1.38	1.00	2.72

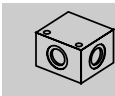
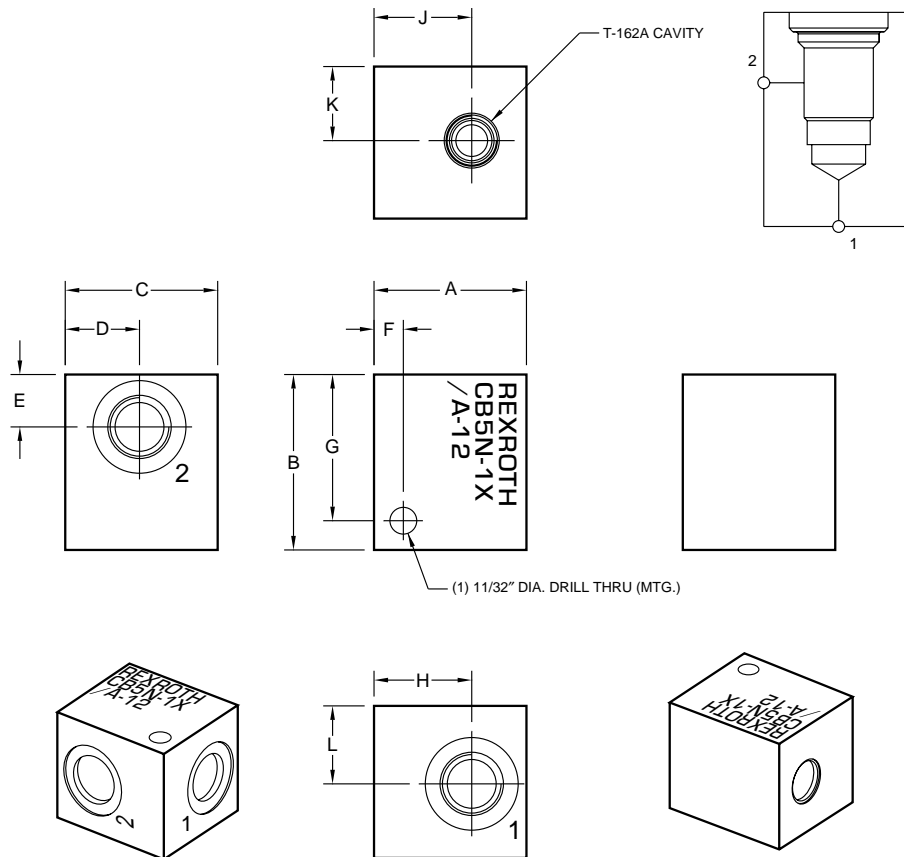
Mounting hardware is NOT supplied.

1) Blackening

All dimensions in inches

Compact Bodies T-162A Cavity

Flow Low Normal High	= L	12 = 05 = 01 =	Ports SAE Threaded Ports NPT Threaded Ports BSP Threaded Ports
	= N		
	= H		
Revision	= XX	A =	Aluminum 6061-T6, 3000 psi
		D =	Ductile Iron ¹ 65-45-12, 5000 psi



Port type	1 & 2 Ports			Aluminum	Ductile
	12	05	01		
CB5L-1X/...	7/16-20 SAE-4	—	—	0.8	2.2
CB5N-1X/...	9/16-18 SAE-6	NPT 1/4"	G (BSP) 1/4"	0.8	2.2
CB5H-1X/...	3/4-16 SAE-8	NPT 3/8"	G (BSP) 3/8"	0.8	2.2

Dimension	A	B	C	D	E	F	G	H	J	K	L
CB5...	1.95	2.25	1.95	0.95	0.87	0.38	1.88	1.25	1.25	0.95	1.00

Mounting hardware is NOT supplied.

1) Blackening

All dimensions in inches

