

Section 3 Coverplates

RA 09 907/07.04

The Drive & Control Company

Coverplate Features

- Sizes 6 to 22
- Aluminum and ductile iron
- Includes mounting kit

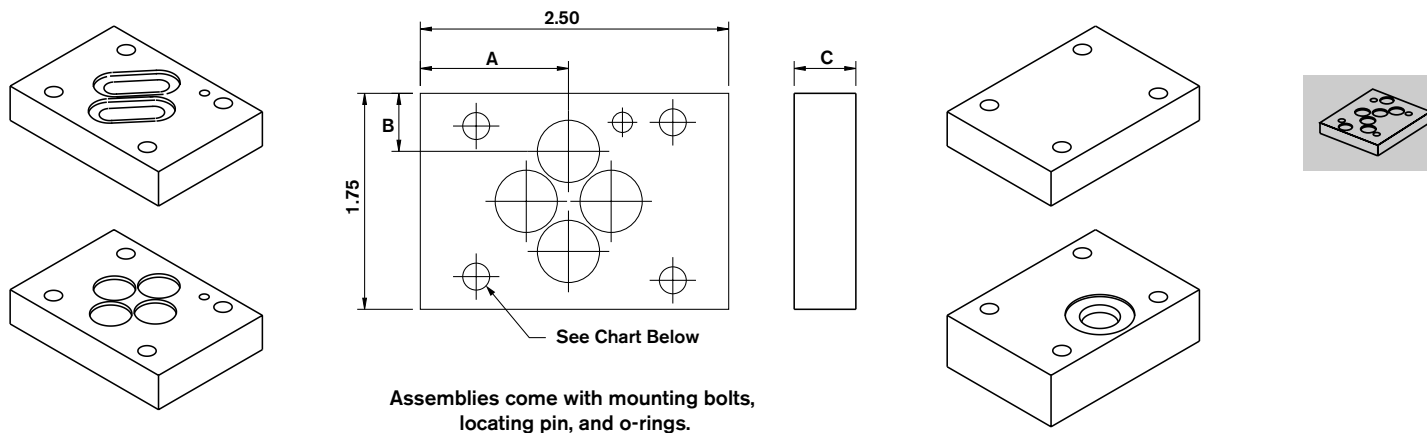


Section 3 Index

Description	Page
Coverplate D03 (Size 6)	45
Coverplate D05 (Size 10)	46
Coverplate D07 (Size 16)	47
Coverplate D08 (Size 22)	48

Coverplate D03 (Size 6)

	CP6		N	H	XX		
Internal Connections							
Parallel P-A & T-B	= P						
Series	= S						
Crossover	= C						
Parallel Circuit (All Ports Blocked)	= N						
Additional Ports							
No Ports		= N					
Ductile Iron ¹ 65-45-12, 9137 psi				= H			
						01 =	
						12 =	
					A =		Mounting Bolts
					D =		Metric
							SAE
							Material
							Aluminum 6061-T6, 3000 psi
							Ductile Iron ¹ 65-45-12, 5000 psi
							Revision



Model	Approx. Weight lbs. Alum / Duct	Dimensions			Thru hole Ø	Mounting Bolts	O-Ring	Schematic
		A	B	C				
CP6NN...-12	0.2 / 0.5	1.30	0.47	0.50	0.218	10-24 x .75 SHCS	2-012	
CP6NN...-01						M5 x 20mm SHCS		
CP6NNH...	0 / 0.8	1.102	0.494	0.75	0.281	1/4-20 x 1.25 SHCS		
CP6NP...-12	0.3 / 0.8	1.30	0.47	0.75	0.218	10-24 x 1.0 SHCS	2-012	
CP6NP...-01						M5 x 25mm SHCS		
CP6PN...-12	0.2 / 0.5	1.25	0.47	0.50	0.218	10-24 x .75 SHCS	2-017	
CP6PN...-01						M5 x 20mm SHCS		
CP6SN...-12	0.3 / 0.8	1.30	0.47	0.75	0.218	10-24 x 1.0 SHCS	2-012	
CP6SN...-01						M5 x 25mm SHCS		
CP6CN...-12	0.2 / 0.5	1.25	0.47	0.50	0.218	10-24 x .75 SHCS	2-017	
CP6CN...-01						M5 x 20mm SHCS		

1) Blackening

All dimensions in inches

Coverplate D07 (Size 16)

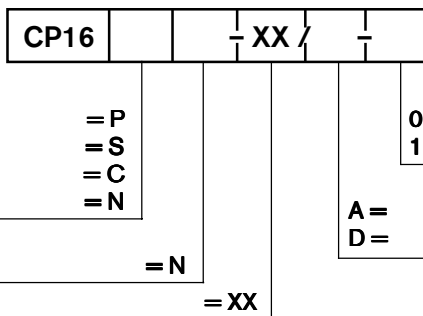
Internal Connections

- Parallel P-A & T-B
- Series
- Crossover
- Parallel Circuit (All ports blocked)

Additional Ports

- No Ports

Revision



01 =
12 =

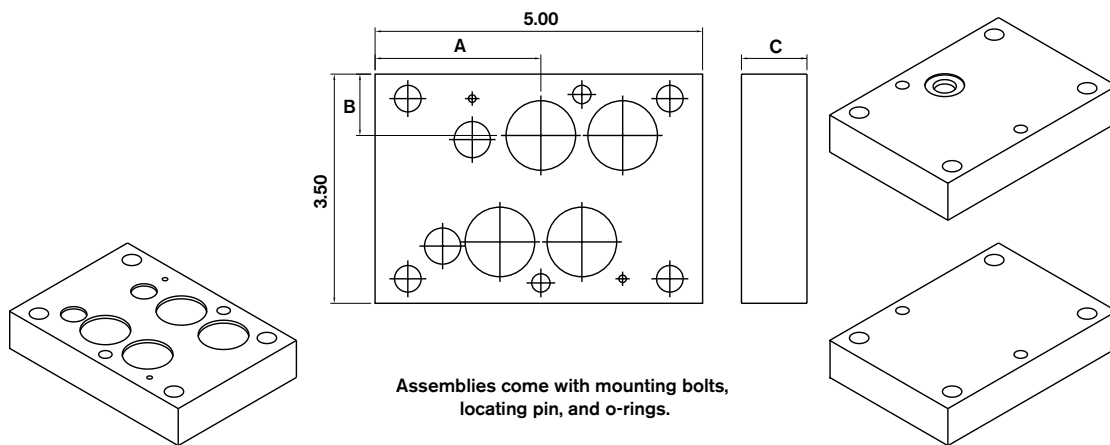
Mounting Bolts

- Metric
- SAE

Material

- Aluminum 6061-T6, 3000 psi
- Ductile Iron¹ 65-45-12, 5000 psi

A =
D =



Model	Approx. Weight lbs. Alum / Duct	Dimensions			Thru Hole Mounting	Mounting Bolts	O-Ring	Schematic
		A	B	C				
CP16NN...-12	1.6 / 4.3	2.53	0.94	0.95	(2x)	1/4-20 x 1.50 SHCS	22 x 2.5mm	
CP16NN...-01					0.281	3/8-16 x 1.50 SHCS	(P,T,A,B)	
CP16NP...-12	1.6 / 4.3	2.53	0.94	0.95	(2x)	1/4-20 x 1.50 SHCS	22 x 2.5mm	
CP16NP...-01					0.281	3/8-16 x 1.50 SHCS	(P,T,A,B)	
CP16PN...-12	3.7 / 10	2.53	0.94	2.20	(2x)	1/4-20 x 2.75 SHCS	22 x 2.5mm	
CP16PN...-01					0.281	3/8-16 x 2.75 SHCS	(P,T,A,B)	
CP16SN...-12	2.4 / 6.5	2.53	0.94	1.45	(2x)	1/4-20 x 2.00 SHCS	22 x 2.5mm	
CP16SN...-01					0.281	3/8-16 x 2.00 SHCS	(P,T,A,B)	
CP16CN...-12	2.9 / 7.7	2.53	0.94	1.70	(2x)	1/4-20 x 2.25 SHCS	22 x 2.5mm	
CP16CN...-01					0.281	3/8-16 x 2.25 SHCS	(P,T,A,B)	
					(4x)	M6 x 25mm SHCS	10 x 2mm	
					0.406	M10 x 40mm SHCS	(X,Y)	
					0.406	M10 x 70mm SHCS	(X,Y)	
					0.281	3/8-16 x 2.00 SHCS	(P,T,A,B)	
					(4x)	M6 x 50mm SHCS	10 x 2mm	
					0.406	M10 x 50mm SHCS	(X,Y)	
					0.281	3/8-16 x 2.25 SHCS	(P,T,A,B)	
					(4x)	M6 x 55mm SHCS	10 x 2mm	
					0.406	M10 x 55mm SHCS	(X,Y)	

1) Blackening

All dimensions in inches

