

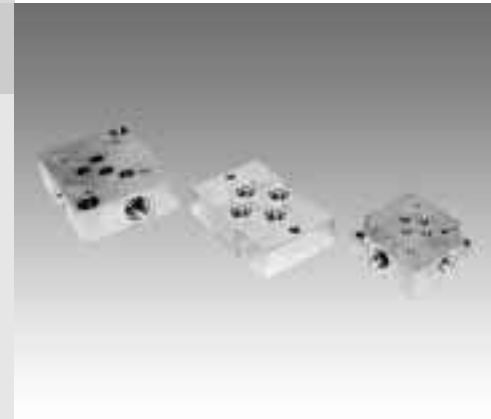
Section 2 Subplates

RA 09 907/07.04

The Drive & Control Company

Subplate Features

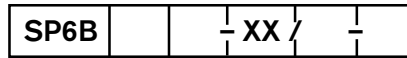
- Sizes 6 to 22
- Aluminum and ductile iron
- Side or bottom ported
- SAE, BSPP, or NPT porting
- Includes mounting kit for the subplate



Section 2 Index

Description	Page
Subplate D03 (Size 6) Bottom Ported	33
Subplate D05 (Size 10) Bottom Ported	34
Subplate D07 (Size 16) Bottom Ported	35
Subplate D08 (Size 22/25) Bottom Ported	36
Subplate D10 (Size 32) Bottom Ported	37
Subplate D03 (Size 6) Side Ported	38
Subplate D05 (Size 10) Side Ported	39
Subplate D07 (Size 16) Side Ported	40
Subplate D08 (Size 22) Side Ported	41

Subplates D03 (Size 6) Bottom-Ported



Flow
Normal
High
Extra High
High Pressure
Revision

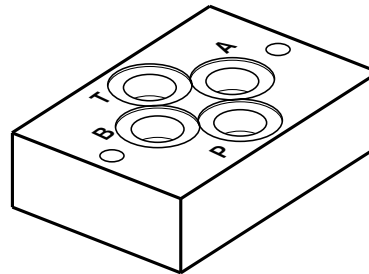
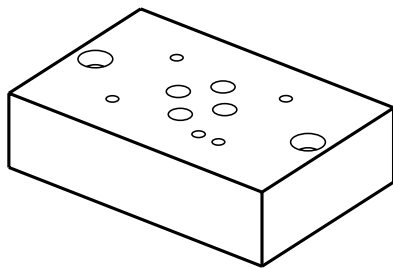
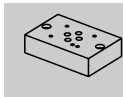
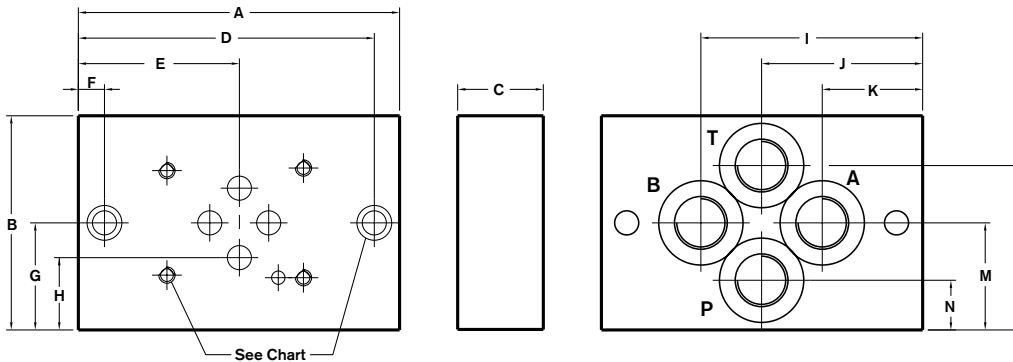
= N
= H
= X

= H
= XX

12 =
05 =
01 =

Ports
SAE Threaded Ports
NPT Threaded Ports
BSP Threaded Ports

Material
Aluminum 6061-T6, 3000 psi
Ductile Iron¹ 65-45-12, 5000 psi



Port type	Approx. Weight	
	Alum	Duct
SP6BN-1X/...	0.9	2.4
SP6BH-1X/...	1.4	3.7
SP6BX-1X/...	2.7	7.2
SP6BNH-1X/...	—	2.4

Port type	P,T & A,B Ports			Mounting Bolts			Valve Mtg.	
	12	05	01	12	05	01	05&12	01
SP6BN-1X/...	9/16-18 SAE-6	NPT 1/4"	G (BSP) 1/4"	1/4-20 x 0.75 LG SHCS	1/4-20 x 0.75 LG SHCS	M6-1.0 x (20) LG SHCS		
SP6BH-1X/...	3/4-16 SAE-8	NPT 3/8"	G (BSP) 3/8"	1/4-20 x 0.75 LG SHCS	1/4-20 x 0.75 LG SHCS	M6-1.0 x (20) LG SHCS	10-24 x 0.50 DP	M5-0.8 x (12.7) DP
SP6BX-1X/...	7/8-14 SAE-10	NPT 1/2"	G (BSP) 1/2"	1/4-20 x 0.75 LG SHCS	1/4-20 x 0.75 LG SHCS	M6-1.0 x (20) LG SHCS		
SP6BNH-1X/...	—	NPT 1/4"	—	—	1/4-20 x 0.75 LG	—	1/4-20 x 0.50 DP	—

Dimension	A	B	C	D	E	F	G	H	I	J	K	L	M	N
SP6BN...	3.75	2.50	1.00	3.46	1.88	0.31	1.25	1.66	2.59	1.88	1.17	1.92	1.25	0.58
SP6BH...	4.00	3.00	1.19	3.77	2.00	0.22	1.50	1.91	2.94	2.00	1.05	2.17	1.50	0.83
SP6BX...	5.00	4.00	1.38	4.67	2.50	0.34	2.00	2.41	3.58	2.50	1.42	3.14	2.00	0.86

Mounting hardware is supplied. Valve mounting hardware must be ordered separately.

1) Blackening

All dimensions in inches

Subplates

D05 (Size 10) Bottom-Ported

Flow

Low = L

Normal = N

High = H

Extra High = X

Revision = XX

SP10B | XX / |

Ports

12 = SAE Threaded Ports

05 = NPT Threaded Ports

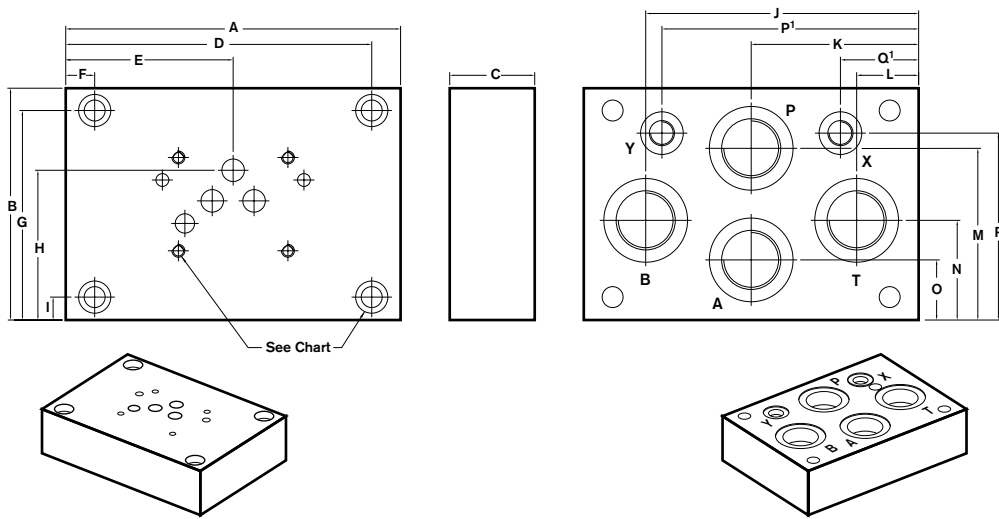
01 = BSPP Threaded Ports

Material

A = Aluminum 6061-T6, 3000 psi

D = Ductile Iron¹ 65-45-12, 5000 psi

S = Steel 1045 HR, 9000 psi



Model	Approx. Wt.		
	Alum.	Iron	Steel
SP10BL...	2.2	5.8	—
SP10BN...	2.5	6.6	—
SP10BH...	4.7	12.5	—
SP10BX...	4.7	12.5	—
SP10BNH...	—	—	6.4

Port type	P,T & A,B Ports			X & Y Ports			Mounting Bolts			Valve Mtg.	
	12	05	01	12	05	01	12	05	01	05 & 12	01
SP10BL...	9/16-18 SAE-6	NPT 3/8"	G (BSP) 3/8"	—	—	—	3/8-16 x 1.50 LG SHCS	3/8-16 x 1.50 LG SHCS	M10-1.5 x (40) LG SHCS		
SP10BN...	3/4-16 SAE-8	NPT 1/2"	G (BSP) 1/2"	—	—	—	3/8-16 x 1.50 LG SHCS	3/8-16 x 1.50 LG SHCS	M10-1.5 x (40) LG SHCS	1/4-20	M6-1.0
SP10BH...	1-1/16-12 SAE-12	NPT 3/4"	G (BSP) 3/4"	7/16-20 SAE-4	NPT 1/4"	G (BSP) 1/4"	3/8-16 x 1.75 LG SHCS	3/8-16 x 1.75 LG SHCS	M10-1.5 x (45) LG SHCS	x	x
SP10BX...	1-5/16-12 SAE-16	NPT 1"	G (BSP) 1"	7/16-20 SAE-4	NPT 1/4"	G (BSP) 1/4"	3/8-16 x 1.75 LG SHCS	3/8-16 x 1.75 LG SHCS	M10-1.5 x (45) LG SHCS	0.60 DP	(15.2) DP
SP10BNH...	—	NPT 3/8"	—	—	—	—	—	3/8-16 x 1.75 LG SHCS	—	5/16-18 x .60 DP	—

Dimension	A	B	C	D	E	F	G	H	I	J	K	L	M	N	O	P ²	Q ²	R ²
SP10BL-1X/...	4.00	4.50	1.25	3.56	1.99	0.43	4.05	2.89	0.43	3.13	1.99	0.85	3.12	2.04	0.96			
SP10BN-1X/...	4.50	4.50	1.25	3.81	2.24	0.68	4.05	2.89	0.43	3.38	2.24	1.10	3.12	2.04	0.96			
SP10BH-1X/...	6.50	4.50	1.65	5.94	3.25	0.56	4.07	2.91	0.45	5.30	3.25	1.20	3.33	1.94	1.17	4.98	1.52	3.63
SP10BX-1X/...	6.50	4.50	1.65	5.94	3.25	0.56	4.07	2.91	0.45	5.30	3.25	1.20	3.33	1.94	1.17	4.98	1.52	3.63

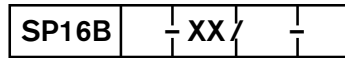
Mounting hardware is supplied. Valve mounting hardware must be ordered separately.

1) Blackening

2) Note: X & Y ports not available on low or normal flow

All dimensions in inches

Subplates D07 (Size 16) Bottom-Ported



Flow
Normal
High

= N
= H

Revision

= XX

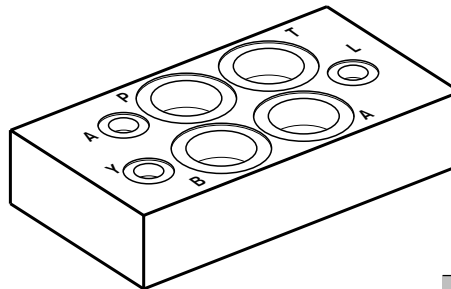
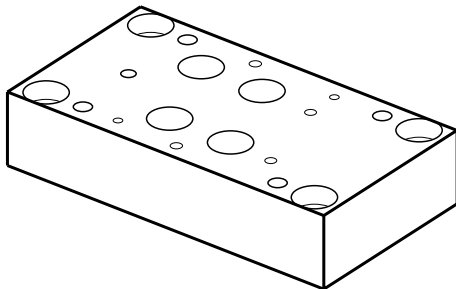
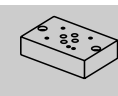
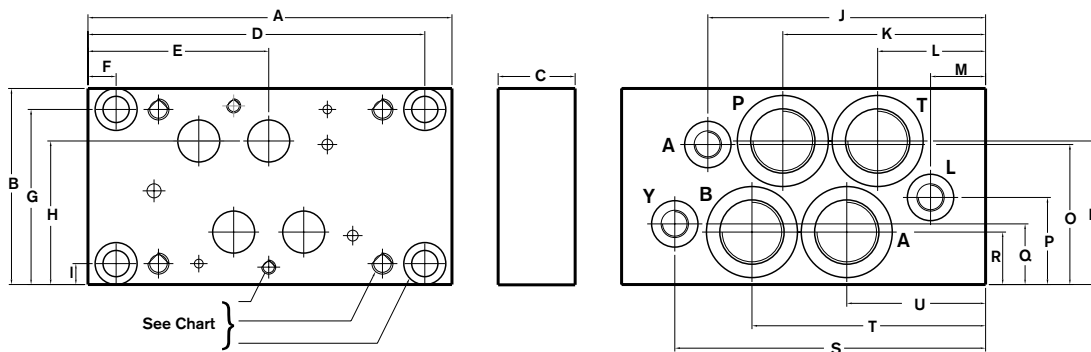
Material

Aluminum 6061-T6, 3000 psi
Ductile Iron¹ 65-45-12, 5000 psi

= A
= D

12 =
05 =
01 =

Ports
SAE Threaded Ports
NPT Threaded Ports
BSP Threaded Ports



Model	Approx. Wt.	
	Alum.	Iron
SP16BN...	3.1	8.1
SP16BH...	7.3	19.3

Port type	P,T & A,B Ports			X & Y Ports			Mounting Bolts			Valve Mtg	
	12	05	01	12	05	01	12	05	01	05 & 12	01
SP16BN...	1-1/16-12 SAE-12	NPT 3/4"	G (BSP) 3/4"	7/16-20 SAE-4	NPT 1/4"	G (BSP) 1/4"	7/16-14 x 1.25 LG SHCS	7/16-14 x 1.25 LG SHCS	M12-1.75 x (30) LG SHCS	(4) 3/8-16 x 0.70 DP	(4) M10-1.5 x (17.7) DP
SP16BH...	1-5/16-12 SAE-16	NPT 1"	G (BSP) 1"	7/16-20 SAE-4	NPT 1/4"	G (BSP) 1/4"	3/8-16 x 2.00 LG SHCS	3/8-16 x 2.00 LG SHCS	M10-1.75 x (50) LG SHCS	(2) 1/4-20 x 0.70 DP	(2) M6-1.0 x (17.7) DP

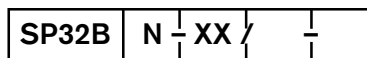
Dimension	A	B	C	D	E	F	G	H	I	J	K	L	M	N	O	P	Q	R	S	T	U
SP16BN-1X/...	6.50	3.50	1.38	6.02	3.23	0.50	3.13	2.56	0.37	4.96	3.62	1.93	0.98	2.56	2.50	1.56	1.08	0.94	5.55	4.17	2.48
SP10BH-1X/...	7.00	4.50	2.36	6.64	3.49	0.34	4.13	3.05	0.35	5.86	3.95	1.78	0.70	3.28	2.99	1.77	1.73	1.17	6.25	4.58	2.41

Mounting hardware is supplied. Valve mounting hardware must be ordered separately.

1) Blackening

All dimensions in inches

Subplates D10 (Size 32) Bottom-Ported



Flow
Normal

= N

Revision

= XX

Material

Aluminum 6061-T6, 3000 psi

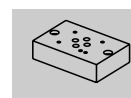
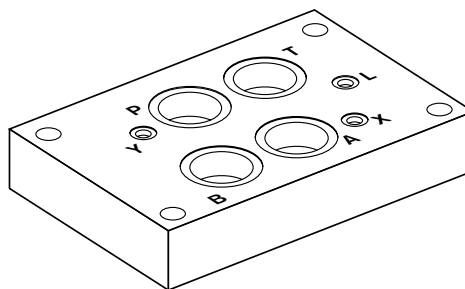
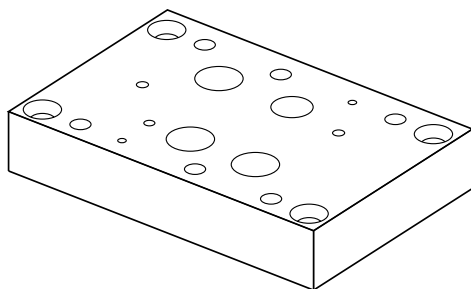
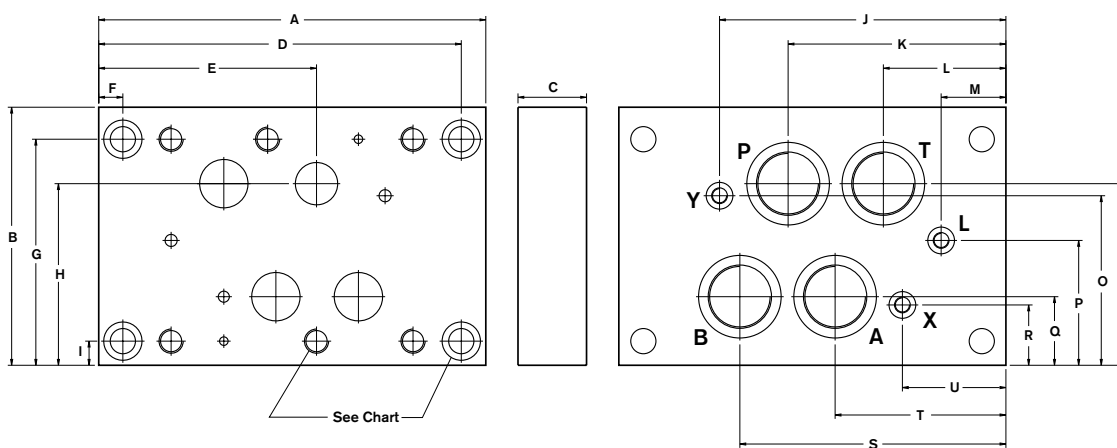
= A

Ductile Iron¹ 65-45-12, 5000 psi

= D

12 =
05 =
01 =

Ports
SAE Threaded Ports
NPT Threaded Ports
BSPB Threaded Ports



Model	Approx. Wt.	
	Alum.	Iron
SP32BN...	20	53

Port type	P,T & A,B Ports			X & Y Ports			Mounting Bolts			Valve Mtg	
	12	05	01	12	05	01	12	05	01	05&12	01
SP32BN...	1-7/8-12 SAE-24	NPT 1-1/2"	G (BSP) 1-1/2"	7/16-20 SAE-4	NPT 1/4"	G (BSP) 1/4"	3/4-10 x 2.50 LG SHCS	3/4-10 x 2.50 LG SHCS	M20-2.5 x (65) LG SHCS	3/4-10 x 1.20 DP	M20-2.5 x (30.4) DP

Dimension	A	B	C	D	E	F	G	H	I	J	K	L	M	N	O	P	Q	R	S	T	U
SP32BN-1X/...	12.00	8.00	2.13	11.24	6.75	0.75	7.01	5.63	0.75	8.88	6.75	3.80	2.01	5.63	5.26	3.87	2.13	1.87	8.25	5.30	3.21

Mounting hardware is supplied. Valve mounting hardware must be ordered separately.

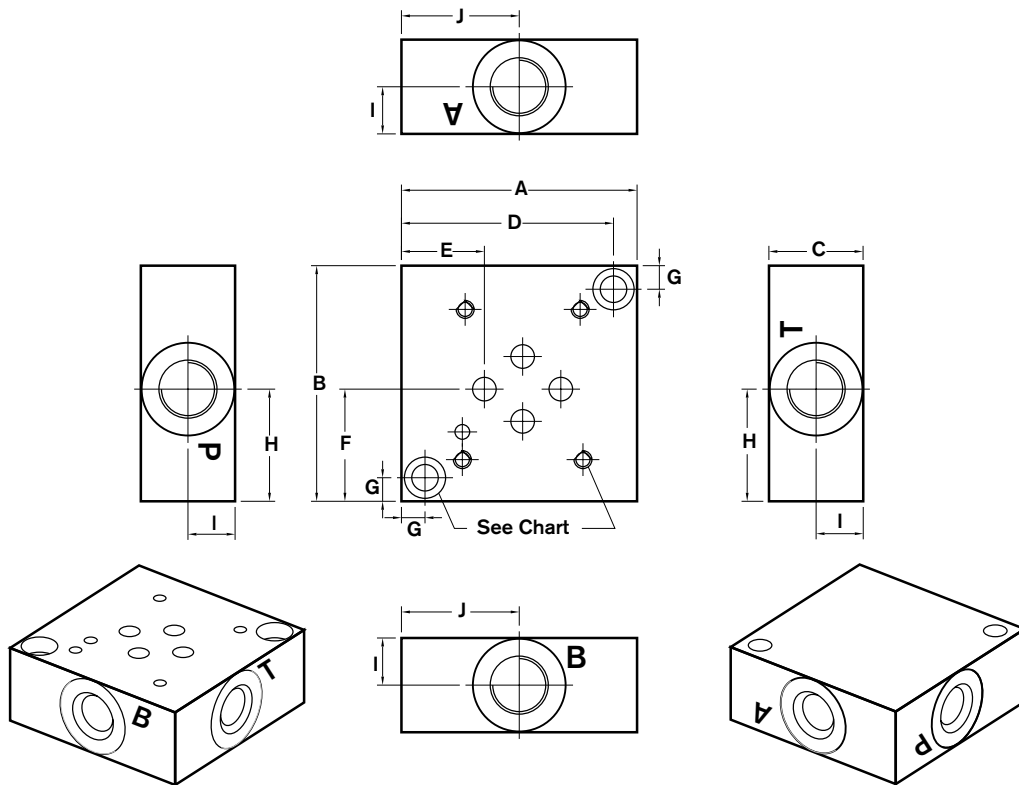
1) Blackening

All dimensions in inches

Subplates

D03 (Size 6) Side-Ported

		SP6S / XX /			
Flow					
Normal	= N			12 =	Ports
High	= H			05 =	SAE Threaded Ports
Extra High	= X			01 =	NPT Threaded Ports
Revision	= XX				BSP Threaded Ports
				A =	Material
				D =	Aluminum 6061-T6, 3000 psi
					Ductile Iron ¹ 65-45-12, 5000 psi



Model	Approx. Wt.	
	Alum.	Iron
SP6SM-1X...	0.6	1.6
SP6SH-1X...	1.8	4.8
SP6SX-1X...	2.7	7.3

Port type	Ports			Mounting Bolts			Valve Mtg	
	12	05	01	12	05	01	05 & 12	01
SP6SN-1X/...	9/16-18 SAE-6	NPT 3/8"	G (BSP) 3/8"	1/4-20 x 1.00 LG SHCS	1/4-20 x 1.00 LG SHCS	M6-1.0 x (25) LG SHCS		
SP6SH-1X/...	3/4-16 SAE-8	NPT 1/2"	G (BSP) 1/2"	1/4-20 x 1.50 LG SHCS	1/4-20 x 1.50 LG SHCS	M6-1.0 x (40) LG SHCS	10-24 x 0.50 DP	M5-0.8 x (12.7) DP
SP6SX-1X/...	1-1/16-12 SAE-12	NPT 3/4"	G (BSP) 3/4"	3/8-16 x 1.75 LG SHCS	3/8-16 x 1.75 LG SHCS	M10-1.5 x (45) LG SHCS		

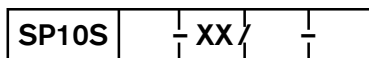
Dimension	A	B	C	D	E	F	G	H	I	J
SP6SN-1X/...	2.50	2.50	1.00	2.25	0.88	1.19	0.25	1.19	0.50	1.25
SP6SH-1X/...	3.50	3.50	1.50	3.25	1.37	1.69	0.25	1.69	0.75	1.75
SP6SX-1X/...	4.00	4.00	1.75	3.63	1.63	1.94	0.38	1.94	0.87	2.06

Mounting hardware is supplied.

1) Blackening

All dimensions in inches

Subplates D05 (Size 10) Side-Ported



Flow
Normal
High
Extra High

= N
= H
= X

Revision

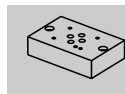
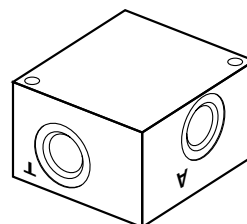
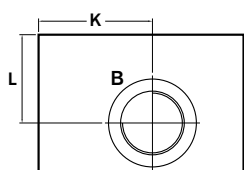
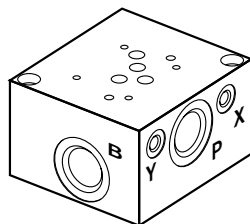
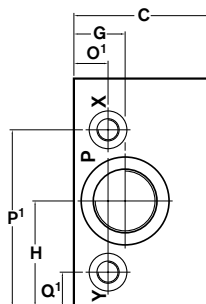
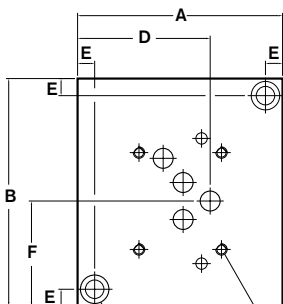
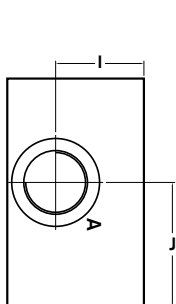
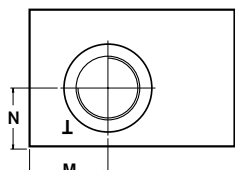
= XX

12 =
05 =
01 =

Ports
SAE Threaded Ports
NPT Threaded Ports
BSP Threaded Ports

A =
D =

Material
Aluminum 6061-T6, 3000 psi
Ductile Iron¹ 65-45-12, 5000 psi



Model	Approx. Wt.	
	Alum.	Iron
SP10SN...	1.5	4.1
SP10SH...	3.1	8.1
SP10SX...	6.6	17.6

Port type	Ports			X & Y Ports			Mounting Bolts			Valve Mtg	
	12	05	01	12	05	01	12	05	01	05 & 12	01
SP10SN-1X/...	3/4-16 SAE-8	NPT 1/2"	G (BSP) 1/2"	7/16-20 SAE-4	NPT 1/4"	G (BSP) 1/4"	3/8-16 x 1.25 LG SHCS	3/8-16 x 1.25 LG SHCS	M10-1.5 x (35) LG SHCS	1/4-20	M6-1.0
SP10SH-1X/...	1-1/16-12 SAE-12	NPT 3/4"	G (BSP) 3/4"	7/16-20 SAE-4	NPT 1/4"	G (BSP) 1/4"	3/8-16 x 1.75 LG SHCS	3/8-16 x 1.75 LG SHCS	M10-1.5 x (45) LG SHCS	x 0.60 DP	x (15.2) DP
SP10SX-1X/...	1-5/16-12 SAE-16	NPT 1"	G (BSP) 1"	7/16-20 SAE-4	NPT 1/4"	G (BSP) 1/4"	3/8-16 x 3.00 LG SHCS	3/8-16 x 3.00 LG SHCS	M10-1.5 x (75) LG SHCS		

Dimension	A	B	C	D	E	F	G	H	I	J	K	L	M	N	O ²	P ²	Q ²
SP10SN-1X/...	3.13	4.00	1.25	2.25	0.38	2.00	0.62	2.00	0.62	2.22	1.62	0.63	1.37	0.62			
SP10SH-1X/...	3.75	4.75	1.75	2.53	0.38	2.38	0.87	2.38	0.87	2.62	1.88	0.87	1.88	0.87	1.31	3.75	0.81
SP10SX-1X/...	4.50	5.00	3.00	2.91	0.38	2.31	1.13	2.31	1.94	2.72	2.50	1.94	1.72	1.28	0.75	3.88	0.75

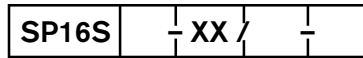
Mounting hardware is supplied.

1) Blackening 2) X and Y Ports not available on normal flow.

All dimensions in inches

Subplates

D07 (Size 16) Side-Ported



Flow
Normal
High

Revision

Material

Aluminum 6061-T6, 3000 psi
Ductile Iron¹ 65-45-12, 5000 psi

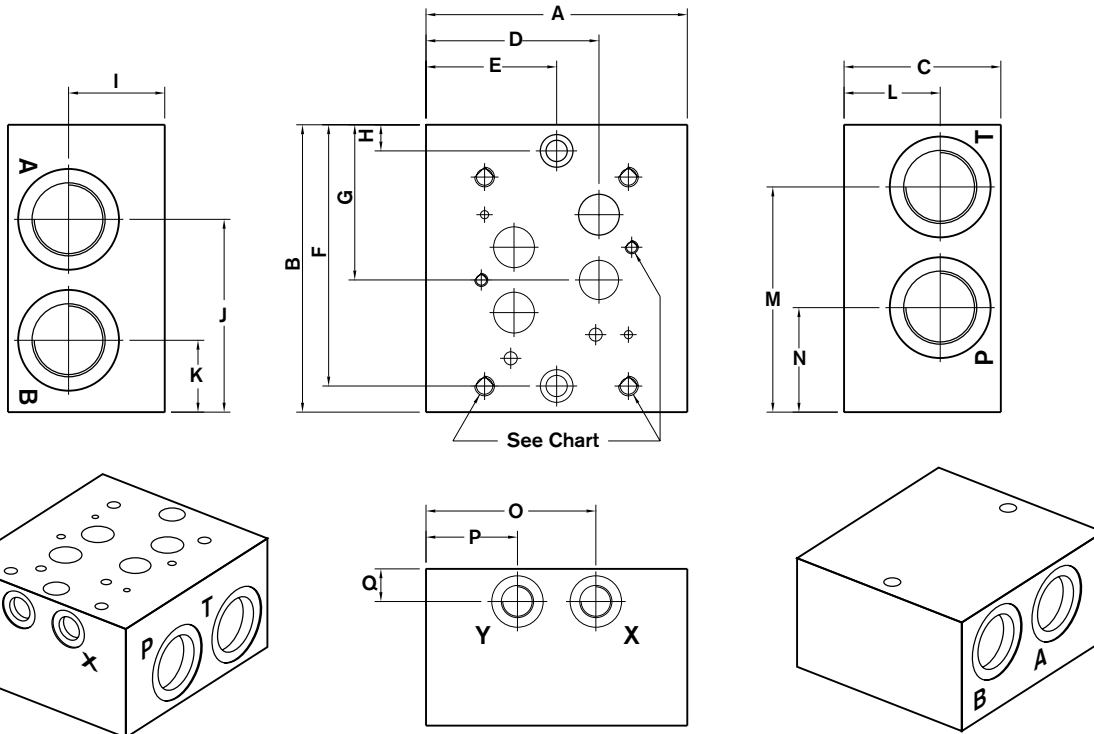
= N
= H

= XX

= A
= D

12 =
05 =
01 =

Ports
SAE Threaded Ports
NPT Threaded Ports
BSPP Threaded Ports



Model	Approx. Wt.	
	Alum.	Iron
SP16SN...	3.4	9.0
SP16SH...	8.1	21.4

Port type	Ports			X & Y Ports			Mounting Bolts			Valve Mtg		
	12	05	01	12	05	01	12	05	01	05 & 12	01	
SP16SN...	1-1/16-12 SAE-12	NPT 3/4"	G (BSP) 3/4"	9/16-18 SAE-6	NPT 1/4"	G (BSP) 1/4"	3/8-16 x 1.25 LG SHCS	3/8-16 x 1.25 LG SHCS	M10-1.5 x (35) LG SHCS	3/8-16 x 0.70 DP	M10-1.5 x (17.7) DP	
SP16SH...	1-5/16-12 SAE-16	NPT 1"	G (BSP) 1"	9/16-18 SAE-6	NPT 1/4"	G (BSP) 1/4"	3/8-16 x 3.00 LG SHCS	3/8-16 x 3.00 LG SHCS	M10-1.5 x (80) LG SHCS	1/4-20 x 0.70 DP	M6-1.0 x 15.2) DP	

Dimension	A	B	C	D	E	F	G	H	I	J	K	L	M	N	O	P	Q
SP16SN-1X/...	3.75	4.75	1.95	2.69	1.88	4.38	2.34	0.38	1.14	3.25	1.63	1.14	3.65	1.97	2.63	1.13	0.70
SP16SH-1X/...	5.00	5.50	3.00	3.31	2.50	5.00	2.97	0.50	1.84	3.69	1.38	1.84	4.31	2.00	3.25	1.75	0.63

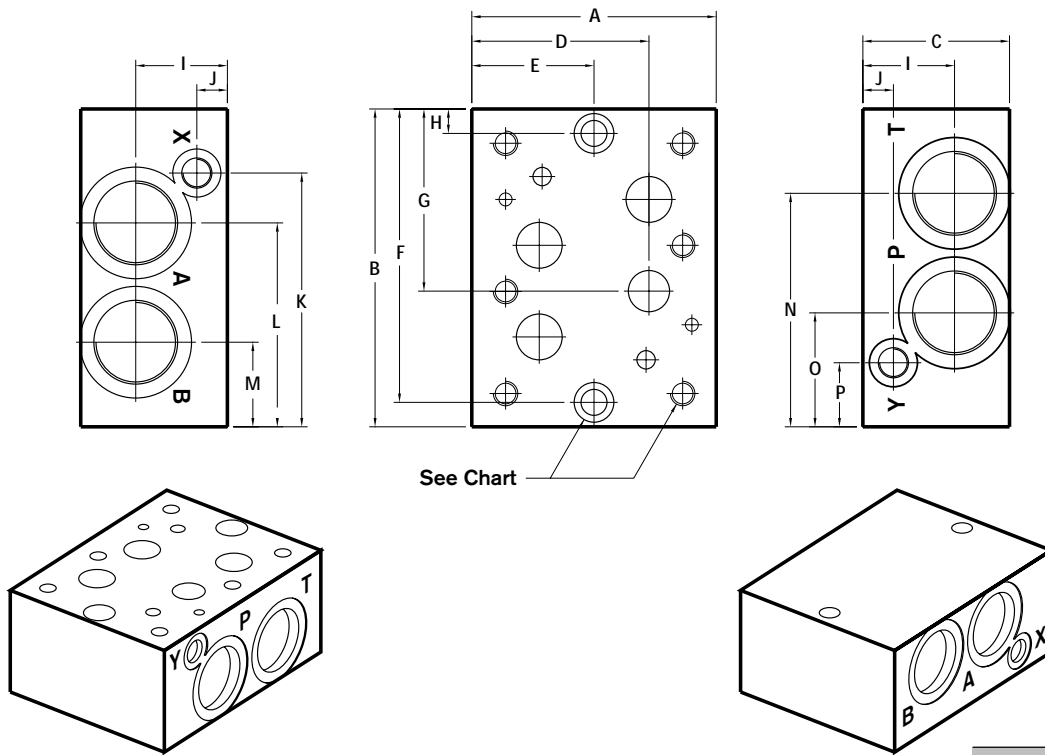
Mounting hardware is supplied.

1) Blackening

All dimensions in inches

Subplates D08 (Size 22) Side-Ported

Flow		= N = H	= XX	= A = D	12 = 05 = 01 =	Ports SAE Threaded Ports NPT Threaded Ports BSP Threaded Ports
Normal						
High						
Revision		= XX				
Material						
Aluminum 6061-T6, 3000 psi		= A				
Ductile Iron ¹ 65-45-12, 5000 psi		= D				



Model	Approx. Wt.	
	Alum.	Iron
SP16SN...	5.4	14.3
SP16SH...	9.6	25.4

Port type	Ports			X & Y Ports			Mounting Bolts			Valve Mtg		
	12	05	01	12	05	01	12	05	01	05 & 12	01	
SP22SN...	1-5/16-12 SAE-16	NPT 1"	G (BSP) 1"	9/16-18 SAE-6	NPT 1/4"	G (BSP) 1/4"	1/2-13 x 1.75 LG SHCS	1/2-13 x 1.75 LG SHCS	M12-1.75 x (45) LG SHCS	1/2-13 x	M12-1.75	
SP22SH...	1-5/8-12 SAE-20	NPT 1-1/4"	G (BSP) 1-1/4"	9/16-18 SAE-6	NPT 1/4"	G (BSP) 1/4"	1/2-13 x 3.00 LG SHCS	1/2-13 x 3.00 LG SHCS	M12-1.75 x (80) LG SHCS	1.19 DP	x (30.2) DP	

Dimension	A	B	C	D	E	F	G	H	I	J	K	L	M	N	O	P
SP22SN-1X/...	4.50	6.13	2.00	3.37	2.25	5.63	3.53	0.50	1.00	1.00	4.94	3.60	1.60	4.54	2.54	1.19
SP22SH-1X/...	5.00	6.50	3.00	3.62	2.50	6.00	3.73	0.50	1.88	0.63	5.19	4.17	1.73	4.78	2.33	1.31

Mounting hardware is supplied.

1) Blackening

All dimensions in inches

