

Section 5 Valve Adaptors

RA 09 907/07.04

The Drive & Control Company

Valve Adaptor Features

- Size adaption from sizes 6 through 32
- Includes some Rexroth style patterns and others
- Aluminum and ductile iron
- Includes mounting kit



Section 5 Index

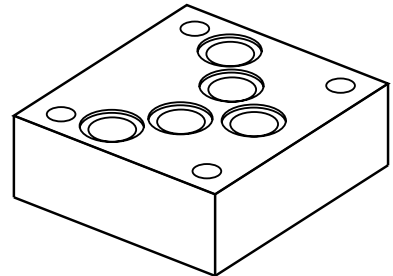
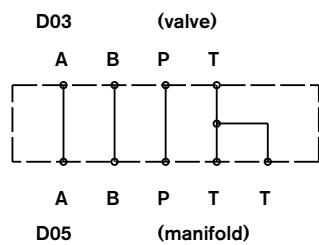
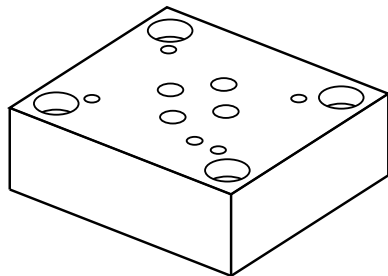
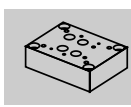
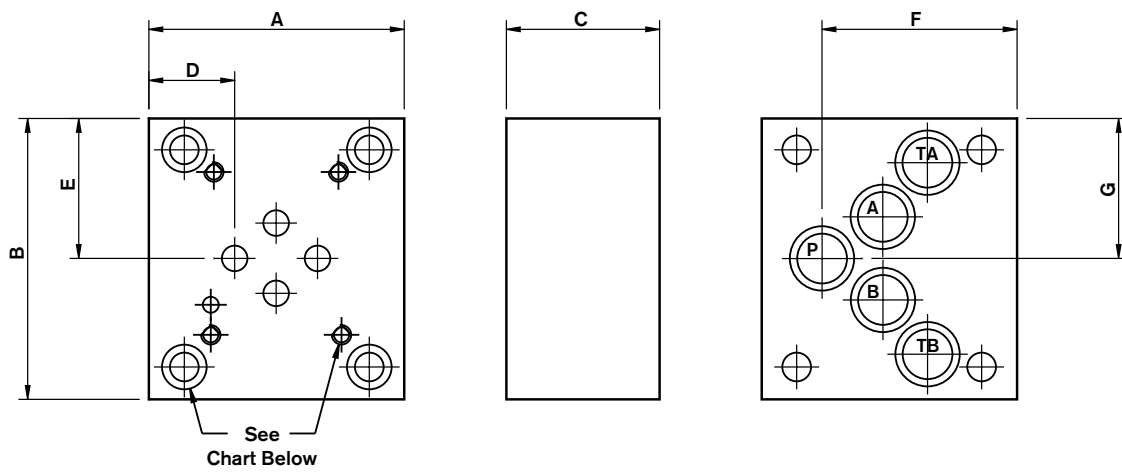
Description	Page
Valve Adaptor D03 (Size 6) to D05 (Size 10)	59
Valve Adaptor D03 (Size 6) to D07 (Size 16)	60
Valve Adaptor D05 (Size 10) to D07 (Size 16)	61
Valve Adaptor D03 (Size 6) to D08 (Size 22)	62
Valve Adaptor D05 (Size 10) to D08 (Size 22)	63
Valve Adaptor D07 (Size 16) to D08 (Size 22)	64
Valve Adaptor D03 (Size 6) to WE5 (Size 5)	65
Valve Adaptor D03 (Size 6) to SE6	66
Valve Adaptor FRM6 to FRM5	67
Valve Adaptor DBET-5X to DBET-3X	68
Valve Adaptor D03 (Size 6) to Moog Size 72	69
Valve Adaptor D05 (Size 10) to D06	70
Valve Adaptor D06 to D08 (Size 22)	71
Valve Adaptor D08 (Size 22) to D10 (Size 32)	72

Valve Adaptors D03 (Size 6) to D05 (Size 10)

AP6-10 - XX /

Revision = XX
Material = A
 Aluminum 6061-T6, 3000 psi
 Ductile Iron¹ 65-45-12, 5000 psi = D

Mounting Bolts
 12 = SAE
 01 = Metric



	Valve (Mtg.)	Adaptor (Mtg.)	O-Ring
12 = SAE	10-24 x 0.50 DP.	1/4-20 x 1.25	12 x 2
01 = Metric	M5-0.8 x (12.7) DP.	M6 x 30mm	12 x 2

Dimension	A	B	C	D	E	F	G
AP6-10-1X/	2.50	2.75	1.50	0.84	1.37	1.91	1.37

Mounting hardware and o-rings are supplied. Valve mounting bolts must be ordered separately.

1) Blackening

All dimensions in inches

Valve Adaptors

D03 (Size 6) to D07 (Size 16)

AP6-16 XX /

Revision

= XX

Material

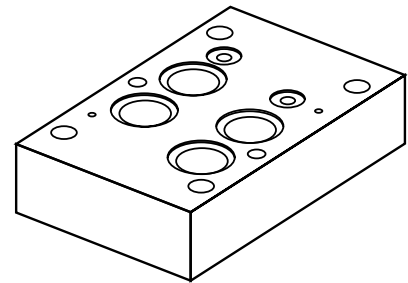
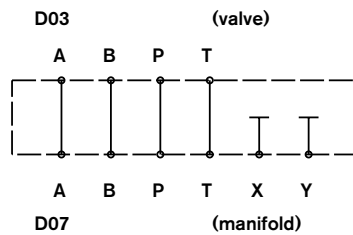
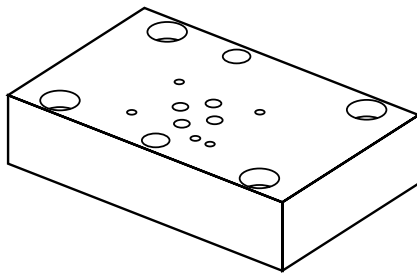
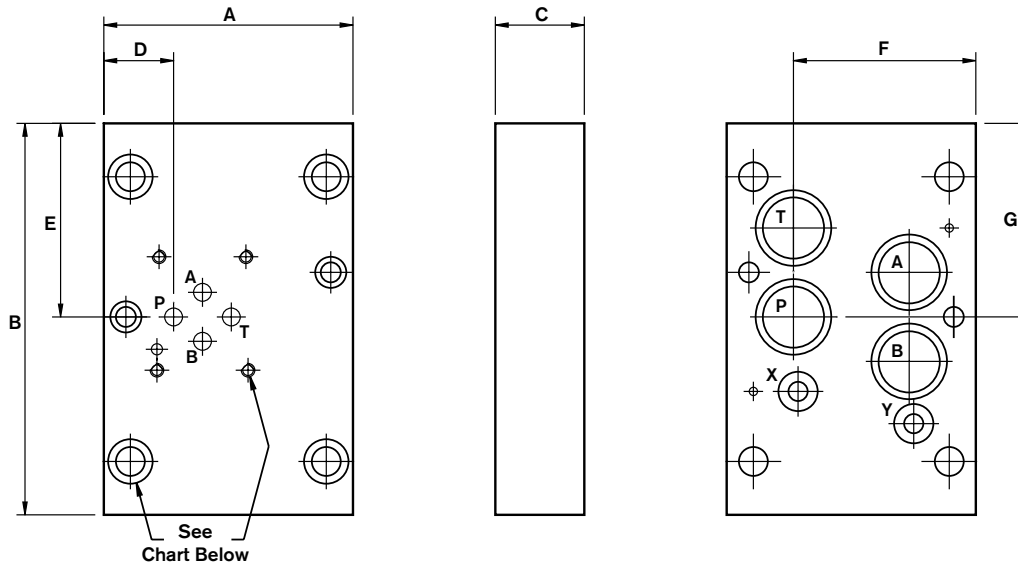
Aluminum 6061-T6, 3000 psi
 Ductile Iron¹ 65-45-12, 5000 psi

= A
 = D

12 =
 01 =

Mounting Bolts

SAE
 Metric



	Valve (Mtg.)	Adaptor (Mtg.)	Adaptor (Mtg.)	O-Ring	O-Ring
12 = SAE	10-24 x 0.50 DP.	3/8-16 x 2.25	1/4-20 x 2.50	10 x 2	22 x 2.5
01 = Metric	M5-0.8 x (12.7) DP.	M10 x 30mm	M6 x 40mm	10 x 2	22 x 2.5

Dimension	A	B	C	D	E	F	G
AP6-16-1X/	3.50	5.50	2.5	0.98	2.6	2.56	2.72

Mounting hardware and o-rings are supplied. Valve mounting bolts must be ordered separately.

1) Blackening

All dimensions in inches

Valve Adaptors D05 (Size 10) to D07 (Size 16)

AP10-16 - XX / -

Revision

= XX

Mounting Bolts

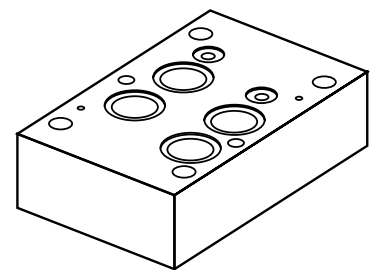
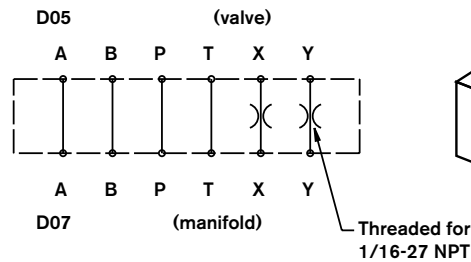
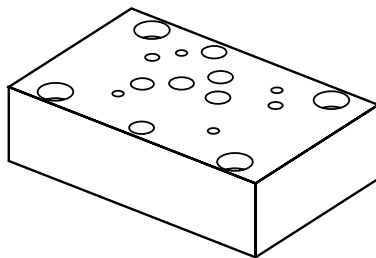
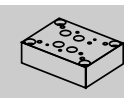
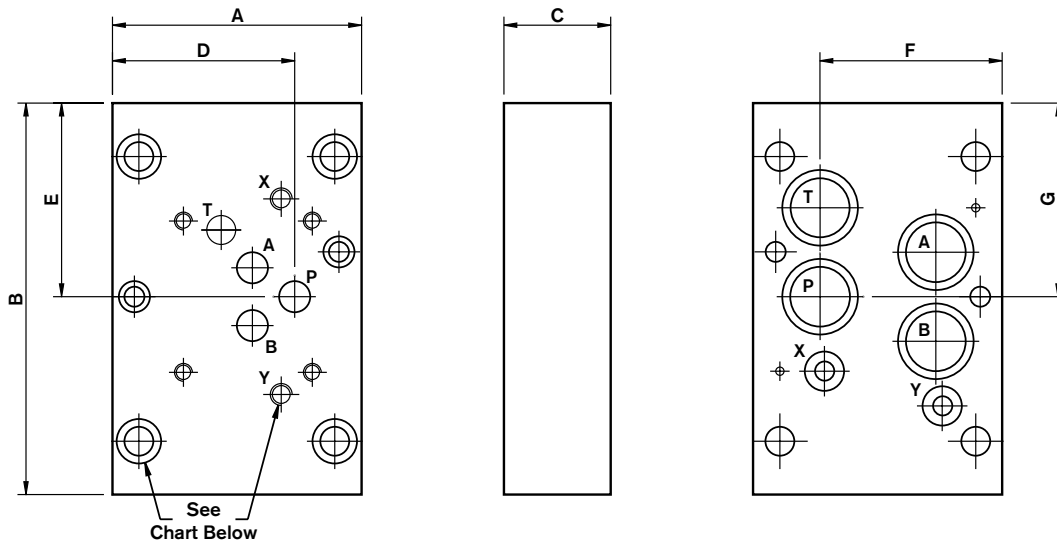
Material

Aluminum 6061-T6, 3000 psi
Ductile Iron¹ 65-45-12, 5000 psi

= A
= D

12 =
01 =

SAE
Metric



	Valve (Mtg.)	Adaptor (Mtg.)	Adaptor (Mtg.)	O-Ring	O-Ring
12 = SAE	10-24 x 0.60 DP.	3/8-16 x 2.25	1/4-20 x 2.50	10 x 2	22 x 2.5
01 = Metric	M6-1.0 x (15.2) DP.	M10 x 30mm	M6 x 40mm	10 x 2	22 x 2.5

Dimension	A	B	C	D	E	F	G
AP10-16-1X/	3.50	5.50	2.50	2.56	2.6	2.56	2.72

Mounting hardware and o-rings are supplied. Valve mounting bolts must be ordered separately.

1) Blackening

All dimensions in inches

Valve Adaptors

D03 (Size 6) to D08 (Size 22)

AP6-22 - XX / -

Revision

= XX

Material

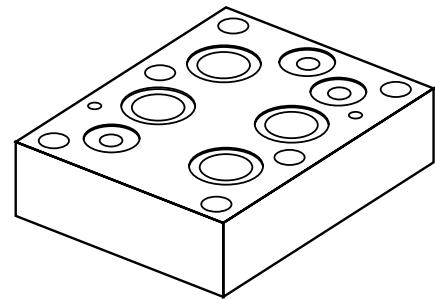
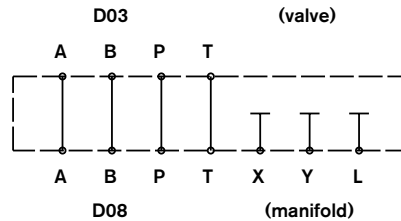
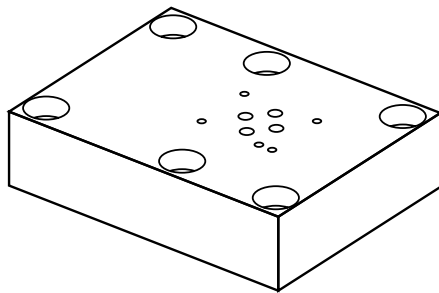
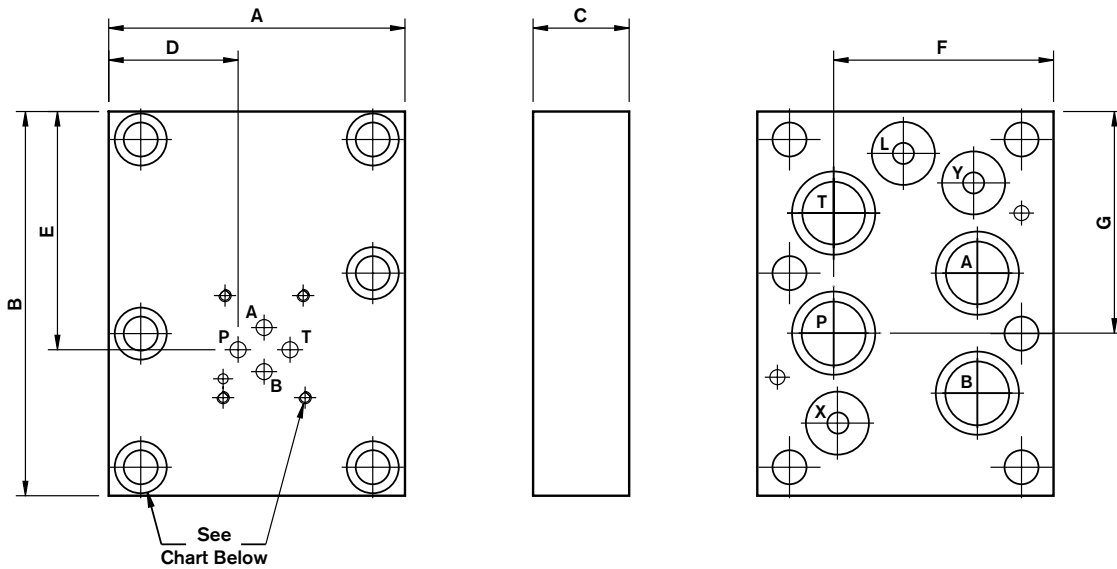
Aluminum 6061-T6, 3000 psi
Ductile Iron¹ 65-45-12, 5000 psi

= A
= D

12 =
01 =

Mounting Bolts

SAE
Metric



	Valve (Mtg.)	Adaptor (Mtg.)	O-Ring	O-Ring
12 = SAE	10-24 x 0.50 DP.	1/2-13 x 1.50	19 x 3	27 x 3
01 = Metric	M5-0.8 x (12.7) DP.	M12 x 40mm	19 x 3	27 x 3

Dimension	A	B	C	D	E	F	G
AP6-22-1X/	4.63	6.00	1.50	2.02	3.72	3.43	3.46

Mounting hardware and o-rings are supplied. Valve mounting bolts must be ordered separately.

1) Blackening

All dimensions in inches

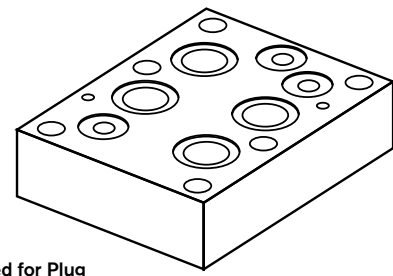
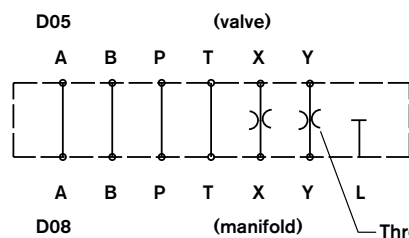
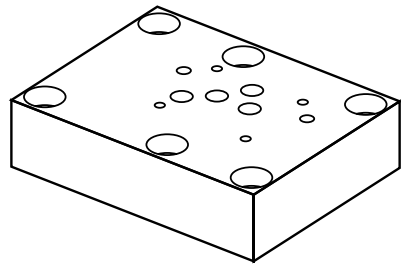
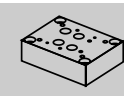
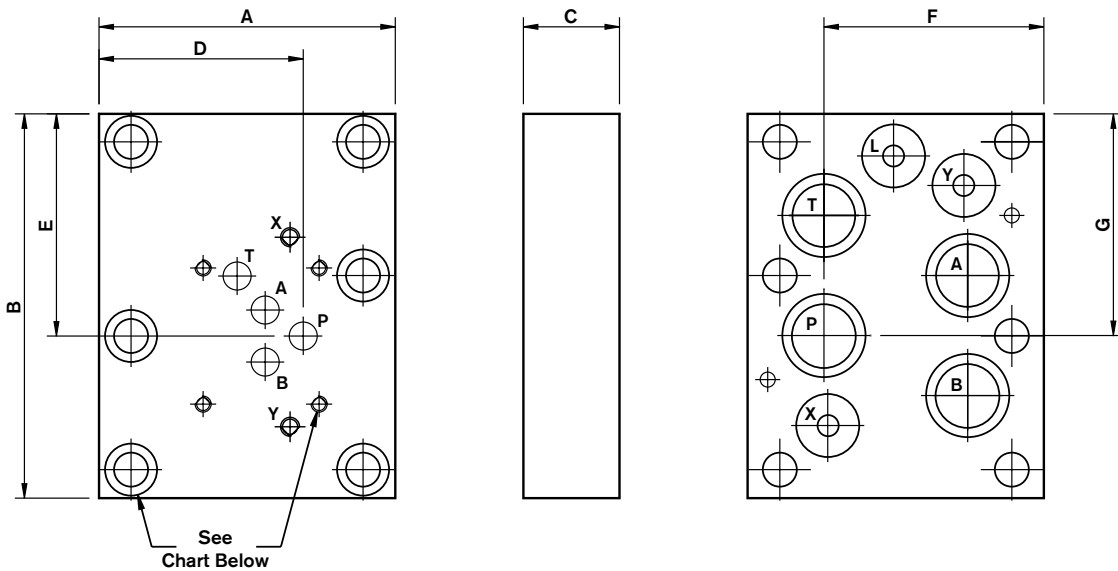
Valve Adaptors

D05 (Size 10) to D08 (Size 22)

AP10-22 - XX /

Revision = XX
Material = A
 Aluminum 6061-T6, 3000 psi
 Ductile Iron¹ 65-45-12, 5000 psi = D

Mounting Bolts
 12 = SAE
 01 = Metric



	Valve (Mtg.)	Adaptor (Mtg.)	O-Ring	O-Ring
12 = SAE	1/4-20 x 0.60 DP.	1/2-13 x 1.50	19 x 3	27 x 3
01 = Metric	M6-1.0 x (15.2) DP.	M12 x 40mm	19 x 3	27 x 3

Dimension	A	B	C	D	E	F	G
AP10-22-1X/	4.63	6.00	1.50	3.19	3.47	3.43	3.46

Mounting hardware and o-rings are supplied. Valve mounting bolts must be ordered separately.

1) Blackening

All dimensions in inches

Valve Adaptors

D07 (Size 16) to D08 (Size 22)

AP16-22 - XX /

Revision

= XX

Material

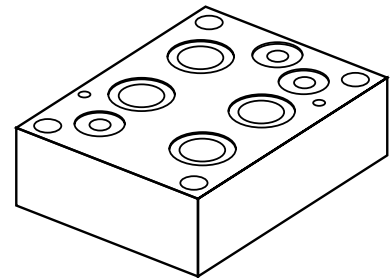
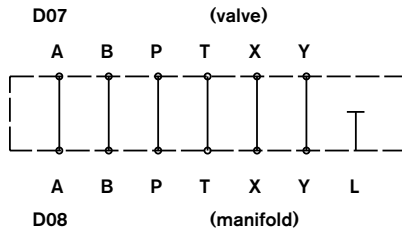
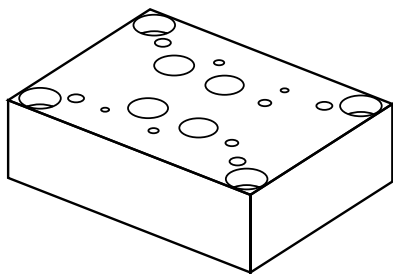
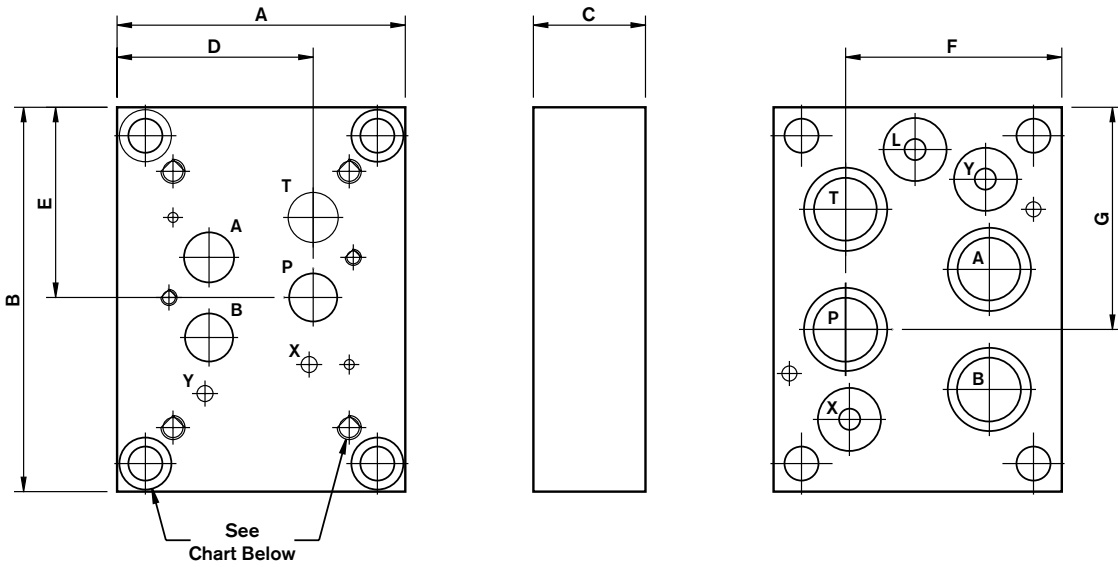
Aluminum 6061-T6, 3000 psi
 Ductile Iron¹ 65-45-12, 5000 psi

= A
 = D

Mounting Bolts

12 =
 01 =

SAE
 Metric



	Valve (Mtg.)	Adaptor (Mtg.)	O-Ring	O-Ring
12 = SAE	1/4-20 x 0.70 DP. 3/8-16 x 0.70 DP.	1/2-13 x 1.50	19 x 3	27 x 3
01 = Metric	M6-1.0 x (17.7) DP. M10-1.5 x (17.7) DP.	M12 x 40mm	19 x 3	27 x 3

Dimension	A	B	C	D	E	F	G
AP16-22-1X/	4.50	6.00	1.75	3.06	2.97	3.38	3.47

Mounting hardware and o-rings are supplied. Valve mounting bolts must be ordered separately.

1) Blackening

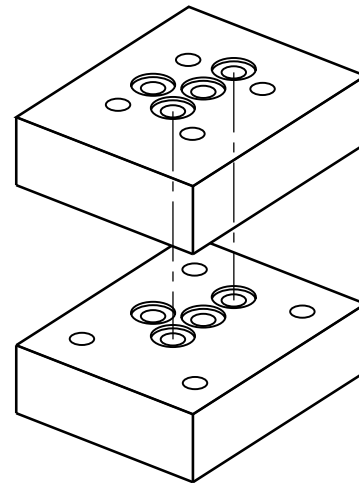
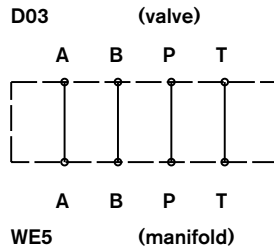
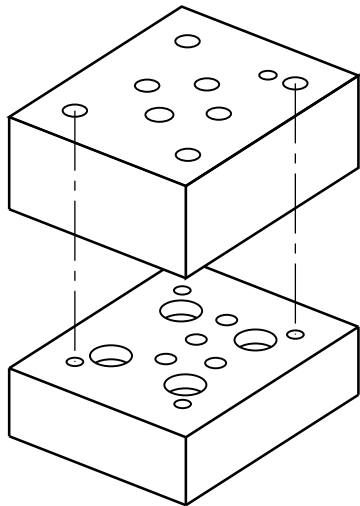
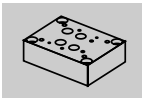
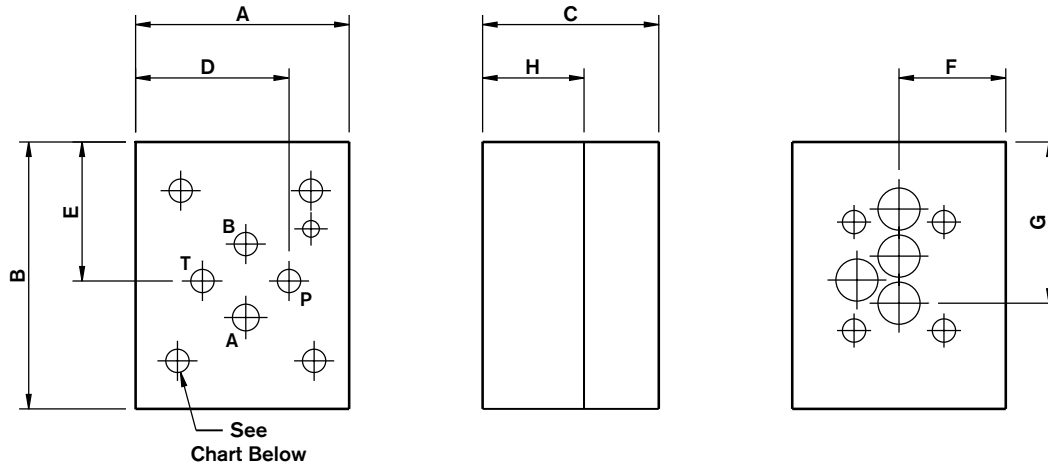
All dimensions in inches

Valve Adaptors D03 (Size 6) to WE5 (Size 5)

AP6-WE5 - XX / A - 12

Revision = XX
Material = A
Aluminum 6061-T6, 3000 psi

12 = Mounting Bolts SAE



	Valve (Mtg.)	Adaptor (Mtg.)	O-Ring
12 = SAE	10-24 x 1.40 DP.	10-24 x 0.75	7 x 1.5

Dimension	A	B	C	D	E	F	G	H
AP6-WE5-1X/	2.00	2.50	1.65	1.41	1.30	1.00	1.51	0.95

Mounting hardware and o-rings are supplied. Valve mounting bolts must be ordered separately.

All dimensions in inches

Valve Adaptors SEW6 to SE6

AP6-SE6 - XX / - 12

Revision

= XX

Material

Ductile Iron¹ 65-45-12, 5000 psi

= D

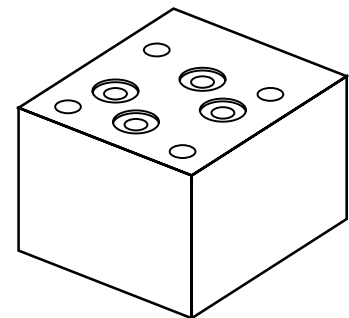
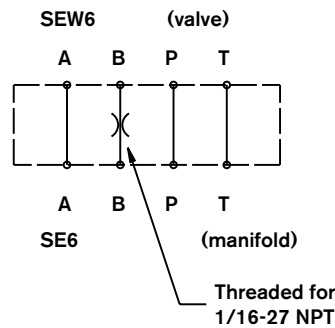
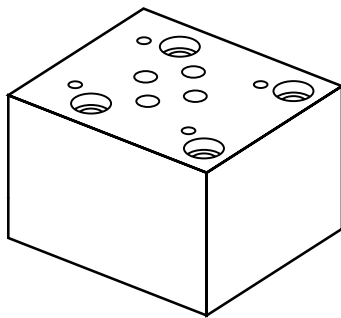
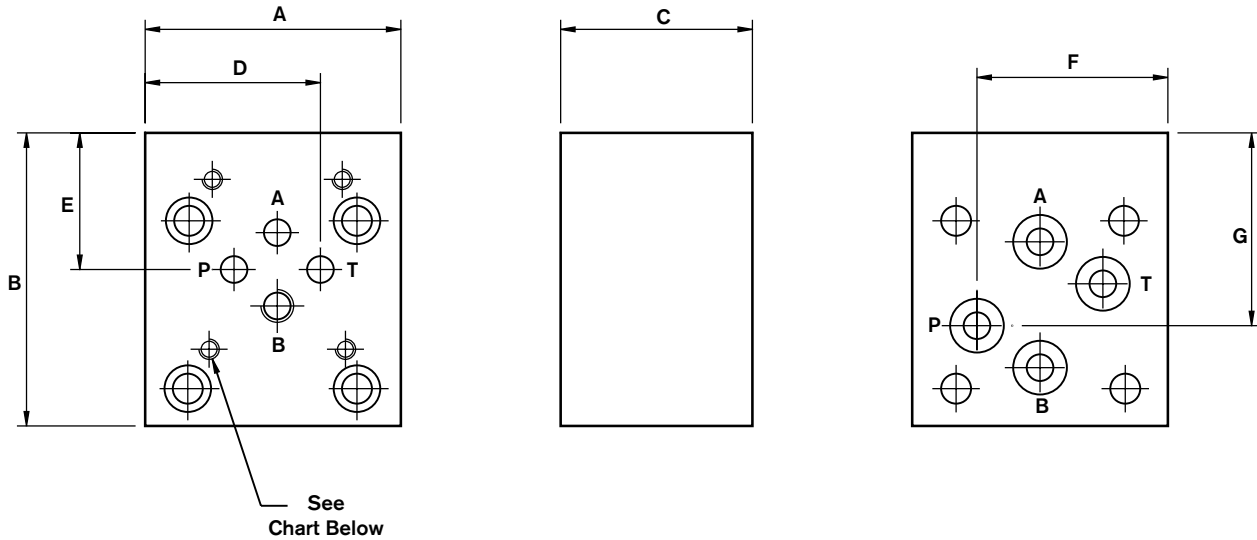
Ductile Iron 65-45-12, 9137 psi

= S

12 =

Mounting Bolts

SAE



	Valve (Mtg.)	Adaptor (Mtg.)	O-Ring
AP6-SE6-1X/...D	10-24 x 0.60 DP.	1/4-20 x 1.75	2-012
AP6-SE6-1X/...S	1/4-20 x 0.65 DP.	1/4-20 x 1.75	2-012

Dimension	A	B	C	D	E	F	G
AP6-SE6-1X/	2.40	2.75	1.80	1.65	1.28	1.79	1.81

Mounting hardware and o-rings are supplied. Valve mounting bolts must be ordered separately.

1) Blackening

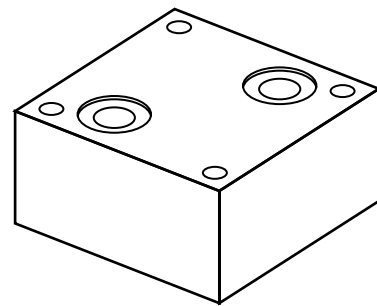
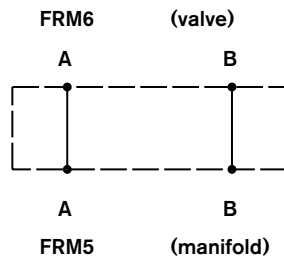
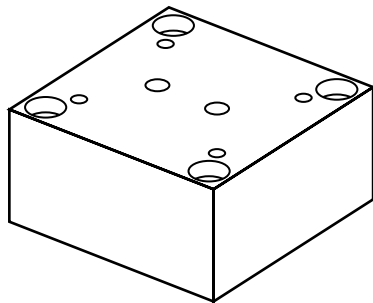
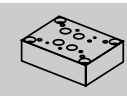
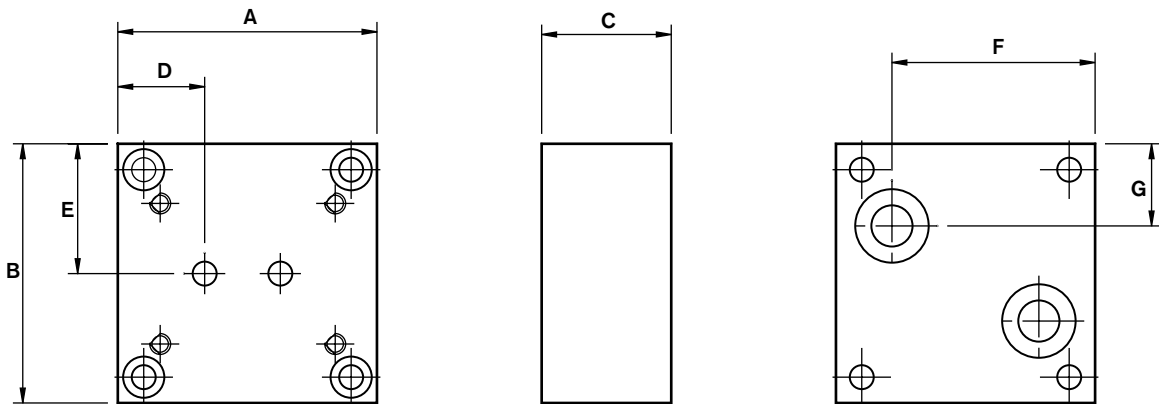
All dimensions in inches

Valve Adaptors FRM6 to FRM5

APFRM6-FRM5 - XX / - 12

Revision = XX
Material = A
 Aluminum 6061-T6, 3000 psi
 = D
 Ductile Iron¹ 65-45-12, 5000 psi

Mounting Bolts
 12 = SAE



Valve (Mtg.)	Adaptor (Mtg.)	O-Ring
12 = SAE	10-24 x 0.45 DP.	10-24 x 1-1/4
		12 x 2.5

Dimension	A	B	C	D	E	F	G
APFRM6-FRM5-1X/	2.36	2.36	1.18	0.79	1.18	1.85	0.75

Mounting hardware and o-rings are supplied. Valve mounting bolts must be ordered separately.

1) Blackening

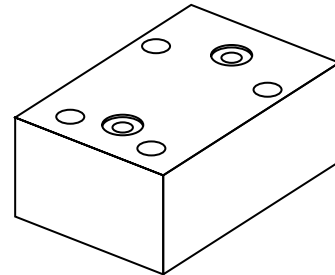
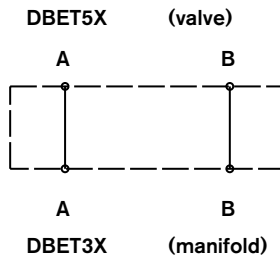
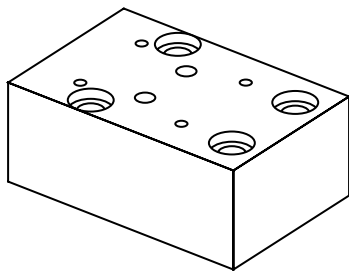
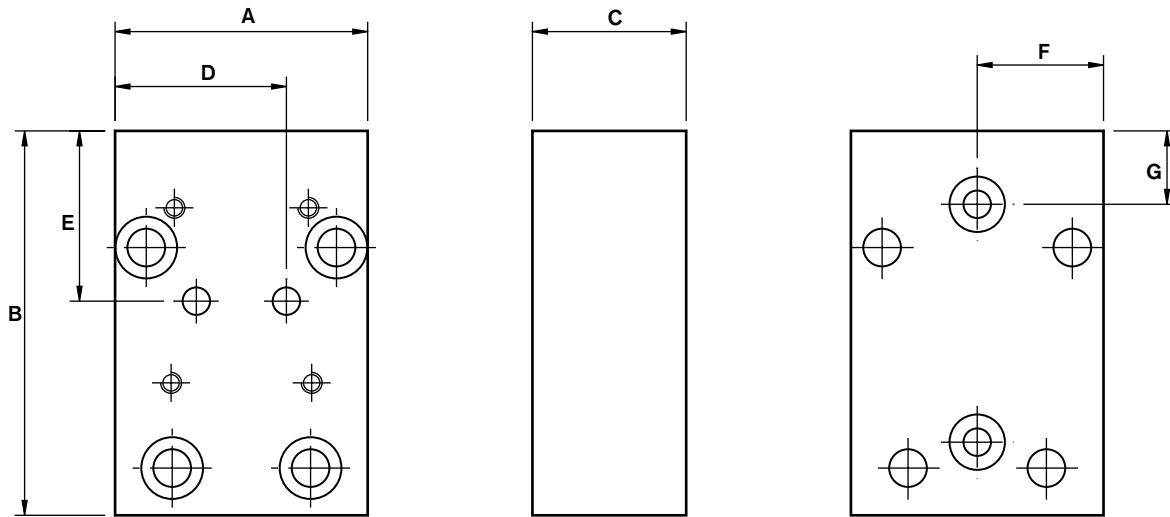
All dimensions in inches

Valve Adaptors DBET-5X to DBET-3X

APDBET5X-DBET3X - XX / - 12

Revision = XX
 Material = A
 Aluminum 6061-T6, 3000 psi
 = D
 Ductile Iron¹ 65-45-12, 5000 psi

12 = Mounting Bolts
 SAE



Valve (Mtg.)	Adaptor (Mtg.)	O-Ring
12 = SAE	10-24 x 0.40 DP.	5/16-18 x 1-1/4
		9.25 x 1.50

Dimension	A	B	C	D	E	F	G
APDBET5X-DBET3X-1X/	2.30	3.50	1.40	1.56	1.55	1.15	0.67

Mounting hardware and o-rings are supplied. Valve mounting bolts must be ordered separately.

1) Blackening

All dimensions in inches

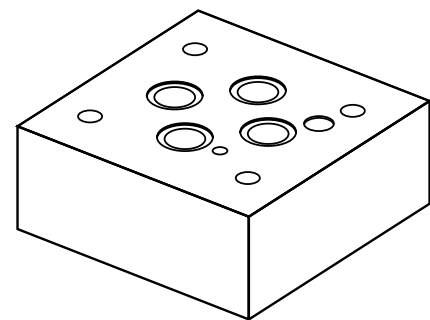
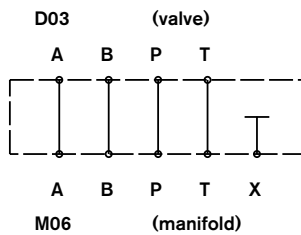
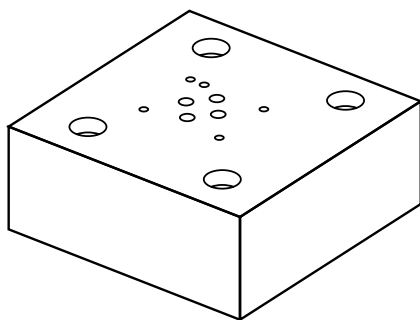
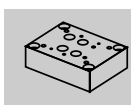
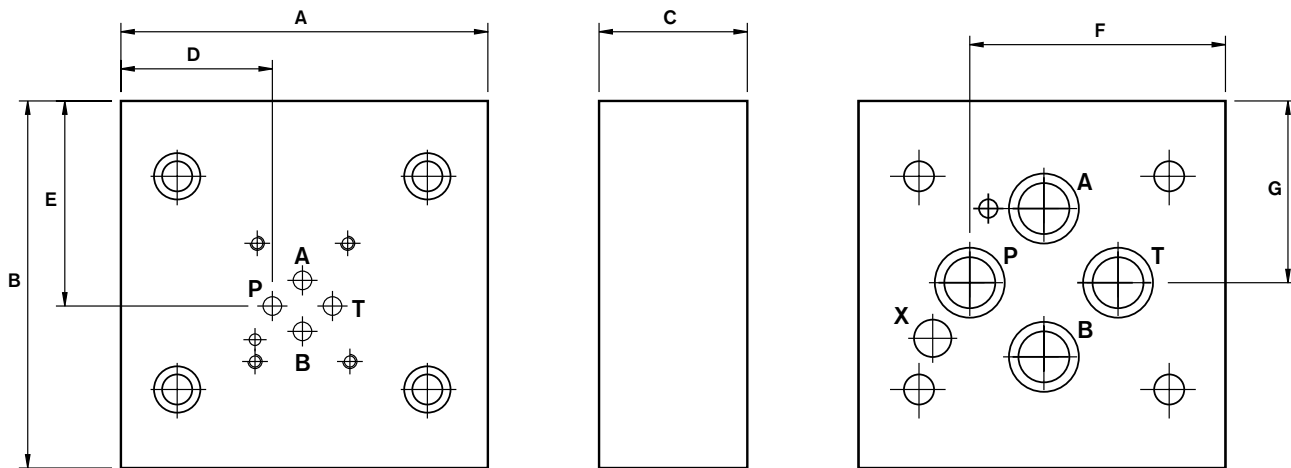
Valve Adaptors

D03 (Size 6) to ISO10372-06-05-0-92 (Moog M72 Servo Valve)

AP6-M72 - XX / - 12

Revision = XX
Material = A
 Aluminum 6061-T6, 3000 psi
 Ductile Iron¹ 65-45-12, 5000 psi = D

12 = **Mounting Bolts**
 SAE



	Valve (Mtg.)	Adaptor (Mtg.)	O-Ring
12 = SAE	10-24 x 0.50 DP.	3/8-16 x 2.50 LG	2-116

Dimension	A	B	C	D	E	F	G
AP6-M06-1X/	4.95	4.95	2.00	2.04	2.77	3.45	2.45

Mounting hardware and o-rings are supplied. Valve mounting bolts must be ordered separately.

1) Blackening

All dimensions in inches

Valve Adaptors

D05 (Size 10) to D06

AP10-D06 | XX /

Revision

= XX

Material

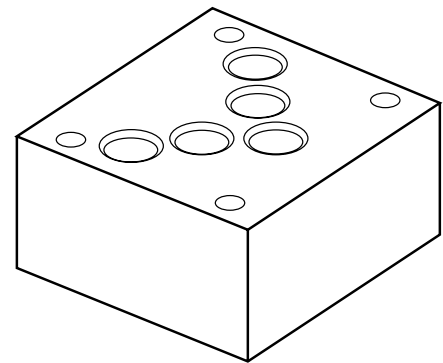
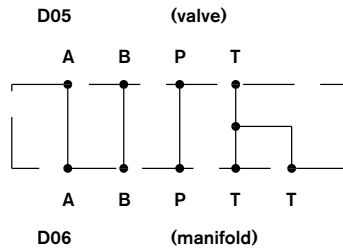
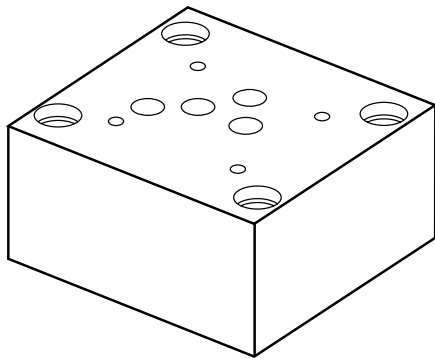
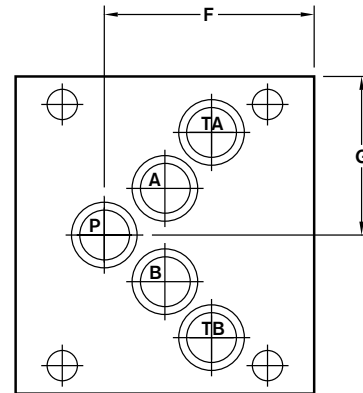
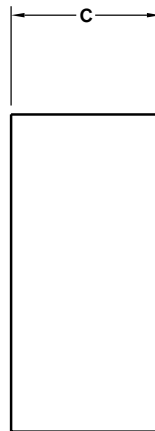
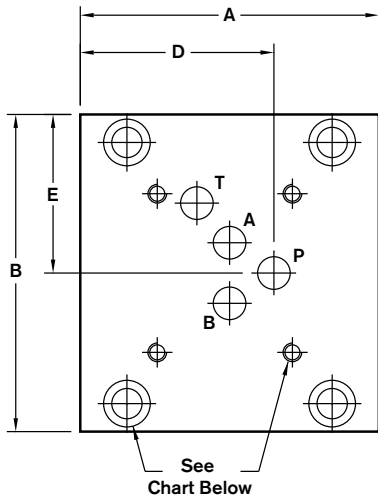
Aluminum 6061-T6, 3000 psi
Ductile Iron¹ 65-45-12, 5000 psi

= A
= D

Mounting Bolts

SAE
Metric

12 =
01 =



	Valve (Mtg.)	Adaptor (Mtg.)	O-Ring
12 = SAE	1/4-20 x 0.75 DP.	3/8-16 x 2	2-018
01 = Metric	M6 x (19 mm) DP.	M10 x 50 mm	2-018

Dimension	A	B	C	D	E	F	G
AP10-D06...	4.00	4.25	2.00	2.60	2.13	2.81	2.13

Mounting hardware and o-rings are supplied. Valve mounting bolts must be ordered separately.

1) Blackening

All dimensions in inches

Valve Adaptors D06 to D08 (Size 22)

APD06-22 - XX /

Revision

= XX

Material

Aluminum 6061-T6, 3000 psi

Ductile Iron¹ 65-45-12, 5000 psi

= A

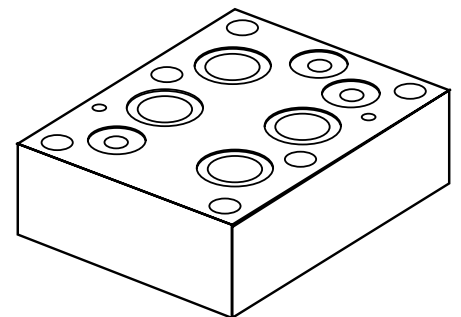
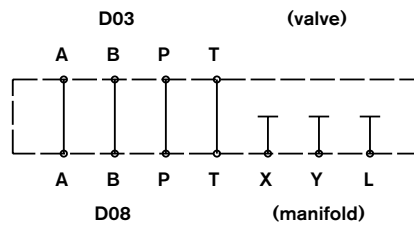
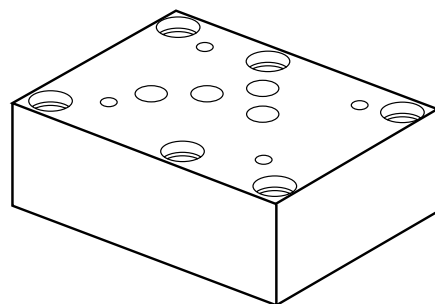
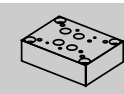
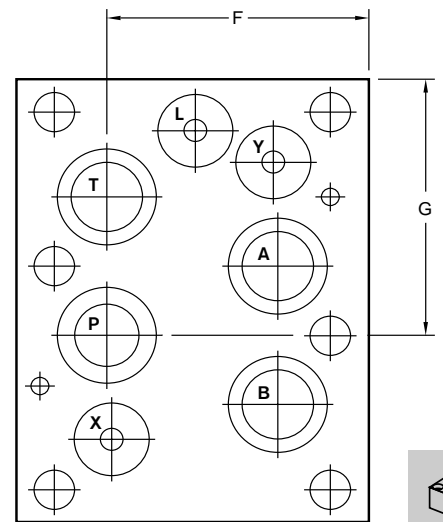
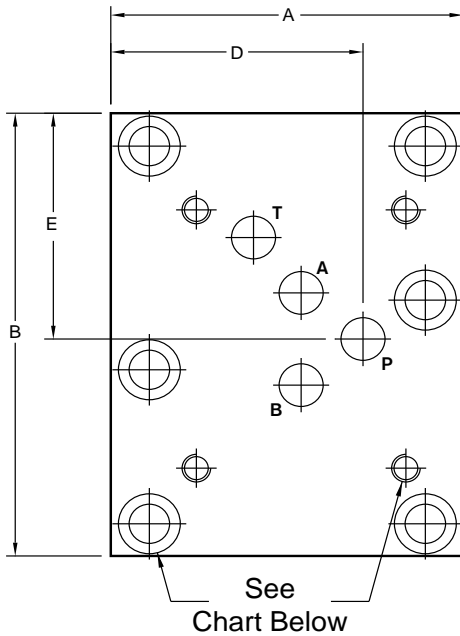
= D

12 =
01 =

Mounting Bolts

SAE

Metric



	Valve (Mtg.)	Adaptor (Mtg.)	O-Ring	O-ring
12 = SAE	3/8-16 x 0.60 DP.	1/2-13 x 3"	19 x 3 mm	27 x 3 mm
01 = Metric	M10 x (15 mm) DP.	M12 x 80 mm	19 x 3 mm	27 x 3 mm

Dimension	A	B	C	D	E	F	G
AP10-D06...	4.00	4.25	2.00	2.60	2.13	2.81	2.13

Mounting hardware and o-rings are supplied. Valve mounting bolts must be ordered separately.

1) Blackening

All dimensions in inches

Valve Adaptors

D08 (Size 22) to D10 (Size 32)

AP22-32 - XX / -

Revision

= XX

Material

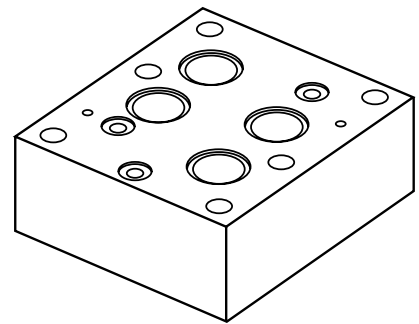
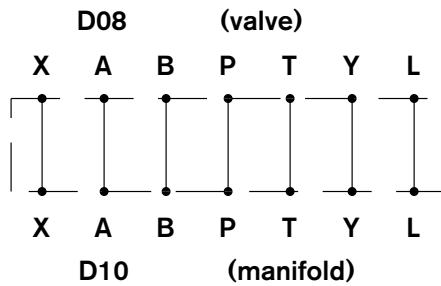
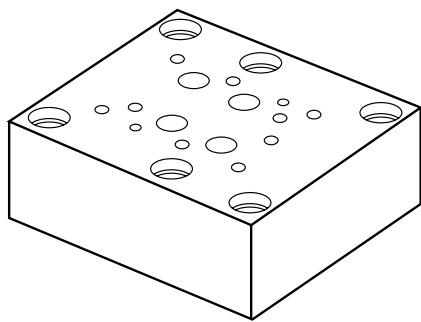
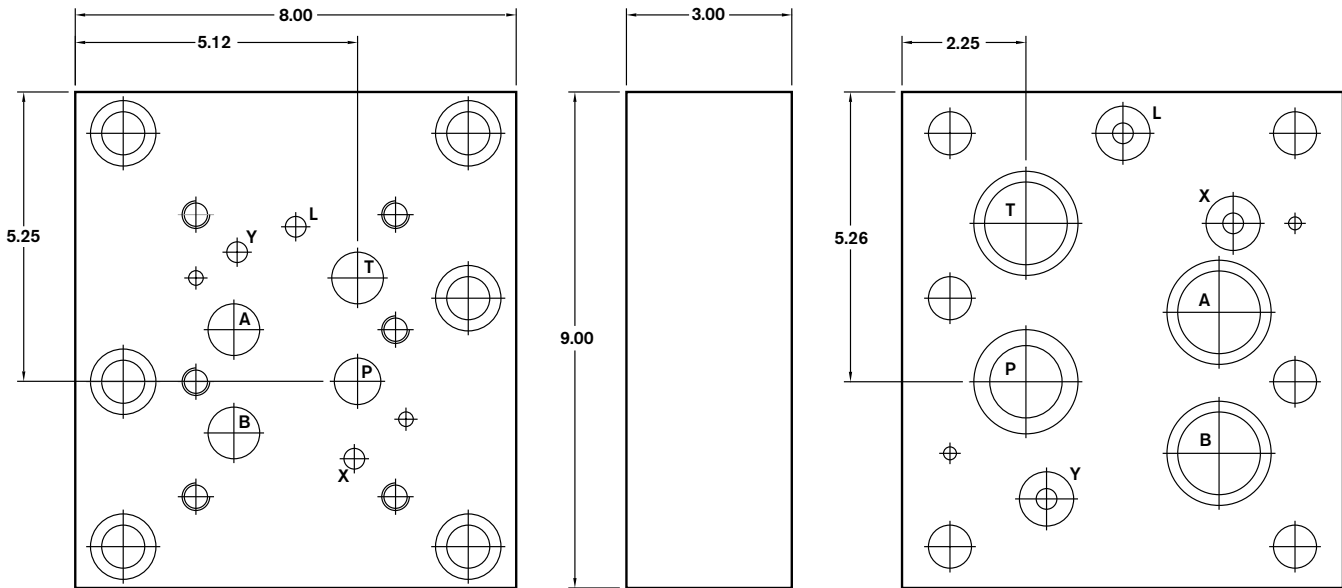
Aluminum 6061-T6, 3000 psi
 Ductile Iron¹ 65-45-12, 5000 psi

= A
 = D

Mounting Bolts

12 =
 01 =

SAE
 Metric



	Valve (Mtg.)	Adaptor (Mtg.)	O-Ring	O-Ring
12 = SAE	1/2-13 x 1.25 DP.	3/4-10 x 3	19 x 3mm	42 x 3mm
01 = Metric	M12 x 31.7mm DP.	M20 x 80mm	19 x 3mm	42 x 3mm

Mounting hardware and o-rings are supplied. Valve mounting bolts must be ordered separately.

1) Blackening

All dimensions in inches