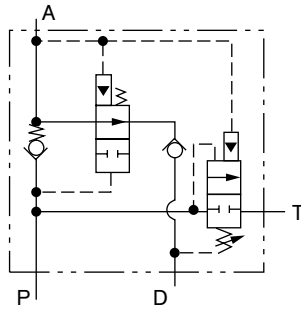


## Combination Accumulator Discharge/Differential Unloading Valve

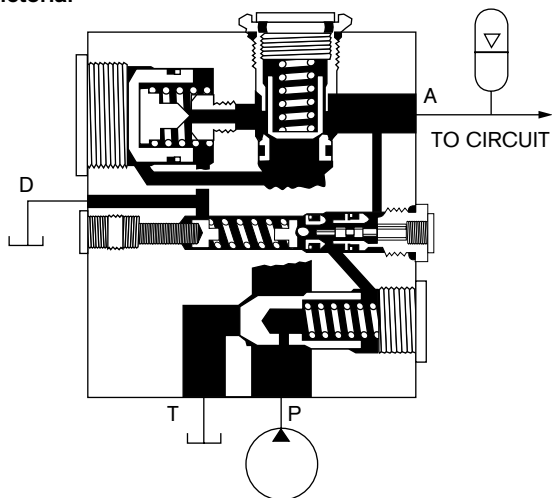
WITH INTEGRAL CHECK

50 GPM 3000PSI



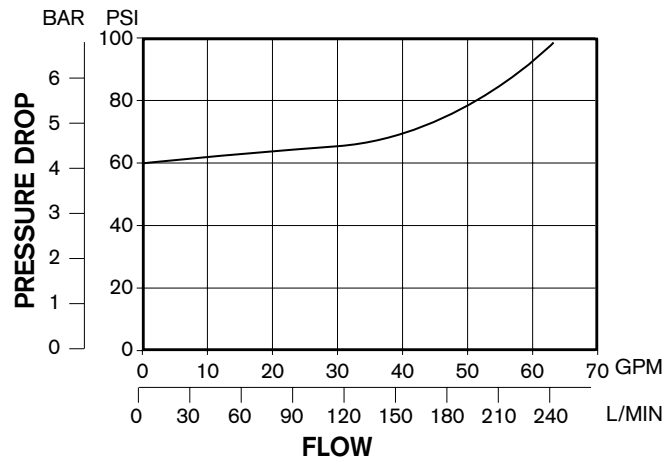
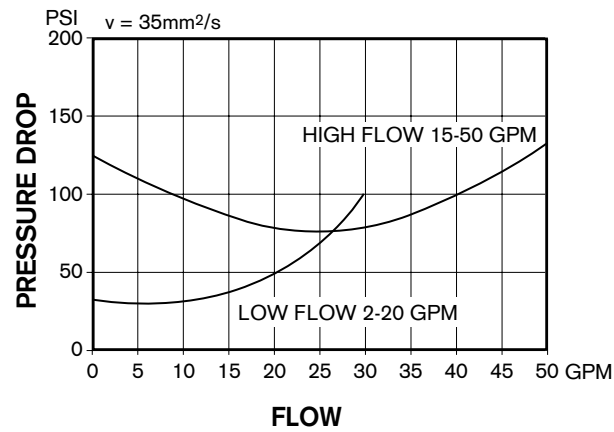
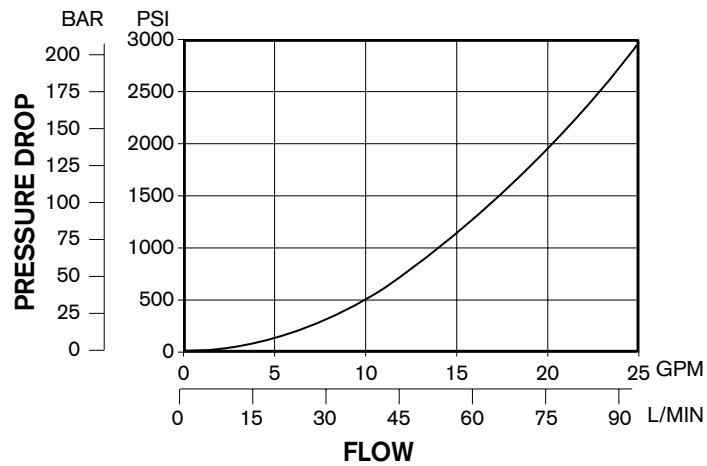
Specifications	
Valve Function	Accumulator Unloading and Discharge
Mounting	Inline not restricted
Fluid	Mineral-oil or fluid HFA / B / C / D
Viscosity	60. . . 2500 SUS (10. . . 500 cst)
Fluid-temperature	-13 to 176°F (-25 to 80°C)
Filtration	Contamination class 10, according to NAS 1638 can be realized with filter $\beta = 75$
Seals	Viton
Pressure differential (discharge valve)	140:1
Pilot pressure (discharge valve)	65psi (4.5bar)
Pressure differential (unloading valve)	25% of set pressure
Adjustment range	250 to 3000psi (17.2 to 207bar)
Flow rating	2 - 50gpm (8 - 190L/min)
Repeatability	Plus or minus 25psi (1.7bar)
Drain	Drain must be connected directly to tank. Back pressure to be less than 5% of setting.

### Pictorial

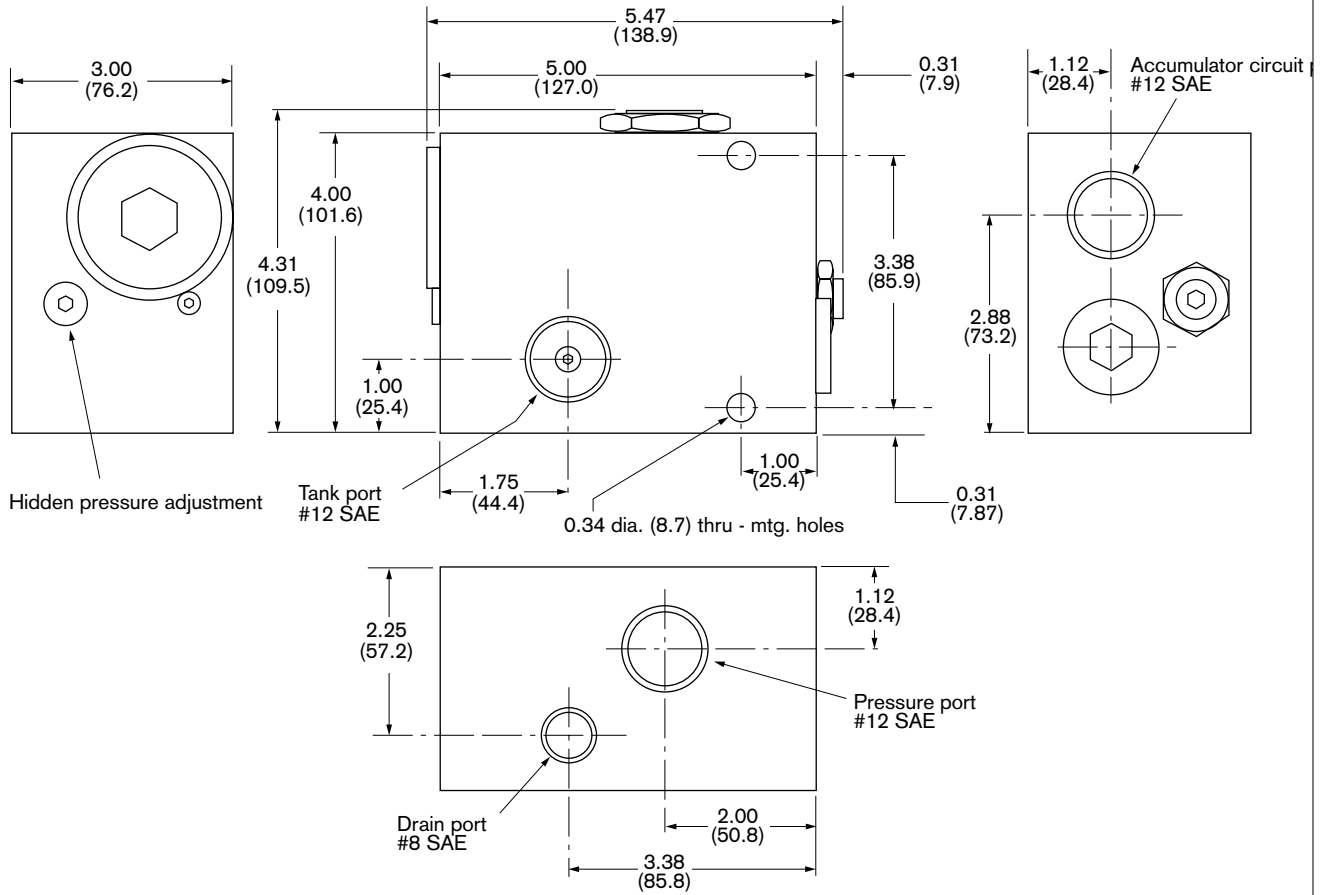


Designed for use in an accumulator circuit powered by a non-pressure compensated pump. This valve incorporates a check valve to prevent reverse flow. A differential unloading valve to unload the pump once the accumulator has been charged, and an accumulator discharge valve to automatically discharge the pressurized fluid in the accumulator upon loss of pump pressure.

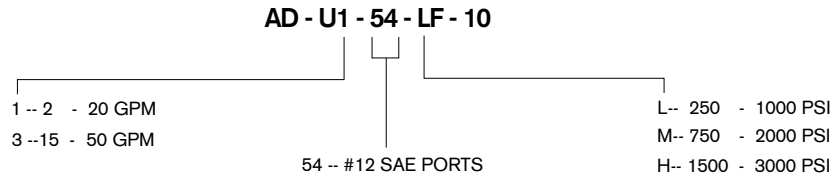
## Performance Characteristics (typical)

**PRESSURE DROP ACROSS CHECK VALVE****PRESSURE DROP WHEN UNLOADING****DISCHARGE RATE**

**Dimensional Data**



**How to Order**



AD-U1-54-LF-10	982383	AD-U3-54-LF-10	987626
AD-U1-54-MF-10	982384	AD-U3-54-MF-10	982381
AD-U1-54-HF-10	982385	AD-U3-54-HF-10	982382