

# Whisper™ Pumps VPV Vane Pumps

The Drive & Control Company





## Table of Contents

Introduction .....	2
Benefits .....	2
Specifications .....	3
Ordering Guide .....	6
Performance Characteristics .....	9
Performance Characteristics – VPV 16 to 3000 PSI (210 Bar) .....	10
Performance Characteristics – VPV 25 to 3000 PSI (210 Bar) .....	12
Performance Characteristics – VPV 32 to 3000 PSI (210 Bar) .....	14
Performance Characteristics – VPV 45 to 3000 PSI (210 Bar) .....	16
Performance Characteristics – VPV 63 to 3000 PSI (210 Bar) .....	18
Performance Characteristics – VPV 80 to 3000 PSI (210 Bar) .....	20
Performance Characteristics – VPV 100 to 3000 PSI (210 Bar) .....	22
Performance Characteristics – VPV 130 to 3000 PSI (210 Bar) .....	24
Performance Characteristics – VPV 164 to 3000 PSI (210 Bar) .....	26
VPV 16, Single pump, S.A.E. 'A' flange, RH rotation, Installation Drawing .....	28
VPV 16, Single pump, Metric flange, RH rotation, Installation Drawing .....	29
VPV 25/32, Single pump, S.A.E. 'B' flange, RH rotation, Installation Drawing .....	30
VPV 25/32, Single pump, Metric flange, RH rotation, Installation Drawing .....	31
VPV 45/63/80, Single pump, S.A.E. 'C' flange, RH rotation, Installation Drawing .....	32
VPV 45/63/80, Single pump, Metric flange, RH rotation, Installation Drawing .....	34
VPV 100/130/164, Single pump, S.A.E. 'D' flange, RH rotation, Installation Drawing .....	36
VPV 100/130/164, Single pump, Metric flange, RH rotation, Installation Drawing .....	38
VPV 16, Combination pump, S.A.E. 'A' flange, RH rotation, Installation Drawing .....	40
VPV 25/32, Combination pump, S.A.E. 'B' flange, RH rotation, Installation Drawing .....	41
VPV 32/16, Combination pump, S.A.E. 'B' flange, RH rotation, Installation Drawing .....	42
VPV 32/25, Combination pump, S.A.E. 'F' Gear pump, RH rotation, Installation Drawing .....	43
VPV 45/63/80 to VPV 16, S.A.E. & Metric Combination, Installation Drawing .....	44
VPV 45/63/80 to VPV 25/32, S.A.E. & Metric Combination, Installation Drawing .....	47
VPV 45/63/80 to an 'F' Gear pump, S.A.E. & Metric Combination, Installation Drawing .....	50
VPV 45/63/80 to an 'G' Gear pump, S.A.E. & Metric Combination, Installation Drawing .....	53
VPV 45/63/80 to VPV 45/63/80, S.A.E. & Metric Combination, Installation Drawing .....	55
VPV 100/130/164 to VPV 100/130/164 S.A.E. & Metric Combination, Installation Drawing .....	59
VPV 100/130/164 to VPV 16 S.A.E. & Metric Combination, Installation Drawing .....	61
VPV 100/130/164 to VPV 25/32 S.A.E. & Metric Combination, Installation Drawing .....	64
VPV 100/130/164 to VPV 45/63/80 S.A.E. & Metric Combination, Installation Drawing .....	67
VPV 100/130/164 to 'F' Gear pump, S.A.E. & Metric Combination, Installation Drawing .....	70
VPV Controls .....	74
Comparison of Sound Levels .....	76
Trouble Shooting .....	77
Adapter Kits for VPV Combinations Using P1 Pumps .....	78
Through Drive Horsepower Limitations .....	79
VPV Stroke Limiter Adjustment .....	80
3000 PSI Repair Parts .....	81
Vane Tip Orientation .....	87
Reaction Characteristics and Shock Clipper Function .....	88

## Introduction

This catalog introduces a new line of enhanced performance variable displacement pressure compensated vane pumps from Bosch Rexroth Corporation.

The pumps are designed to meet the requirements of the machine tool, general machinery, and other markets where low noise, high performance and competitive pricing are needed.

The design of the VPV series of vane pumps utilizes 30 years of field and manufacturing experience from the current Rexroth vane pump line. State-of-the-art technologies and materials were utilized while retaining the superior features of the existing designs. Additional goals were to create a pump with the international market in mind and to incorporate the extremely high quality standards the Rexroth name has come to exemplify.

Keeping in mind market expectations, Bosch Rexroth Corporation developed a pump with the following improvements and features:

1. High reliability with fewer parts.
2. Significant advances in noise reduction.
3. High volumetric and overall efficiency.
4. Excellent durability.
5. Modern appearance.
6. Improved ring and vane wear technology.
7. Very good response and recovery times.
8. Generally reduced envelope size.
9. Redesigned controls with shock clipper.
10. Conforms to the latest SAE, ISO, NFPA, and ANSI standards.
11. Combination capability - full horsepower may be transferred to pump 2. Combinations of construction of multiple pumps may be required to be de-rated.

## Benefits

- **LOW COST** - Competitively priced with other manufacturers of vane pumps and economy axial piston pumps.
- **EXCEPTIONALLY QUIET** - Helps machinery builders meet government and purchased sound level requirements.
- **CONTINUOUS DUTY RATING** - @ 3,000 PSI - High performance and long life design for 10,000 plus hours.
- **HIGHLY EFFICIENT FAST RESPONSE & RECOVERY** - Exceptional reaction time for critical system demands.
- **PRESSURE COMPENSATED** - Controls pump delivery to circuit demand thereby conserving energy.
- **HIGH STRENGTH** - Computer optimized casting design.
- **HYDRODYNAMIC JOURNAL BEARINGS** - Provides long life and quiet operation.
- **NO PREFILL REQUIREMENTS** - Pump case prefill not required for initial start-ups.
- **REPAIRABLE** - Repair kits and parts available from local distribution centers or the factory.
- **CONTROL OPTIONS** - Single stage; two-stage, remote control; solenoid multi-pressure, and load sensing.
- **SHOCK CLIPPER** - Reduces shock pressure by up to 50% increasing system component life and system stability. Must be plumbed on VPV 16, 25, & 32. The shock clipper is integrated into VPV 45, 63, 80, 100, 130, & 164 and drains to the case drain. See page 88.

## Specifications

General		VPV 16	VPV 25	VPV 32
Displacement (Nominal)		1 in <sup>3</sup> /rev (16 cm <sup>3</sup> /rev)	1.5 in <sup>3</sup> /rev (25 cm <sup>3</sup> /rev)	2 in <sup>3</sup> /rev (32 cm <sup>3</sup> /rev)
Displacement (Actual)		1.06 in <sup>3</sup> /rev (17.37 cm <sup>3</sup> /rev)	1.66 in <sup>3</sup> /rev (27.20 cm <sup>3</sup> /rev)	2.05 in <sup>3</sup> /rev (33.59 cm <sup>3</sup> /rev)
Flow at 1750 RPM <sup>1</sup>		7.57 GPM (28.6 L/min)	11.36 GPM (43.0 L/min)	15.15 GPM (57.3 L/min)
Maximum continuous pressure <sup>2</sup>		3000 psi (210 bar)		
Pressure compensating range	Single stage	200-3000 psi (14-210 bar) Minimum pressure of 190 PSI		
	Two stage	300-3000 psi (20-210 bar) Minimum pressure of 290 PSI		
Maximum transient spike pressure		3800 psi (260 bar)	4000 psi (280 bar)	
Maximum case pressure		10 psi (0.7 bar)		
Speed range		1150-1800 RPM		
Direction of rotation (viewed from shaft end)		Right hand (clockwise)		
Case drain flow while compensating @ 1800 RPM	1000 psi (70 bar)	0.6 GPM (2.3 L/min)	0.6 GPM (2.3 L/min)	
	2000 psi (140 bar)	0.9 GPM (3.4 L/min)	1.1 GPM (4.2 L/min)	
	3000 psi (210 bar)	1.26 GPM (4.8 L/min)	1.4 GPM (5.3 L/min)	
Maximum inlet vacuum at sea level		6 in. HG (152 mm HG)		
Mounting <sup>3</sup> – SAE 2-bolt flange (ISO 3019/1)		S.A.E. 'A' 2-bolt flange	S.A.E. 'B' 2-bolt flange	
Mounting Position		Unrestricted		
Port sizes	Inlet	#16 S.A.E.	#24 S.A.E.	
	Outlet	#12 S.A.E.	#16 S.A.E.	
	Case drain	#8 S.A.E.		
	Clipper control drain (optional)	#6 S.A.E.		
	Remote control (optional)	#4 S.A.E.		
Drive		Pump to be connected to prime mover by means of a flexible coupling that is aligned to a maximum of 0.006" (.152mm) total indicator reading. No overhung or side loads permitted. Alignments greater than 0.006" indicator reading could cause increased noise and vibration as well as premature shaft seal wear resulting in leakage.		
Fluid recommendations		A premium quality hydraulic oil with anti-wear additives is recommended, but not required. Refer to publication 9 535 233 456 "Petroleum Hydraulic Fluids" for a list of fluids which meet or exceed the necessary lubrication requirements. Consult factory for use with water base fire resistant fluids.		
Fluid viscosity at operating temperature	Minimum	100 SUS (21 cSt)		
	Maximum	1000 SUS (216 cSt)		
	Optimum	150-250 SUS (32-54 cSt)		
	Maximum start-up	4000 SUS (864 cSt)		
Fluid temperature		Normal inlet fluid temperature should not exceed 140°F (60° C). Always select a fluid for optimum viscosity at operating temperature. Consult factory for applications assistance when inlet fluid temperatures over 140° F (60° C) are expected.		
Seals		Fluorocarbon Standard		
Filtration		Fluid cleanliness per ISO/DIS 4406 should be 18/15 or better for pressures of 2000 psi or less. For continuous operating pressures of 2000 to 3000 psi, fluid cleanliness should be 17/14 or better.		
Response time (circuit dependent)	Full flow to minimum flow	20-35 ms	20-35 ms	
Recovery time (circuit dependent)	Minimum flow to full flow	50-135 ms – single stage compensator	70-185 ms – single stage compensator	
Weight	Single stage	34 lbs. (16.5 kg)	61 lbs. (28 kg)	
	Two stage	38 lbs. (17.3 kg)	65 lbs. (28.5 kg)	

<sup>1</sup> Flows are actual. Volumetric efficiencies shown in technical data taken into account.

<sup>2</sup> For new applications exceeding 2300 psi (159 bar) system pressure, please consult factory.

<sup>3</sup> Metric 4-bolt flange available (ISO 3019/2) available. Please consult factory.

## Specifications

General		VPV 45	VPV 63	VPV 80
Displacement (Nominal)		2.75 in <sup>3</sup> /rev (45 cm <sup>3</sup> /rev)	3.84 in <sup>3</sup> /rev (63 cm <sup>3</sup> /rev)	4.88 in <sup>3</sup> /rev (80 cm <sup>3</sup> /rev)
Displacement (Actual)		2.98 in <sup>3</sup> /rev (48.83 cm <sup>3</sup> /rev)	4.03 in <sup>3</sup> /rev (66.04 cm <sup>3</sup> /rev)	5.06 in <sup>3</sup> /rev (82.92 cm <sup>3</sup> /rev)
Flow at 1750 RPM <sup>1</sup>		20.83 GPM (72.84 L/min)	29.10 GPM (110.1 L/min)	36.97 GPM (139.9 L/min)
Maximum continuous pressure <sup>2</sup>		3000 psi (210 bar)		
Pressure compensating range Two stage		350-3000 psi (24-210 bar) Minimum pressure of 300 PSI		
Maximum transient spike pressure		4000 psi (280 bar)		
Maximum case pressure		10 psi (0.7 bar)		
Speed range		1150-1800 RPM		
Direction of rotation (viewed from shaft end)		Right hand (clockwise)		
Case drain flow while compensating @ 1800 RPM	1000 psi (70 bar)	1.5 GPM (5.7 L/min)	1.4 GPM (5.3 L/min)	1.4 GPM (5.3 L/min)
	2000 psi (140 bar)	1.9 GPM (7.2 L/min)	1.8 GPM (6.8 L/min)	1.8 GPM (6.8 L/min)
	3000 psi (210 bar)	2.5 GPM (9.5 L/min)	2.4 GPM (9.1 L/min)	2.3 GPM (8.7 L/min)
Maximum inlet vacuum at sea level		6 in. HG (152 mm HG)		
Mounting <sup>3</sup> – SAE 2-bolt flange (ISO 3019/1)		S.A.E. 'C' 2-Bolt flange		
Mounting Position		Unrestricted		
Port sizes	Inlet	2" S.A.E.		
	Outlet	1 1/4" S.A.E. flange		
	Case drain	#8 S.A.E.		
	Remote control (optional)	#4 S.A.E.		
Drive		Pump to be connected to prime mover by means of a flexible coupling that is aligned to a maximum of 0.006" (.152mm) total indicator reading. No overhung or side loads permitted. Alignments greater than 0.006" indicator reading could cause increased noise and vibration as well as premature shaft seal wear resulting in leakage.		
Fluid recommendations		A premium quality hydraulic oil with anti-wear additives is recommended, but not required. Refer to publication 9 535 233 456 "Petroleum Hydraulic Fluids" for a list of fluids which meet or exceed the necessary lubrication requirements. Consult factory for use with water base fire resistant fluids.		
Fluid viscosity at operating temperature	Minimum	150 SUS (32 cSt)		
	Maximum	1000 SUS (216 cSt)		
	Optimum	200-300 SUS (43-65 cSt)		
	Maximum start-up	4000 SUS (864 cSt)		
Fluid temperature		Normal inlet fluid temperature should not exceed 140°F (60° C). Always select a fluid for optimum viscosity at operating temperature. Consult factory for applications assistance when inlet fluid temperatures over 140° F (60° C) are expected.		
Seals		Fluorocarbon Standard		
Filtration		Fluid cleanliness per ISO/DIS 4406 should be 18/15 or better for pressures of 2000 psi or less. For continuous operating pressures of 2000 to 3000 psi, fluid cleanliness should be 17/14 or better.		
Response time (circuit dependent)	Full flow to minimum flow	20-40 ms		
Recovery time (circuit dependent)	Minimum flow to full flow	100-200 ms – two stage compensator		
Weight	Single stage	120 lbs. (55 kg)		
	Two stage	128 lbs. (58 kg)		

<sup>1</sup> Flows are actual. Volumetric efficiencies shown in technical data taken into account.

<sup>2</sup> For new applications exceeding 2300 psi (159 bar) system pressure, please consult factory.

<sup>3</sup> Metric 4-bolt flange available (ISO 3019/2) available. Please consult factory.

## Specifications

General		VPV 100	VPV 130	VPV 164
Displacement (Nominal)		6.1 in <sup>3</sup> /rev (100 cm <sup>3</sup> /rev)	7.9 in <sup>3</sup> /rev (130 cm <sup>3</sup> /rev)	10.0 in <sup>3</sup> /rev (164 cm <sup>3</sup> /rev)
Displacement (Actual)		6.49 in <sup>3</sup> /rev (106.35 cm <sup>3</sup> /rev)	8.25 in <sup>3</sup> /rev (135.19 cm <sup>3</sup> /rev)	10.33 in <sup>3</sup> /rev (169.28 cm <sup>3</sup> /rev)
Flow at 1750 RPM <sup>1</sup>		45.4 GPM (171.8 L/min)	59.85 GPM (226.5 L/min)	75.76 GPM (286.7 L/min)
Maximum continuous pressure <sup>2</sup>		3000 psi (210 bar)		3000 psi (210 bar)
Pressure compensating	Two stage	350-3000 psi (24-210 bar)		350-3000 psi (24-210 bar)
Maximum transient spike pressure		4000 psi (280 bar)		4000 psi (280 bar)
Maximum case pressure		10 psi (0.7 bar)		
Speed range		1150-1800 RPM		
Direction of rotation (viewed from shaft end)		Right hand (clockwise)		
Case drain flow	1000 psi (70 bar)	1.5 GPM (5.7 L/min)	1.6 GPM (6.0 L/min)	1.7 GPM (6.4 L/min)
while compensating	2000 psi (140 bar)	2.0 GPM (7.6 L/min)	2.2 GPM (8.3 L/min)	2.3 GPM (8.7 L/min)
@1800 RPM	3000 psi (210 bar)	2.5 GPM (9.5 L/min)	3.0 GPM (11.3 L/min)	3.1 GPM (11.7 L/min)
Maximum inlet vacuum at sea level		6 in. HG (152 mm HG)		
Mounting <sup>3</sup> – SAE 2-bolt flange (ISO 3019/1)		S.A.E. 'D', 2-bolt flange		
Mounting Position		Unrestricted		
Port sizes	Inlet	2 1/2" S.A.E.		
	Outlet	1 1/2" S.A.E.		
	Case drain	#8 S.A.E.		
	Remote control (optional)	#4 S.A.E.		
Drive		Pump to be connected to prime mover by means of a flexible coupling that is aligned to a maximum of 0.006" (.152mm) total indicator reading. No overhung or side loads permitted. Alignments greater than 0.006" indicator reading could cause increased noise and vibration as well as premature shaft seal wear resulting in leakage.		
Fluid recommendations		A premium quality hydraulic oil with anti-wear additives is recommended, but not required. Refer to publication 9 535 233 456 "Petroleum Hydraulic Fluids" for a list of fluids which meet or exceed the necessary lubrication requirements. Consult factory for use with water base fire resistant fluids.		
Fluid viscosity at operating temperature	Minimum	150 SUS (32 cSt)		
	Maximum	1000 SUS (216 cSt)		
	Optimum	200-300 SUS (42-65 cSt)		
	Maximum start-up	4000 SUS (864 cSt)		
Fluid temperature		Normal inlet fluid temperature should not exceed 140°F (60° C). Always select a fluid for optimum viscosity at operating temperature. Consult factory for applications assistance when inlet fluid temperatures over 140° F (60° C) are expected.		
Seals		Fluorocarbon Standard		
Filtration		Fluid cleanliness per ISO/DIS 4406 should be 18/15 or better for pressures of 2000 psi or less. For continuous operating pressures of 2000 to 3000 psi, fluid cleanliness should be 17/14 or better.		
Response time (circuit dependent)	Full flow to minimum flow	20-50 ms		
Recovery time (circuit dependent)	Minimum flow to full flow	180-280 ms – two stage compensator		
Weight	Single stage	240 lbs. (109 kg)		
	Two stage	248 lbs. (112.7 kg)		

<sup>1</sup> Flows are actual. Volumetric efficiencies shown in technical data taken into account.

<sup>2</sup> For new applications exceeding 2300 psi (159 bar) system pressure, please consult factory.

<sup>3</sup> Metric 4-bolt flange available (ISO 3019/2) available. Please consult factory.

## Ordering Guide

### Code Structure

The alpha-numeric ordering code system enables any particular type of pump to be specified. Preferred type are also identified by a 10-digit part number for computerized ordering.

Item No.	1	2	3	4	5	6	7	8	9	10	11	12	13	14	15
Pump 1	0513	R	18	C	3	V	P	V	32	S	M	21	F	Z	B03
Pump 2***						V	P	V	32	S	M	21	F	Z	B03
Pump 3 (Gear Pump)						AZ	P	F	14	R	R	R	12	M	B

Item No	Code	
<b>1</b>		<b>Code Digit</b>
	<b>0513</b>	Vane Pump, stand alone version single pump or combination
<b>2</b>		<b>Direction of Rotation</b>
	<b>R</b>	Clockwise, viewed from shaft end
<b>3</b>		<b>Speed</b>
	<b>12</b>	maximum speed; e.g. 1150 rpm = 12
	<b>15</b>	1450 rpm = 15
	<b>18</b>	1750 rpm = 18
<b>4</b>		<b>Drive Shaft</b>
	<b>A</b>	Key to DIN 6885
	<b>C</b>	Key to SAE Standard
	<b>D</b>	Spline to ANSI B92.1
<b>5</b>		<b>Bearing Arrangement / Mounting Flange</b>
	<b>3</b>	Standard bearing arrangement, mounting flange to SAE standards
	<b>7</b>	Standard bearing arrangement, mounting flange to DIN ISO 3019/2
<b>6</b>		<b>Principle of Operation</b>
	<b>V</b>	Vane Type
<b>7</b>		<b>Mode of Operation</b>
	<b>P</b>	Pump
<b>8</b>		<b>Type of Construction</b>
	<b>V</b>	Variable displacement pump (open circuit)
<b>9</b>		<b>Displacement</b>
	<b>16</b>	16 cc/rev = .98 cu in/rev
	<b>25</b>	25 cc/rev = 1.53 cu in/rev
	<b>32</b>	32 cc/rev = 1.95 cu in/rev
	<b>45</b>	45 cc/rev = 2.75 cu in/rev
	<b>63</b>	63 cc/rev = 3.84 cu in/rev
	<b>80</b>	80 cc/rev = 4.88 cu in/rev
	<b>100</b>	100 cc/rev = 6.10 cu in/rev
	<b>130</b>	130 cc/rev = 7.93 cu in/rev
	<b>164</b>	164 cc/rev = 10.00 cu in/rev
<b>10</b>		<b>Housing</b>
	<b>S</b>	210 bar = 3000 psi.
<b>11</b>		<b>Operating Fluid</b>
	<b>C</b>	Water glycol
	<b>M</b>	Mineral Oil and Ester

\*\*\* When trailing pump is another VPV pump, it can be coded by selecting items 6 through 15 for the alpha-numeric description. Consult factory for other models and descriptions of trailing pumps.

### Price and Part Numbers

See VPV Pump Identification Guide, Publication # 9 535 233 782 for SAE, and 9 535 233 785 for metric pumps.

### Product Literature Disclaimer

Specifications and/or dimensions are subject to change without prior notice. Please consult factory.

## Ordering Guide (cont.)

Item No	Code	
12		<b>Operating Pressure</b>
	14	Maximum operating pressure; e.g. 14 = 140 bar = 2000 psi
	21	21 = 210 bar = 3000 psi
13		<b>Control / Regulator</b>
	F	Pressure regulator - single stage 16/25/32cc only
	G	Pressure regulator - single stage - lockable 16/25/32cc only
	H	Pressure regulator - two stage - with remote option
	J	Combined pressure/flow compensator (load sense)
	S	Torque limiter <b>(PHASED OUT 2002)</b>
	T	Proportional P/Q <b>(PHASED OUT 2002)</b>
		<b>Solenoid Operated Two Press. Norm. (Normally open)/Normally Low Pressure/Energize to High</b>
	XA	115V N.O. w/DIN 43650 & quick connect (compression fitting) w/sentinel light
	XB	220V N.O. w/DIN 43650 & quick connect (compression fitting) w/sentinel light
	XC	12V N.O. w/DIN 43650 & quick connect (compression fitting) w/sentinel light
	XD	24V N.O. w/DIN 43650 & quick connect (compression fitting) w/sentinel light
	XE	115V N.O. w/flying leads
	XF	220V N.O. w/flying leads
	XG	12V N.O. w/flying leads
	XH	24V N.O. w/flying leads
		<b>Solenoid Operated Two Press. Normally Closed (Normally High Pressure/Energize to Low)</b>
	YA	115V N.C. w/DIN 43650 & quick connect (compression fitting) w/sentinel light
	YB	220V N.C. w/DIN 43650 & quick connect (compression fitting) w/sentinel light
	YC	12V N.C. w/DIN 43650 & quick connect (compression fitting) w/sentinel light
	YD	24V N.C. w/DIN 43650 & quick connect (compression fitting) w/sentinel light
	YE	115V N.C. w/flying leads
	YF	220V N.C. w/flying leads
	YG	12V N.C. w/flying leads
	YH	24V N.C. w/flying leads
		<b>Solenoid Operated Vent Two Press. Normally Open (Normally Vented/Energize to Pressure)</b>
	ZA	115V N.O. w/DIN 43650 & quick connect (compression fitting) w/sentinel light
	ZB	220V N.O. w/DIN 43650 & quick connect (compression fitting) w/sentinel light
	ZC	12V N.O. w/DIN 43650 & quick connect (compression fitting) w/sentinel light
	ZD	24V N.O. w/DIN 43650 & quick connect (compression fitting) w/sentinel light
	ZE	115V N.O. w/flying leads
ZF	220V N.O. w/flying leads	
ZG	12V N.O. w/flying leads	
ZH	24V N.O. w/flying leads	
	<b>Solenoid Operated Vented Norm. High Normally closed (Normally at Pressure/Energize to Vent)</b>	
WA	115V N.C. w/DIN 43650 & quick connect (compression fitting) w/sentinel light	
WB	220V N.C. w/DIN 43650 & quick connect (compression fitting) w/sentinel light	
WC	12V N.C. w/DIN 43650 & quick connect (compression fitting) w/sentinel light	
WD	24V N.C. w/DIN 43650 & quick connect (compression fitting) w/sentinel light	
WE	115V N.C. w/flying leads	
WF	220V N.C. w/flying leads	
WG	12V N.C. w/flying leads	
WH	24V N.C. w/flying leads	
14		<b>Accessories</b>
	S	Special (Consult Factory)
	Y	Maximum delivery limiter
	Z	No other accessories
15	<b>B01</b>	<b>Design Series</b>
	P1	Pump 1 of a quick combination unit (adapter kit & coupling required to create a combination-see page 78)

## Ordering Guide (cont.)

## Gear Pump Guide

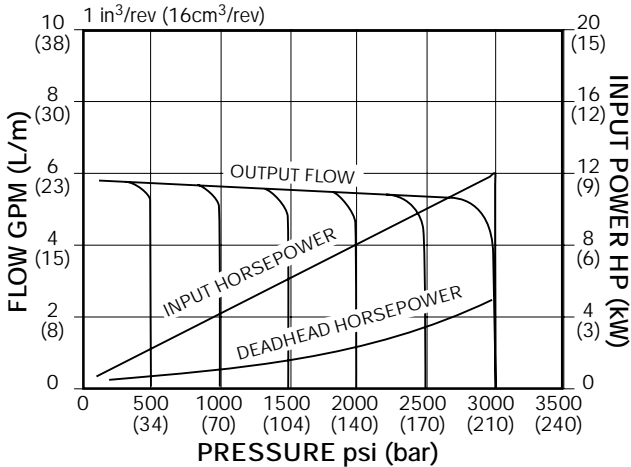
Item No	Code	
6		<b>Principle of Operation</b>
	AZ	Hydraulic Gear
7		<b>Function</b>
	P	Pump
	M	Motor
8		<b>Size Range</b>
	F	F Series 4 cc to 28 cc
	G	G Series 22 cc to 56 cc
9		<b>Displacement</b>
	4	4 cc/rev = .24 cu in/rev 25 cc/rev = 1.53 cu in/rev
	5.5	5.5 cc/rev = .34 cu in/rev 28 cc/rev = 1.71 cu in/rev
	8	8 cc/rev = .49 cu in/rev 32 cc/rev = 1.95 cu in/rev
	11	11 cc/rev = .67 cu in/rev 38 cc/rev = 2.32 cu in/rev
	14	14 cc/rev = .85 cu in/rev 45 cc/rev = 2.75 cu in/rev
	16	16 cc/rev = .98 cu in/rev 56 cc/rev = 3.42 cu in/rev
	19	19 cc/rev = 1.16 cu in/rev
	22.5	22.5 cc/rev = 1.37 cu in/rev
10		<b>Direction of Rotation</b>
	R	Right hand (clockwise)
11		<b>Shaft Type</b>
	R	9T Spline Shaft
	Q	5/8" diameter keyed shaft
12		<b>Mounting Shaft</b>
	R	SAE A Pilot (3.25")
13		<b>Port Type</b>
	12	SAE Thread (O-ring Boss)
14		<b>Seals</b>
	M	Buna
	P	Viton
15		<b>End Cover</b>
	B	Standard, Side Ports
	A	Optional Rear Ports

**On the following pages are line graphs of the Performance Characteristics for each of the pumps in our series. Characteristics are shown at 1200 PSI, 1500 PSI and 3000 PSI. Since different geographical areas require different data, please refer to the appropriate graph.**

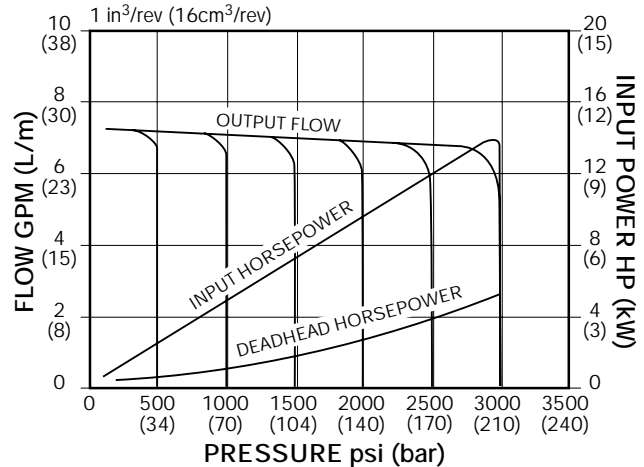
**Performance Characteristics – VPV 16 to 3000 PSI (210 Bar)**

Data plotted: with oil at 120°F (49°C) Viscosity at 120° = 140 SUS (29.6 cSt)

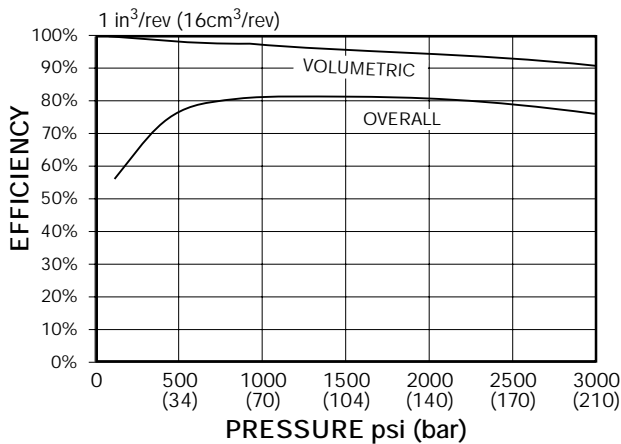
**OUTPUT FLOW & POWER @ 1200 rpm**



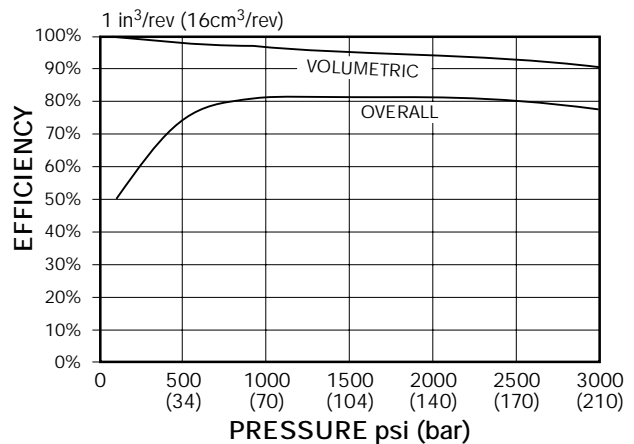
**OUTPUT FLOW & POWER @ 1500 rpm**



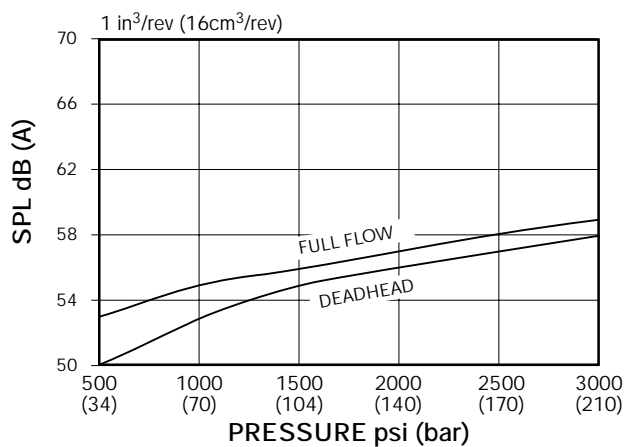
**EFFICIENCY @ 1200 rpm**



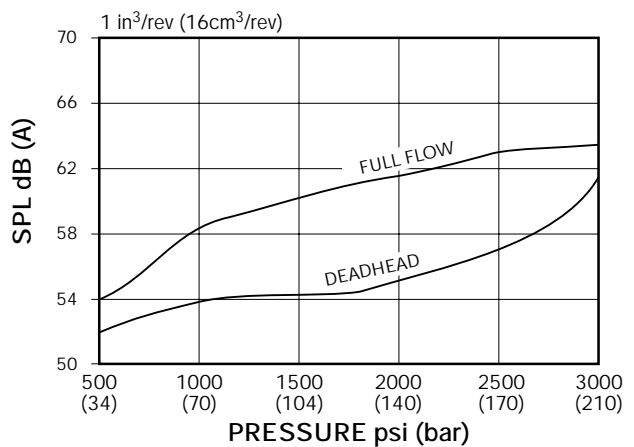
**EFFICIENCY @ 1500 rpm**



**SOUND PRESSURE @ 1200 rpm**



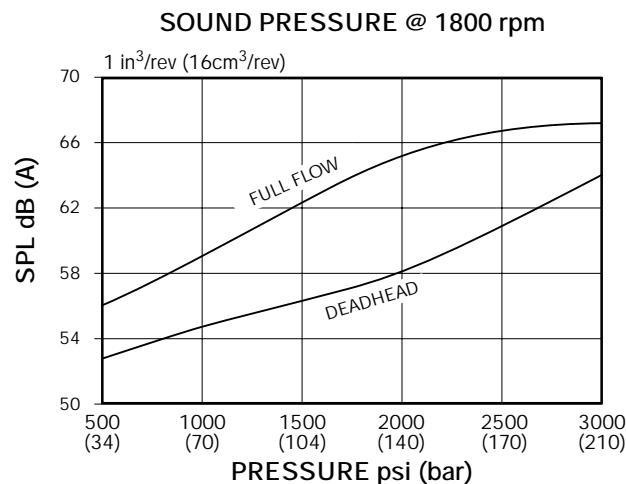
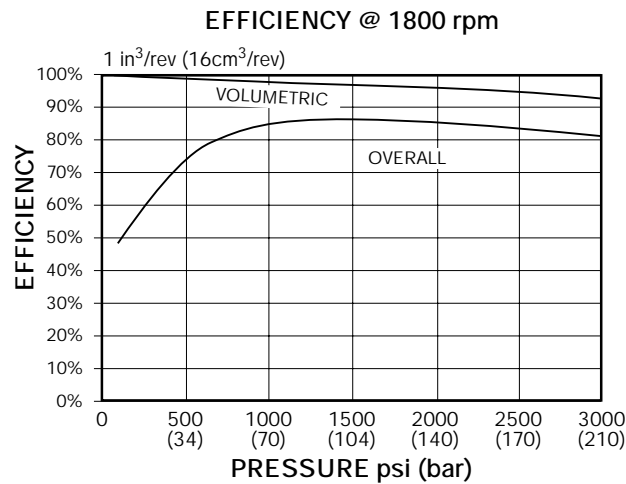
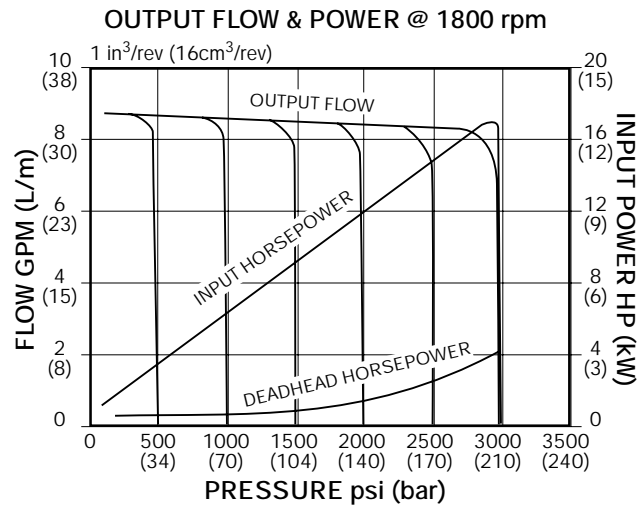
**SOUND PRESSURE @ 1500 rpm**



Sound pressure levels measured in a hemi-anechoic chamber w/microphone placed 1 meter away at discrete locations. Sound pressure levels are spatially and time-weighted averaged.

**Performance Characteristics – VPV 16 to 3000 PSI (210 Bar) (continued)**

Data plotted: with oil at 120°F (49°C) Viscosity at 120° = 140 SUS (29.6 cSt)

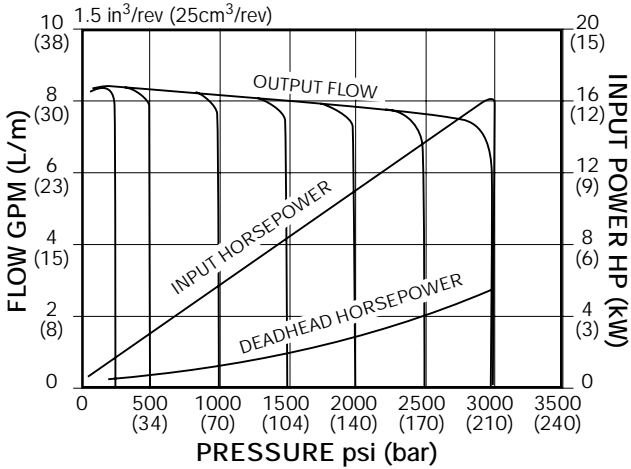


Sound pressure levels measured in a hemi-anoich chamber w/microphone placed 1 meter away at discrete locations. Sound pressure levels are spacially and time-weighted averaged.

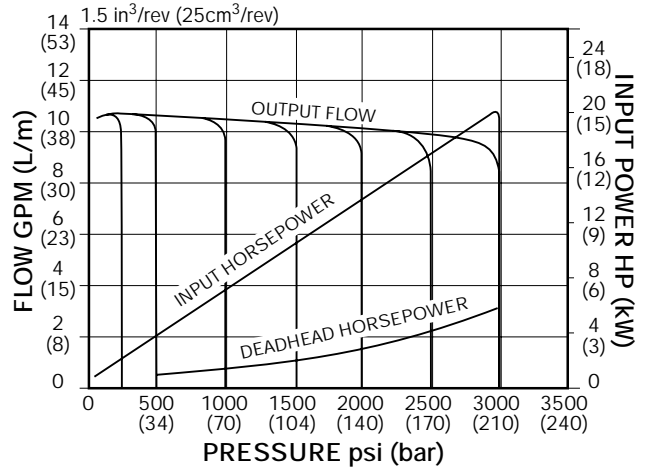
### Performance Characteristics – VPV 25 to 3000 PSI (210 Bar)

Data plotted: with oil at 120°F (49°C) Viscosity at 120° = 140 SUS (29.6 cSt)

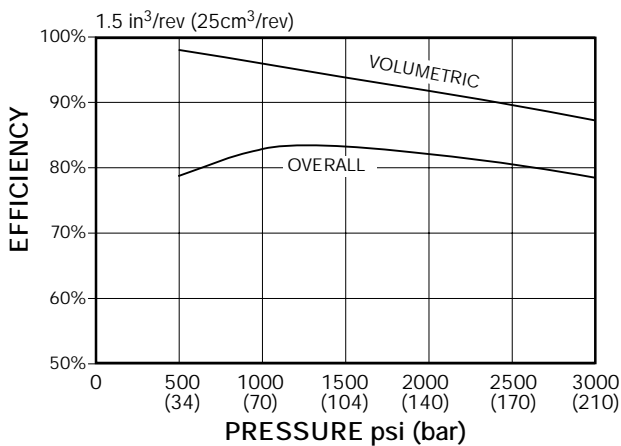
OUTPUT FLOW & POWER @ 1200 rpm



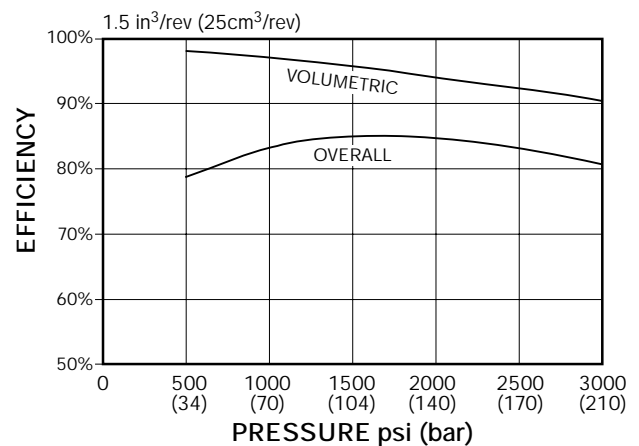
OUTPUT FLOW & POWER @ 1500 rpm



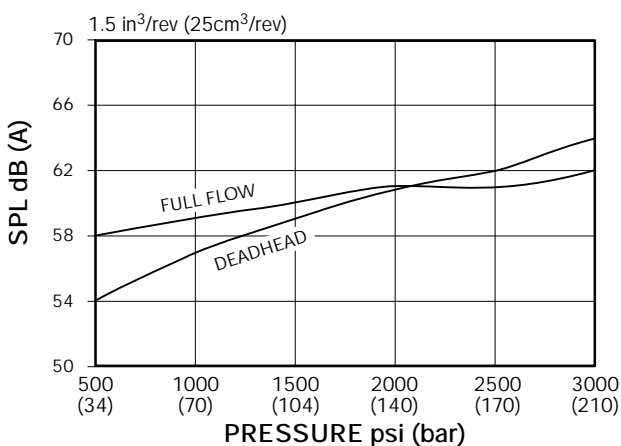
EFFICIENCY @ 1200 rpm



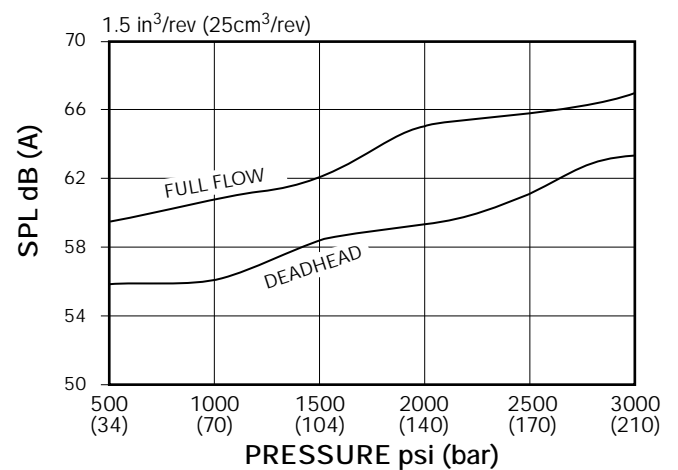
EFFICIENCY @ 1500 rpm



SOUND PRESSURE @ 1200 rpm



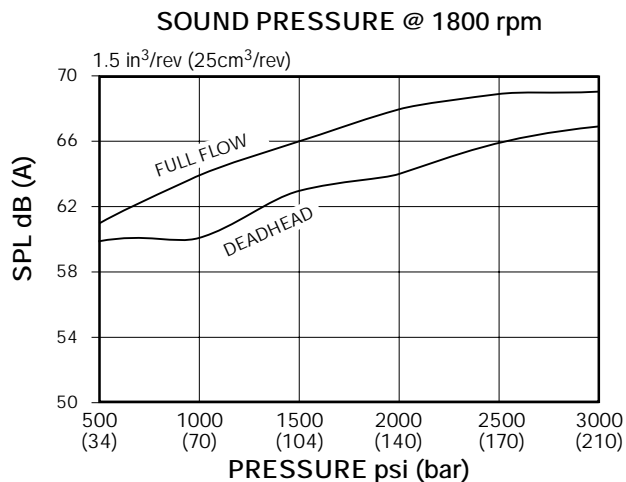
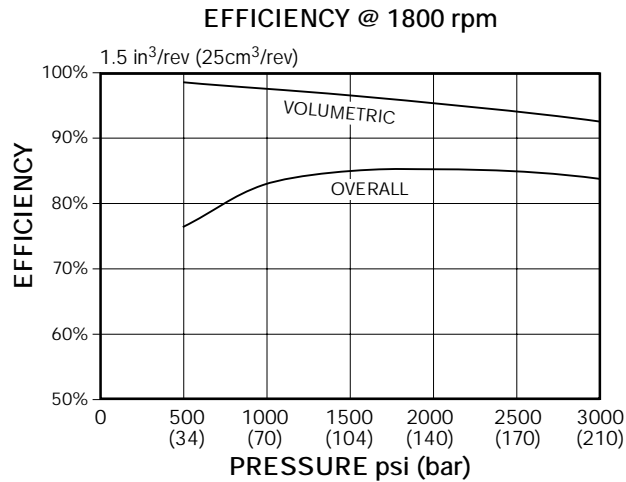
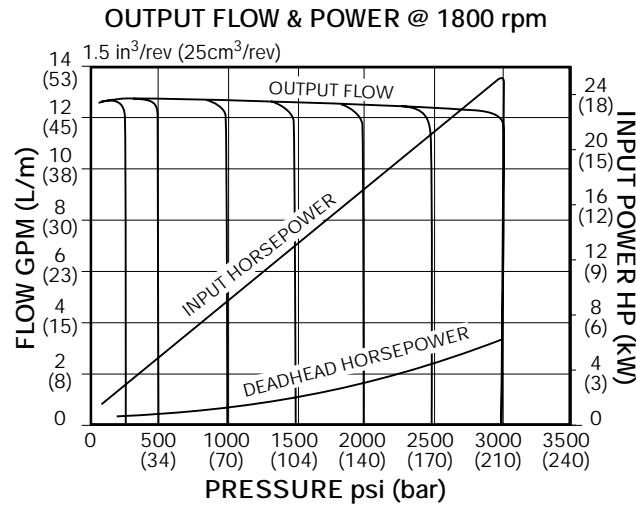
SOUND PRESSURE @ 1500 rpm



Sound pressure levels measured in a hemi-anechoic chamber w/microphone placed 1 meter away at discrete locations. Sound pressure levels are spatially and time-weighted averaged.

### Performance Characteristics – VPV 25 to 3000 PSI (210 Bar) (continued)

Data plotted: with oil at 120°F (49°C) Viscosity at 120° = 140 SUS (29.6 cSt)

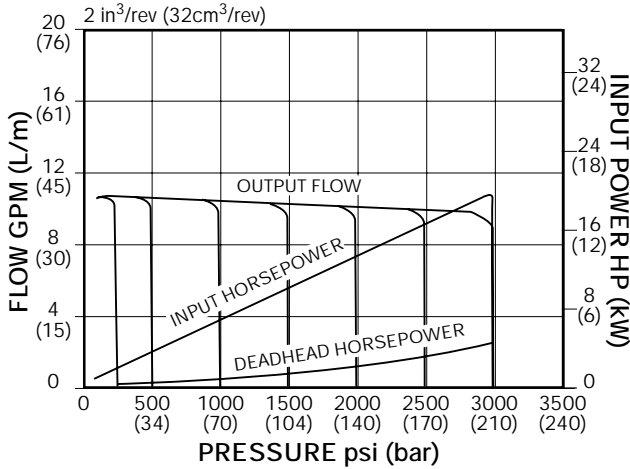


Sound pressure levels measured in a hemi-anoich chamber w/microphone placed 1 meter away at discrete locations. Sound pressure levels are spacially and time-weighted averaged.

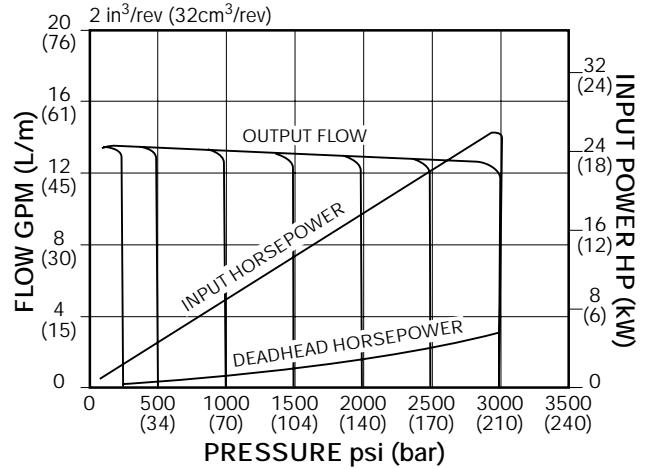
### Performance Characteristics – VPV 32 to 3000 PSI (210 Bar)

Data plotted: with oil at 120°F (49°C) Viscosity at 120° = 140 SUS (29.6 cSt)

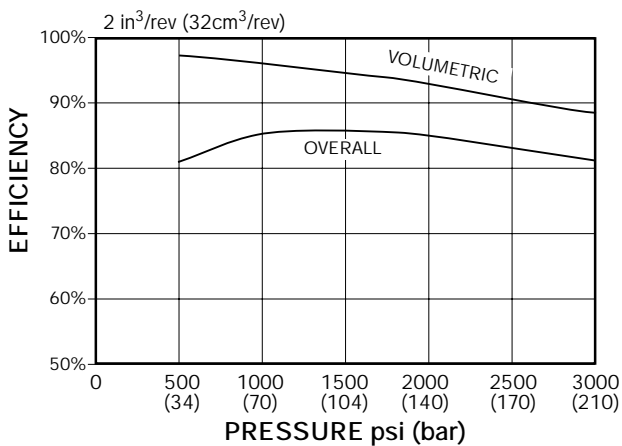
OUTPUT FLOW & POWER @ 1200 rpm



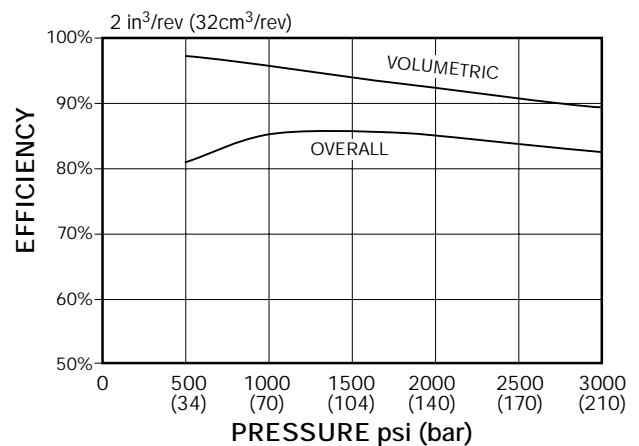
OUTPUT FLOW & POWER @ 1500 rpm



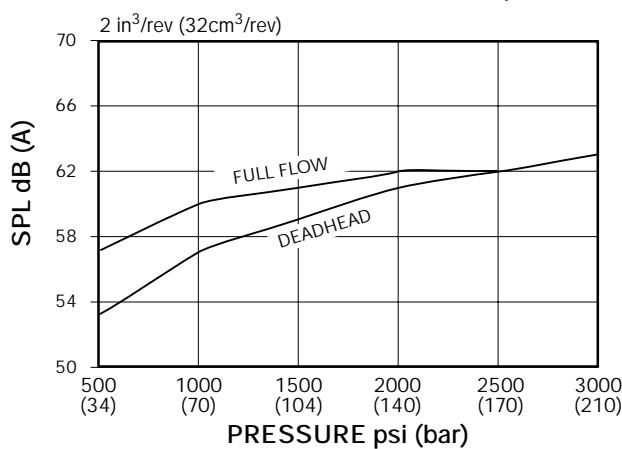
EFFICIENCY @ 1200 rpm



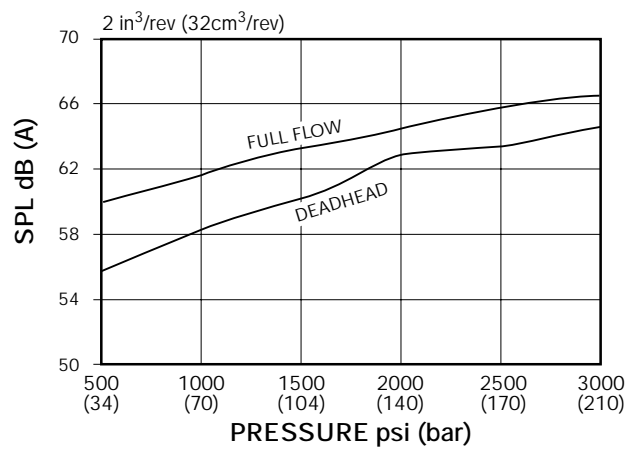
EFFICIENCY @ 1500 rpm



SOUND PRESSURE @ 1200 rpm



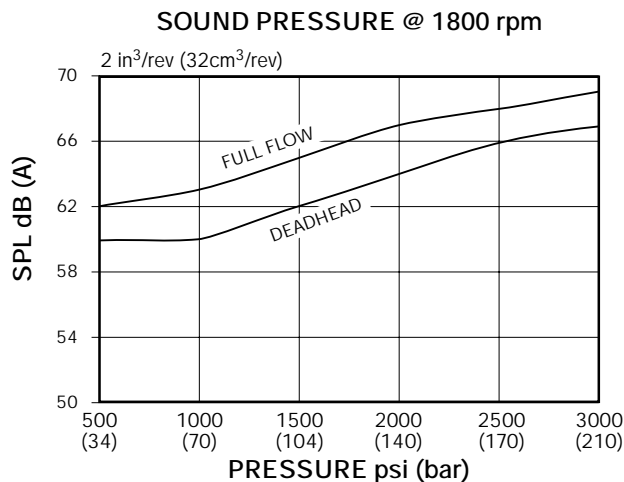
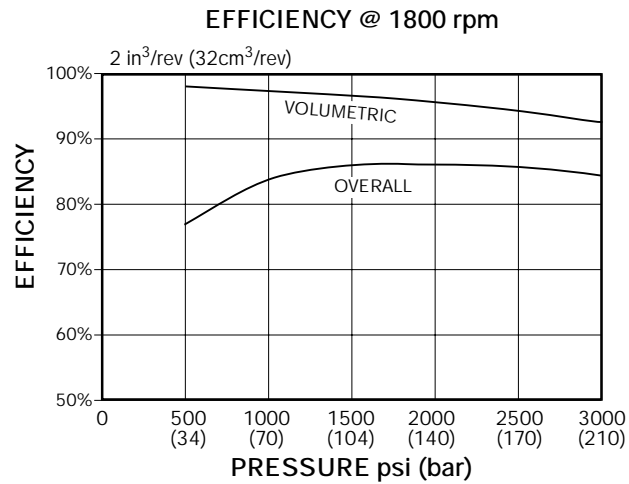
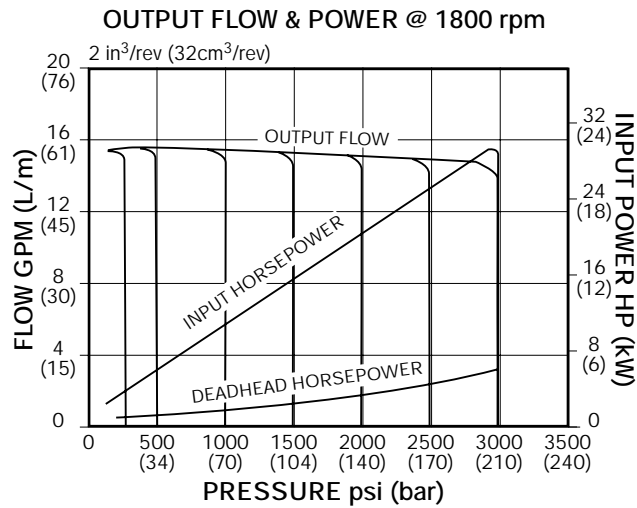
SOUND PRESSURE @ 1500 rpm



Sound pressure levels measured in a hemi-anechoic chamber w/microphone placed 1 meter away at discrete locations. Sound pressure levels are spatially and time-weighted averaged.

### Performance Characteristics – VPV 32 to 3000 PSI (210 Bar) (continued)

Data plotted: with oil at 120°F (49°C) Viscosity at 120° = 140 SUS (29.6 cSt)

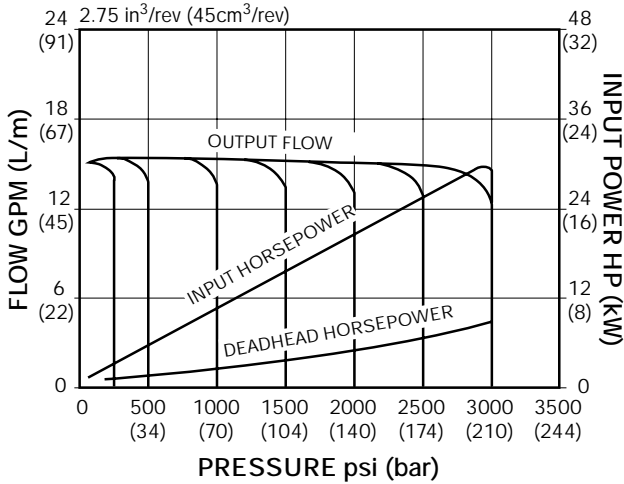


Sound pressure levels measured in a hemi-anoich chamber w/microphone placed 1 meter away at discrete locations. Sound pressure levels are spacially and time-weighted averaged.

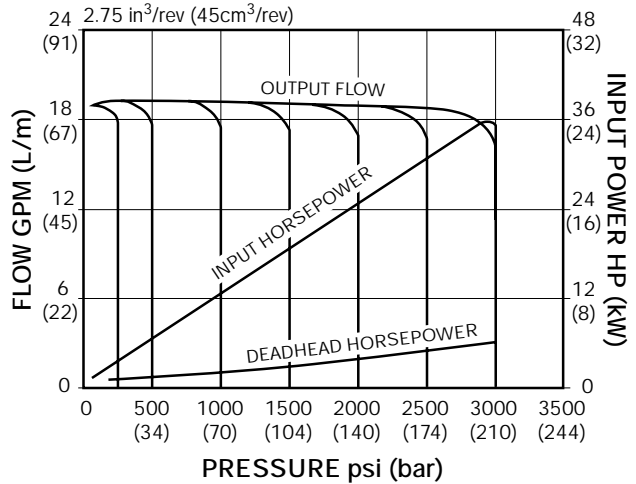
**Performance Characteristics – VPV 45 to 3000 PSI (210 Bar)**

Data plotted: with oil at 120°F (49°C) Viscosity at 120° = 140 SUS (29.6 cSt)

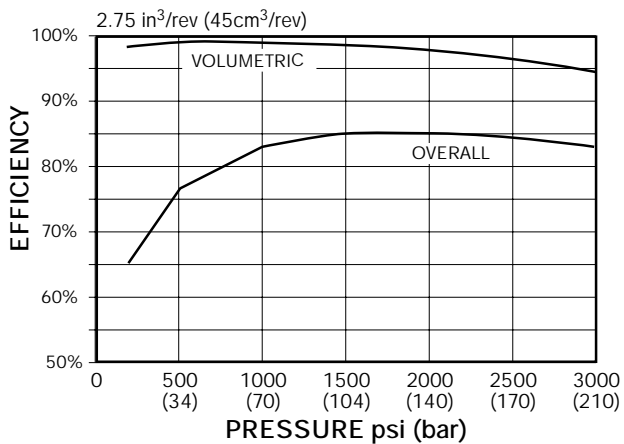
**OUTPUT FLOW & POWER @ 1200 rpm**



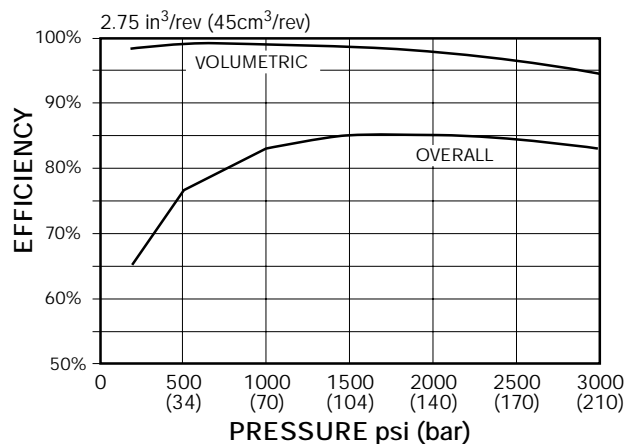
**OUTPUT FLOW & POWER @ 1500 rpm**



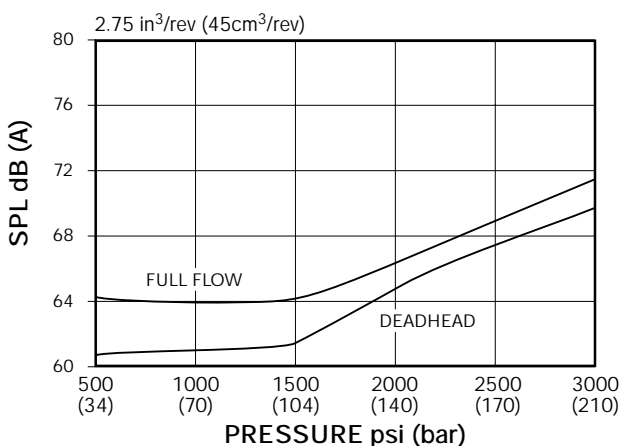
**EFFICIENCY @ 1200 rpm**



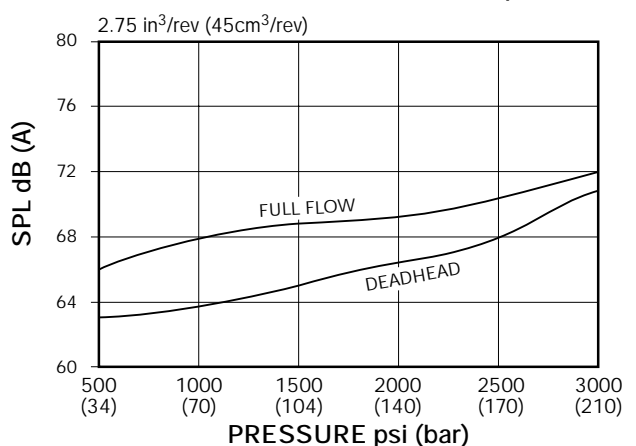
**EFFICIENCY @ 1500 rpm**



**SOUND PRESSURE @ 1200 rpm**



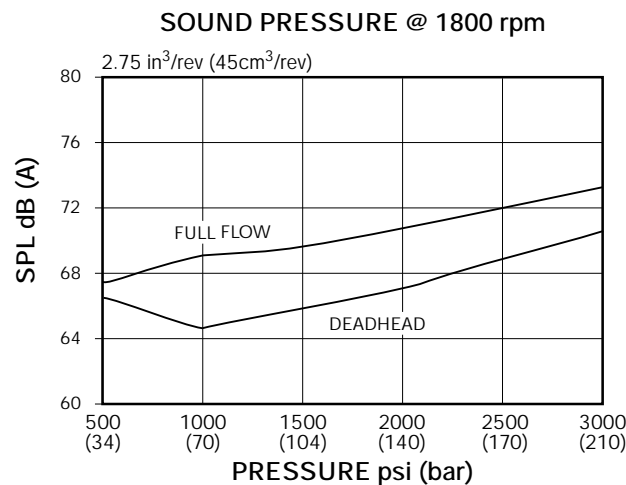
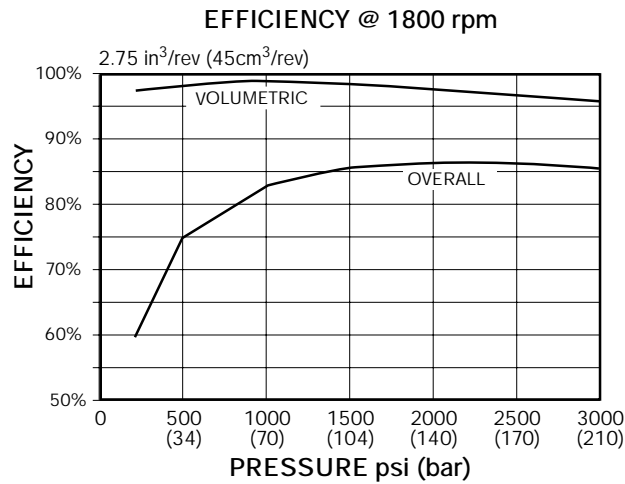
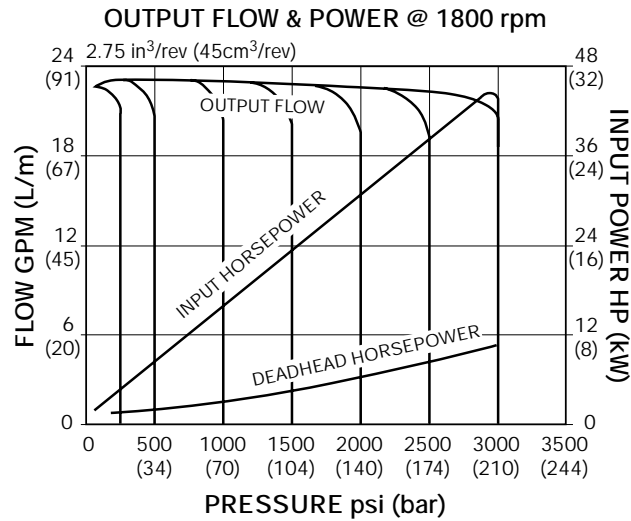
**SOUND PRESSURE @ 1500 rpm**



Sound pressure levels measured in a hemi-anechoic chamber w/microphone placed 1 meter away at discrete locations. Sound pressure levels are spatially and time-weighted averaged.

### Performance Characteristics – VPV 45 to 3000 PSI (210 Bar) (continued)

Data plotted: with oil at 120°F (49°C) Viscosity at 120° = 140 SUS (29.6 cSt)

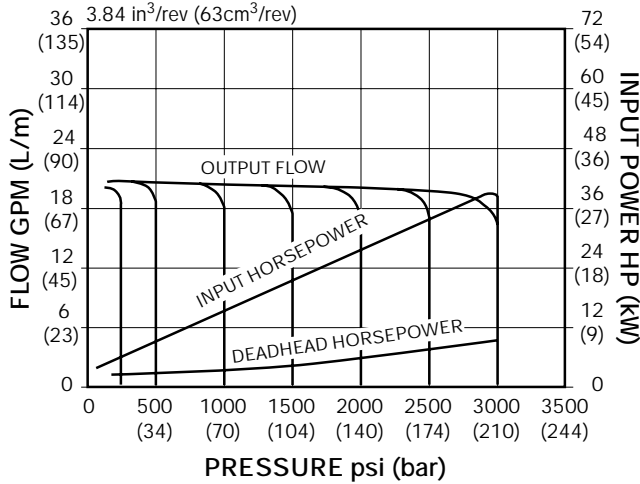


Sound pressure levels measured in a hemi-anechoic chamber w/microphone placed 1 meter away at discrete locations. Sound pressure levels are spacially and time-weighted averaged.

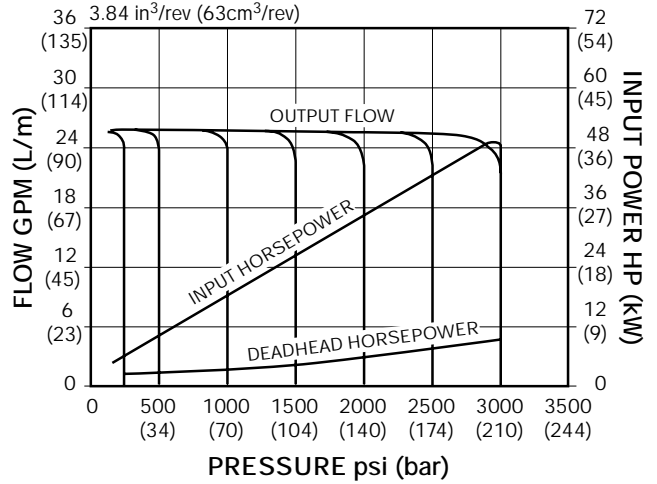
**Performance Characteristics – VPV 63 to 3000 PSI (210 Bar)**

Data plotted: with oil at 120°F (49°C) Viscosity at 120° = 140 SUS (29.6 cSt)

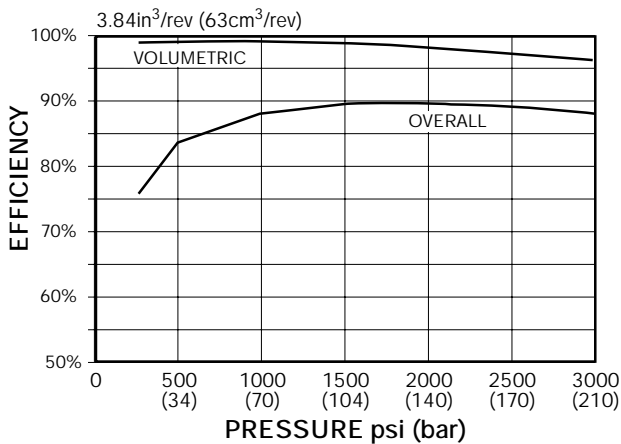
**OUTPUT FLOW & POWER @ 1200 rpm**



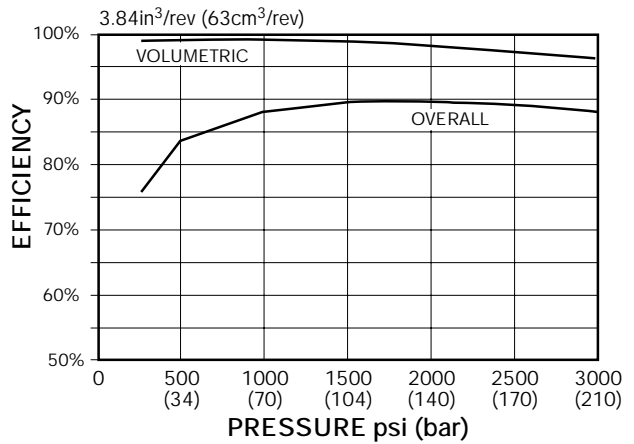
**OUTPUT FLOW & POWER @ 1500 rpm**



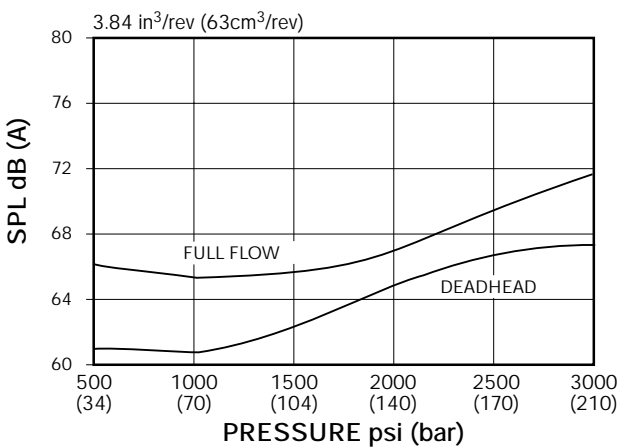
**EFFICIENCY @ 1200 rpm**



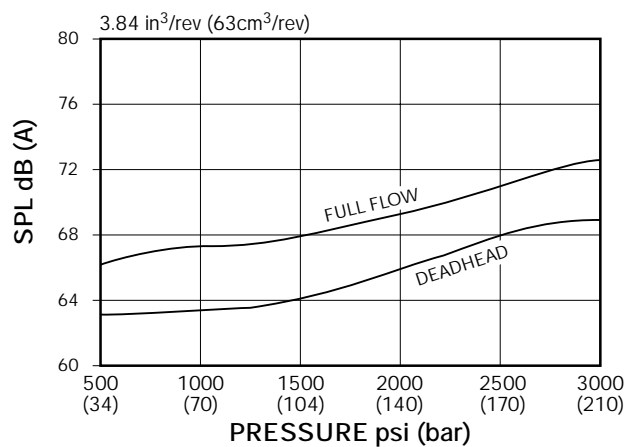
**EFFICIENCY @ 1500 rpm**



**SOUND PRESSURE @ 1200 rpm**



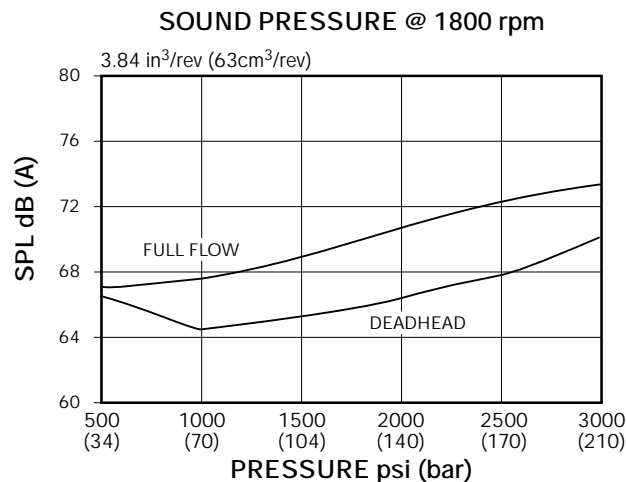
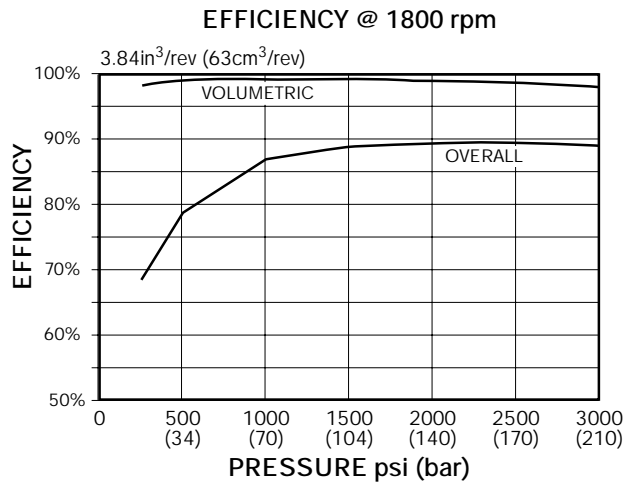
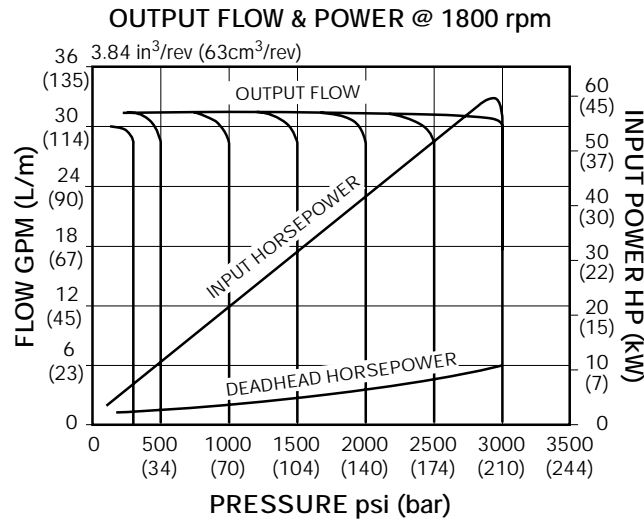
**SOUND PRESSURE @ 1500 rpm**



Sound pressure levels measured in a hemi-anechoic chamber w/microphone placed 1 meter away at discrete locations. Sound pressure levels are spatially and time-weighted averaged.

Performance Characteristics – VPV 63 to 3000 PSI (210 Bar) (continued)

Data plotted: with oil at 120°F (49°C) Viscosity at 120° = 140 SUS (29.6 cSt)

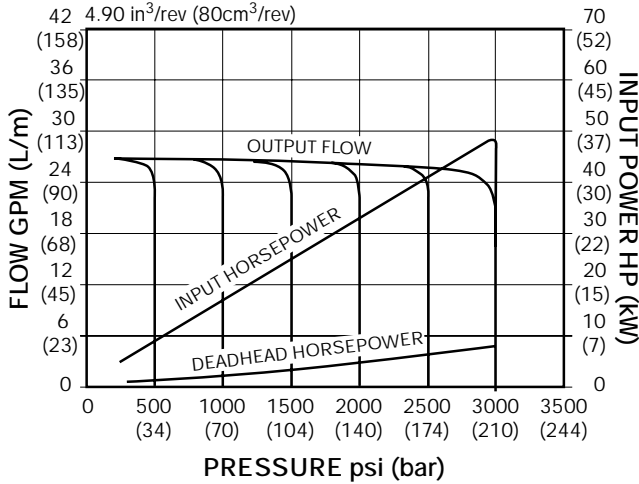


Sound pressure levels measured in a hemi-anoich chamber w/microphone placed 1 meter away at discrete locations. Sound pressure levels are spacially and time-weighted averaged.

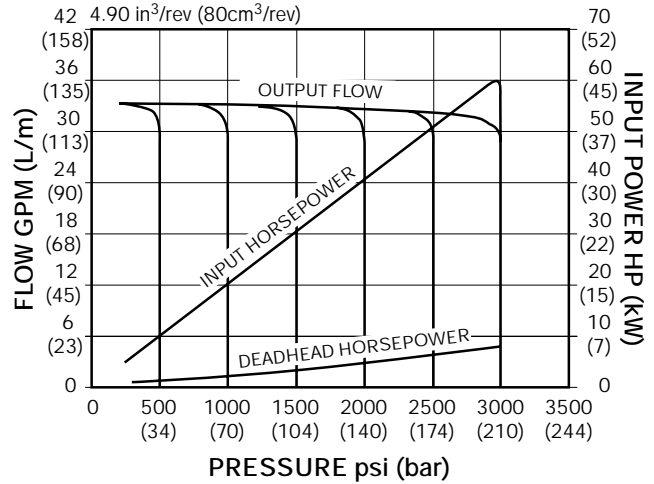
**Performance Characteristics – VPV 80 to 3000 PSI (210 Bar)**

Data plotted: with oil at 120°F (49°C) Viscosity at 120° = 140 SUS (29.6 cSt)

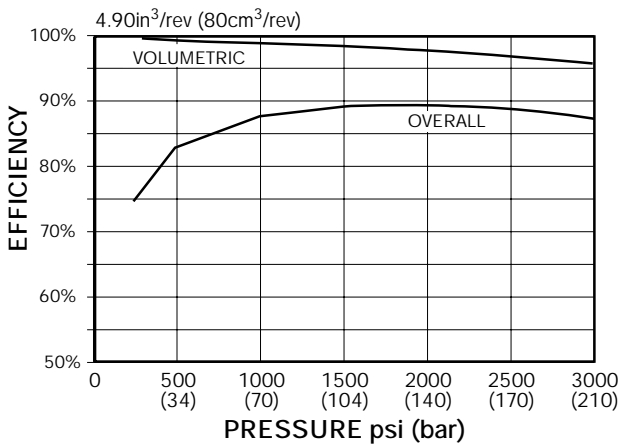
**OUTPUT FLOW & POWER @ 1200 rpm**



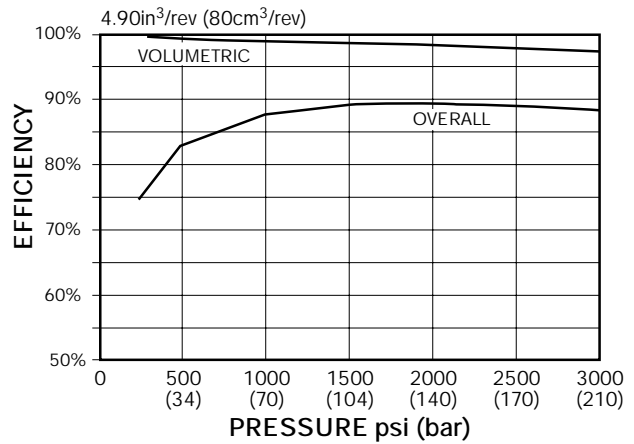
**OUTPUT FLOW & POWER @ 1500 rpm**



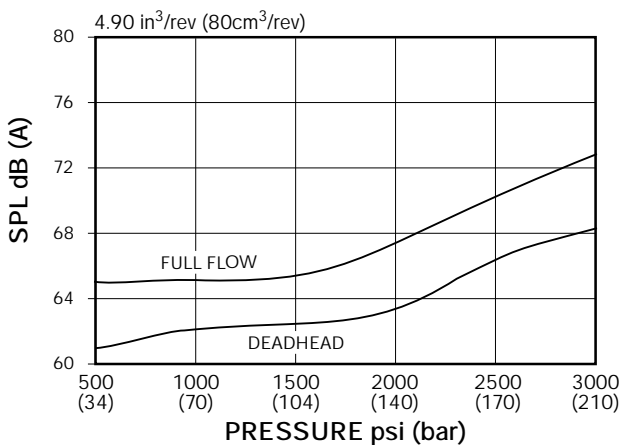
**EFFICIENCY @ 1200 rpm**



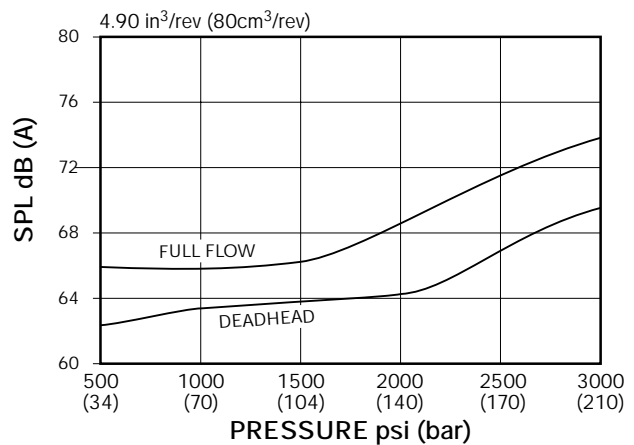
**EFFICIENCY @ 1500 rpm**



**SOUND PRESSURE @ 1200 rpm**



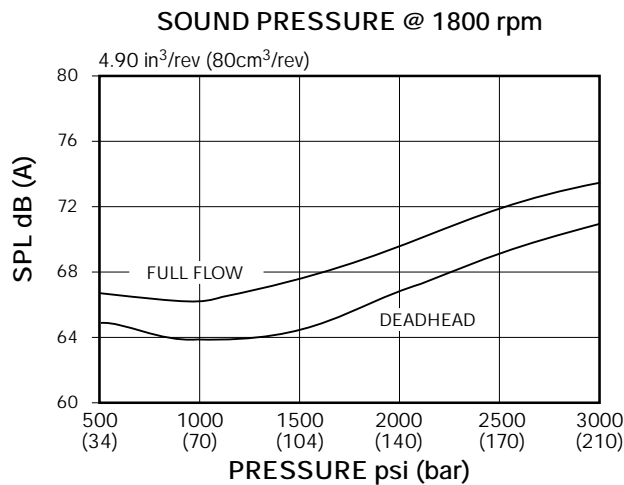
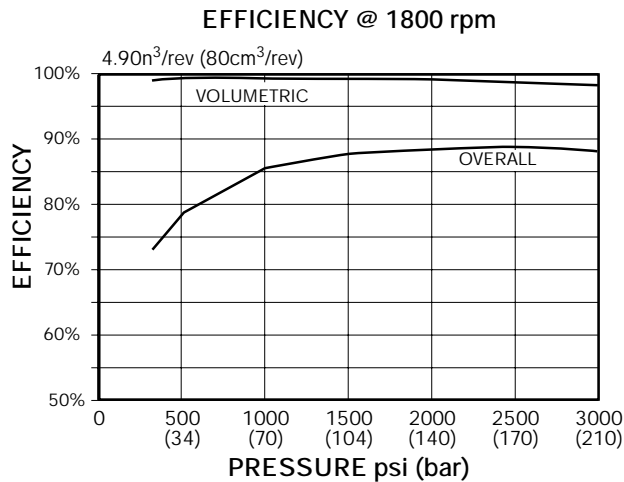
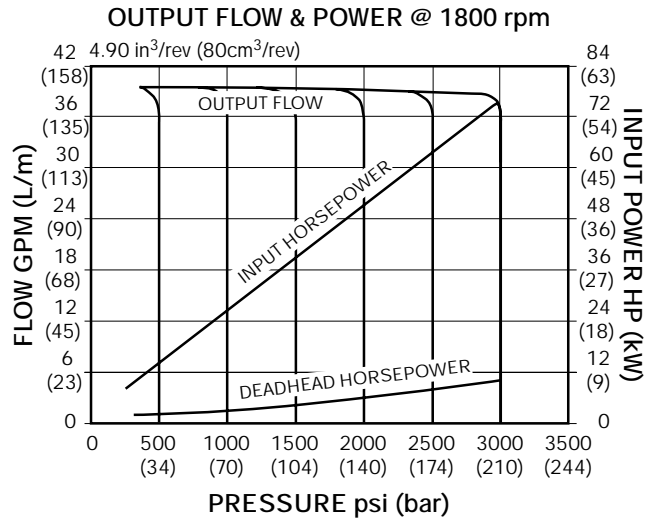
**SOUND PRESSURE @ 1500 rpm**



Sound pressure levels measured in a hemi-anechoic chamber w/microphone placed 1 meter away at discrete locations. Sound pressure levels are spatially and time-weighted averaged.

**Performance Characteristics – VPV 80 to 3000 PSI (210 Bar) (continued)**

Data plotted: with oil at 120°F (49°C) Viscosity at 120° = 140 SUS (29.6 cSt)

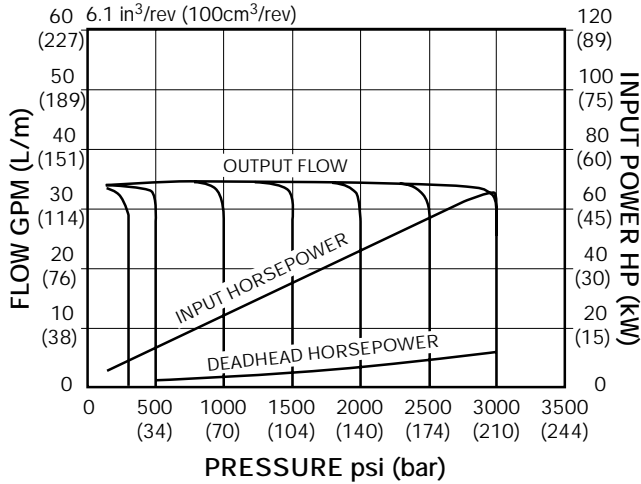


Sound pressure levels measured in a hemi-anechoic chamber w/microphone placed 1 meter away at discrete locations. Sound pressure levels are spacially and time-weighted averaged.

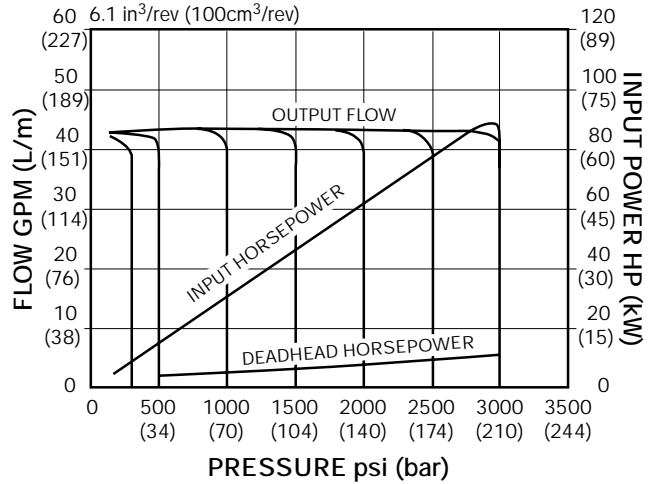
### Performance Characteristics – VPV 100 to 3000 PSI (210 Bar)

Data plotted: with oil at 120°F (49°C) Viscosity at 120° = 140 SUS (29.6 cSt)

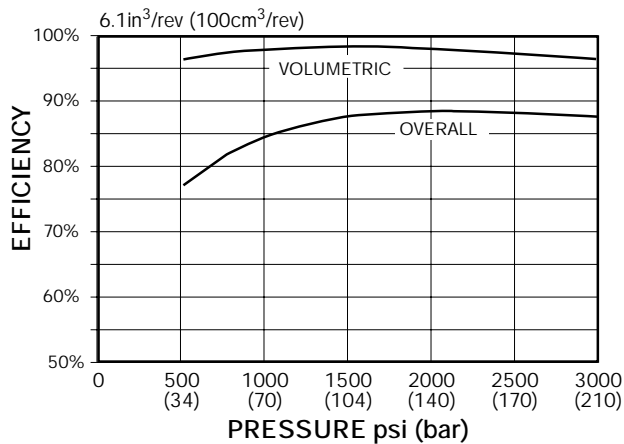
OUTPUT FLOW & POWER @ 1200 rpm



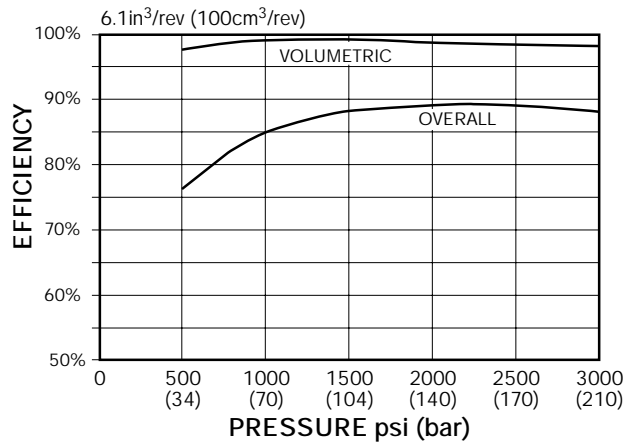
OUTPUT FLOW & POWER @ 1500 rpm



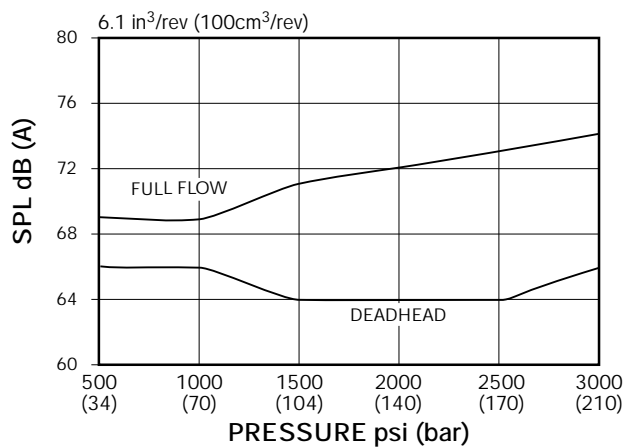
EFFICIENCY @ 1200 rpm



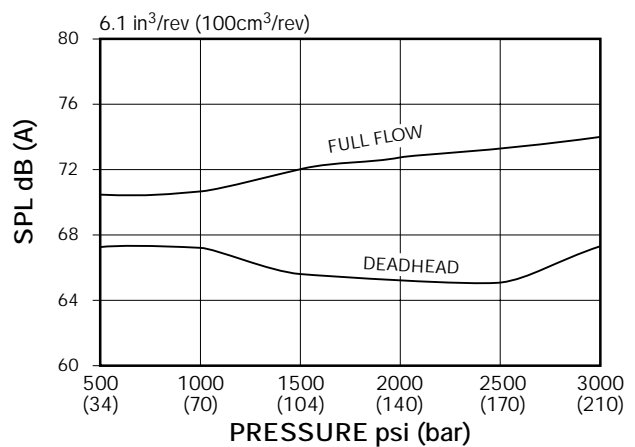
EFFICIENCY @ 1500 rpm



SOUND PRESSURE @ 1200 rpm



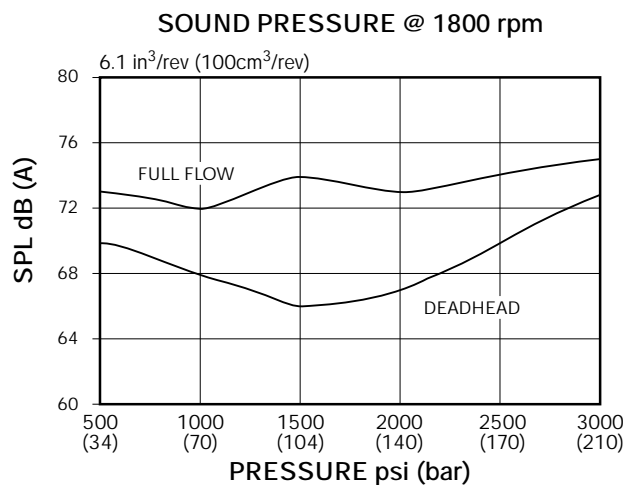
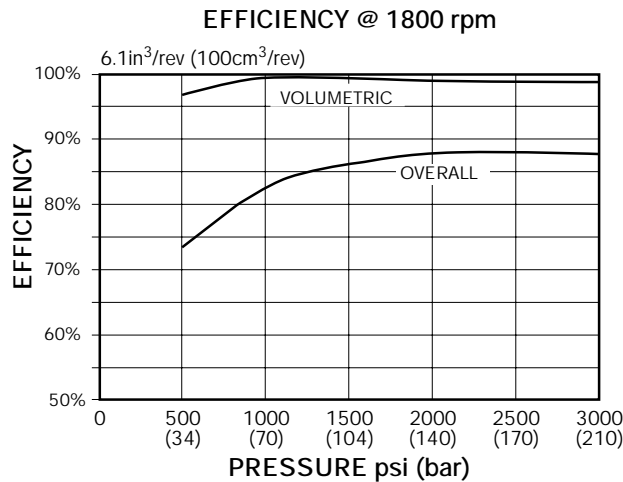
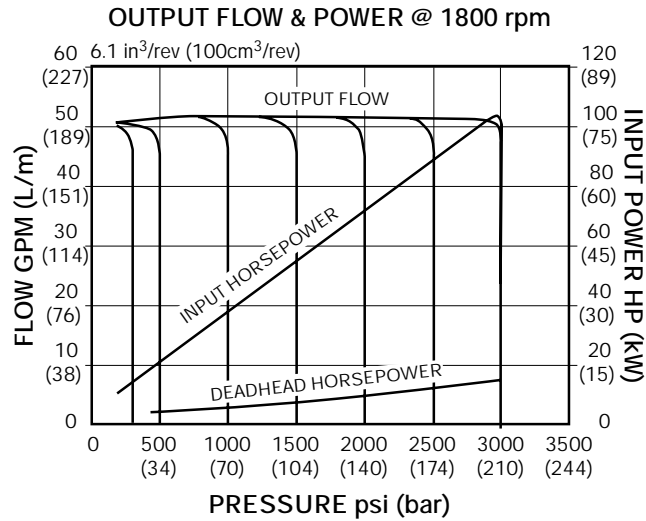
SOUND PRESSURE @ 1500 rpm



Sound pressure levels measured in a hemi-anechoic chamber w/microphone placed 1 meter away at discrete locations. Sound pressure levels are spatially and time-weighted averaged.

**Performance Characteristics – VPV 100 to 3000 PSI (210 Bar) (continued)**

Data plotted: with oil at 120°F (49°C) Viscosity at 120° = 140 SUS (29.6 cSt)

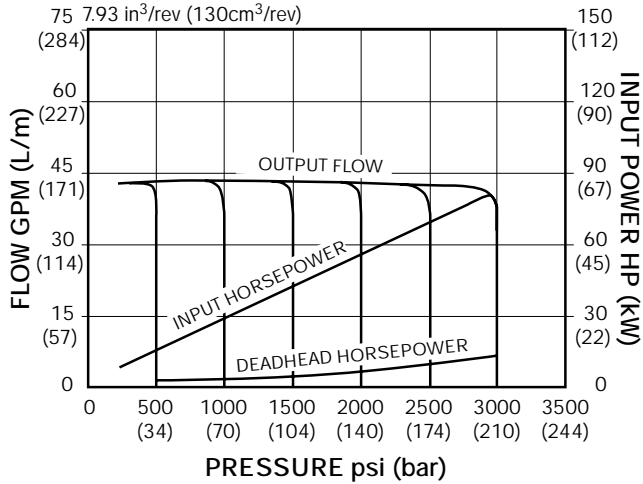


Sound pressure levels measured in a hemi-anechoic chamber w/microphone placed 1 meter away at discrete locations. Sound pressure levels are spacially and time-weighted averaged.

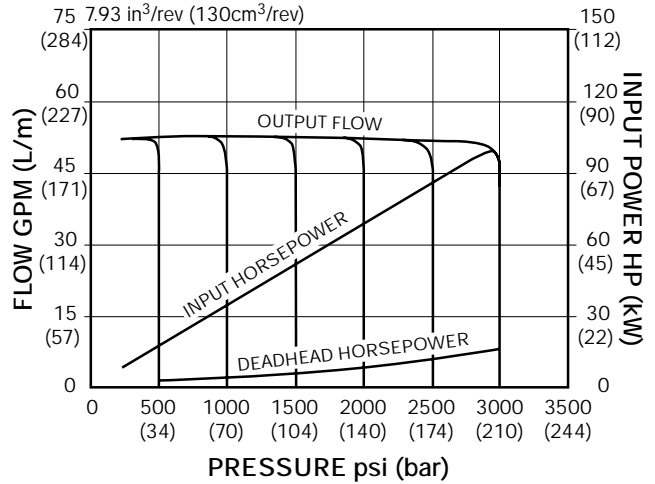
### Performance Characteristics – VPV 130 to 3000 PSI (210 Bar)

Data plotted: with oil at 120°F (49°C) Viscosity at 120° = 140 SUS (29.6 cSt)

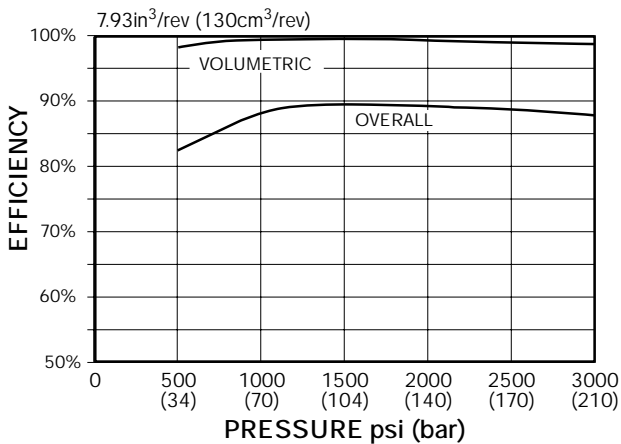
OUTPUT FLOW & POWER @ 1200 rpm



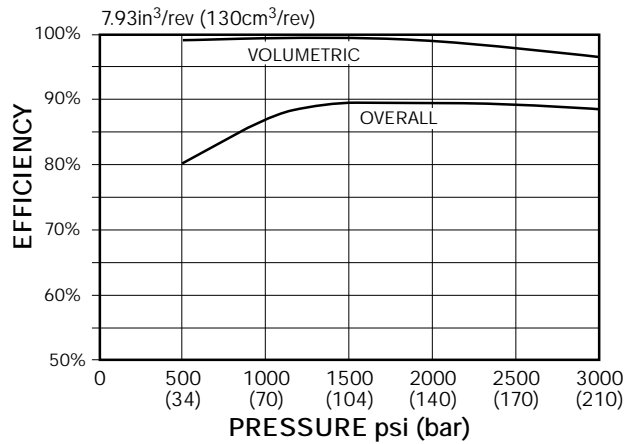
OUTPUT FLOW & POWER @ 1500 rpm



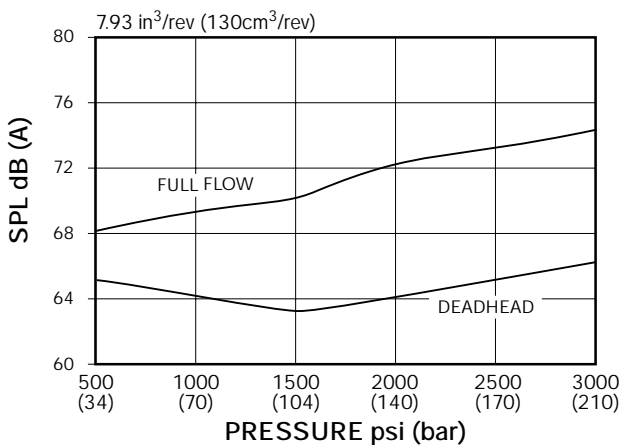
EFFICIENCY @ 1200 rpm



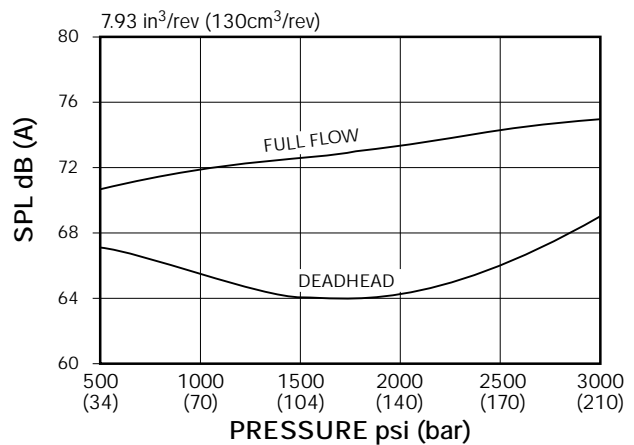
EFFICIENCY @ 1500 rpm



SOUND PRESSURE @ 1200 rpm



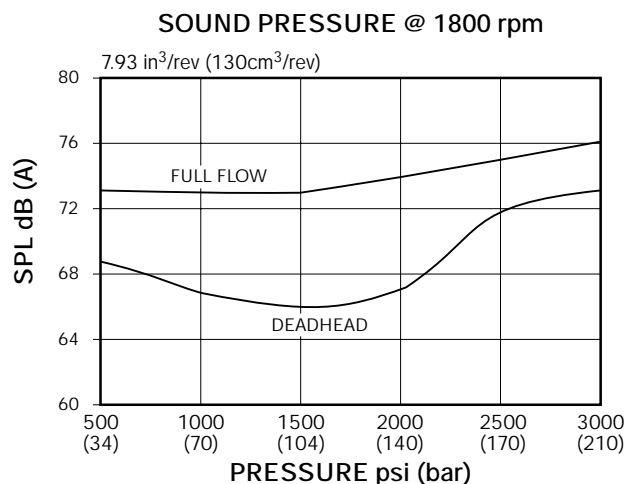
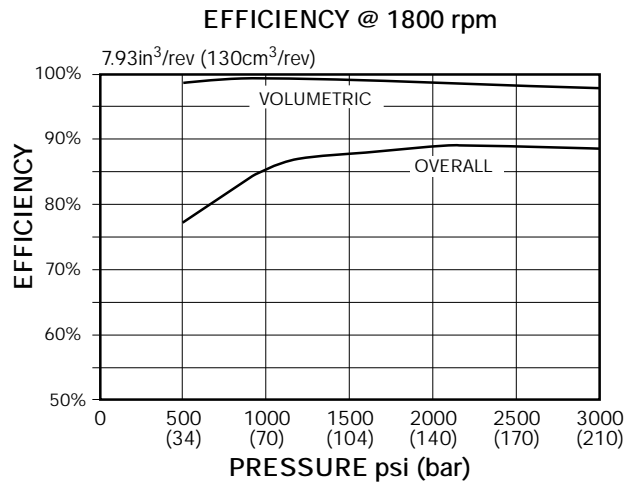
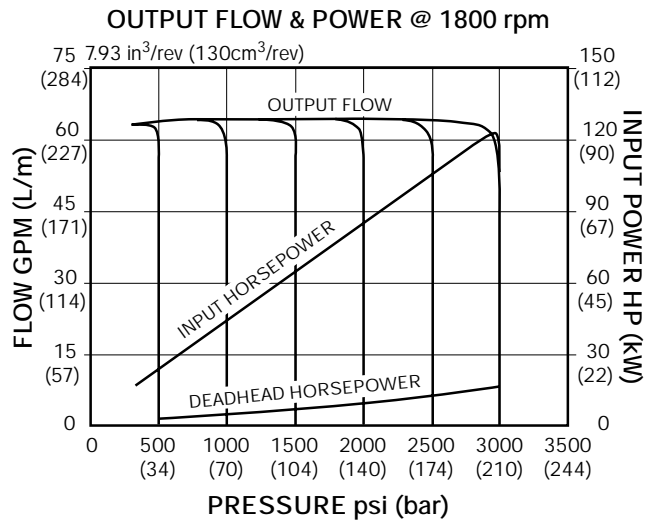
SOUND PRESSURE @ 1500 rpm



Sound pressure levels measured in a hemi-anechoic chamber w/microphone placed 1 meter away at discrete locations. Sound pressure levels are spatially and time-weighted averaged.

### Performance Characteristics – VPV 130 to 3000 PSI (210 Bar) (continued)

Data plotted: with oil at 120°F (49°C) Viscosity at 120° = 140 SUS (29.6 cSt)

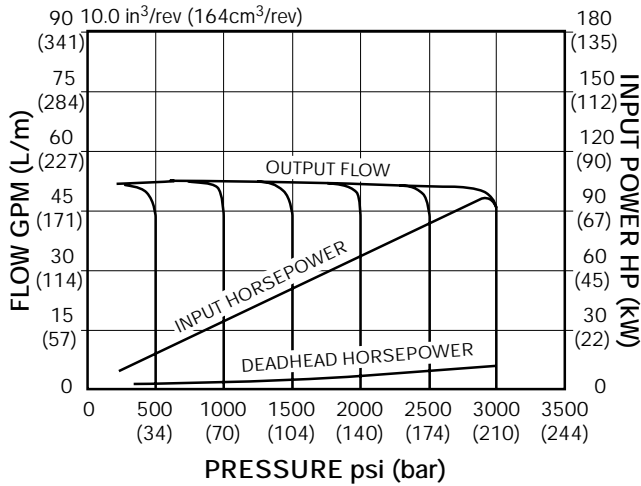


Sound pressure levels measured in a hemi-anechoic chamber w/microphone placed 1 meter away at discrete locations. Sound pressure levels are spatially and time-weighted averaged.

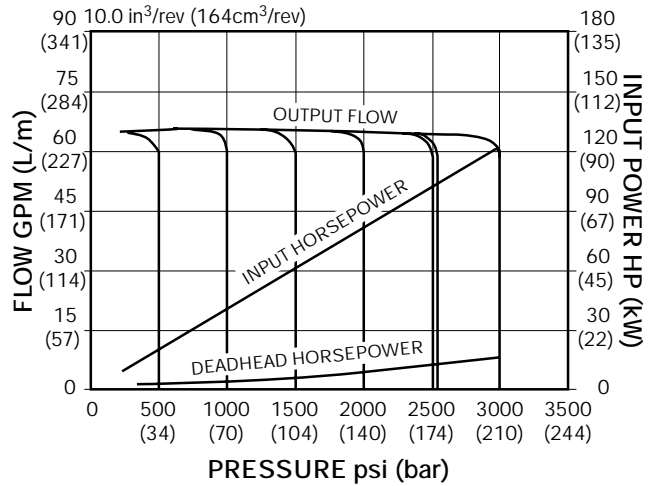
**Performance Characteristics – VPV 164 to 3000 PSI (210 Bar)**

Data plotted: with oil at 120°F (49°C) Viscosity at 120° = 140 SUS (29.6 cSt)

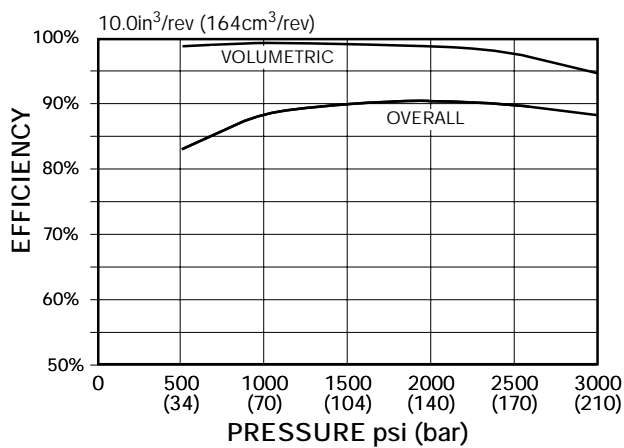
**OUTPUT FLOW & POWER @ 1200 rpm**



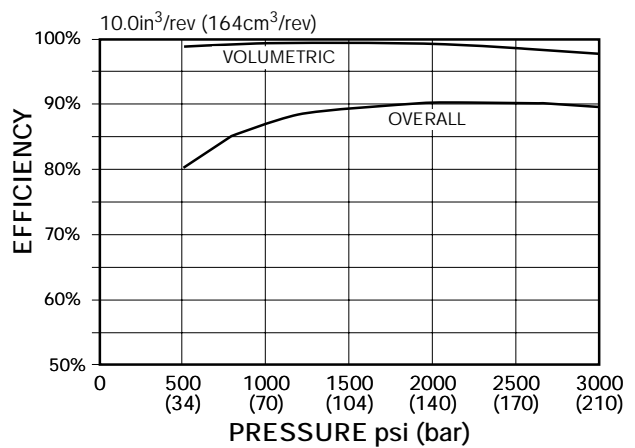
**OUTPUT FLOW & POWER @ 1500 rpm**



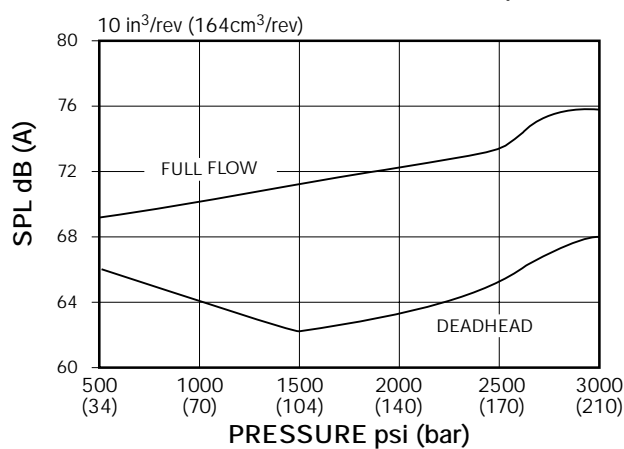
**EFFICIENCY @ 1200 rpm**



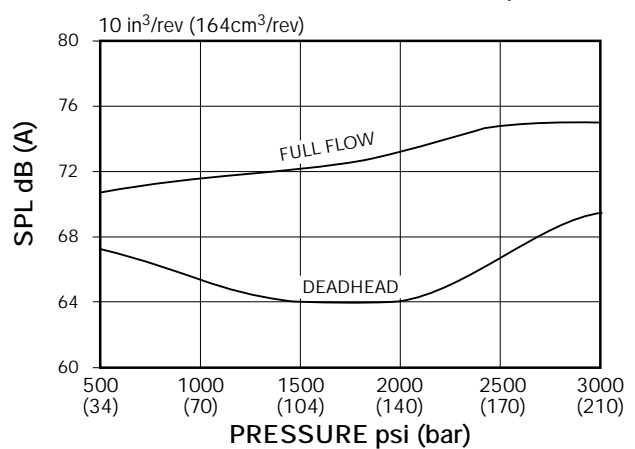
**EFFICIENCY @ 1500 rpm**



**SOUND PRESSURE @ 1200 rpm**



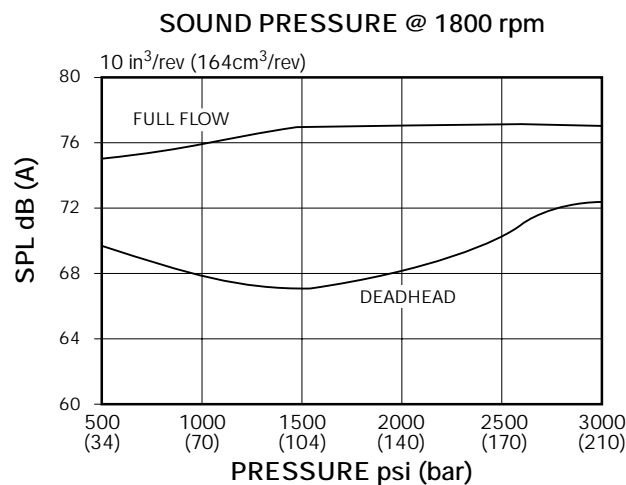
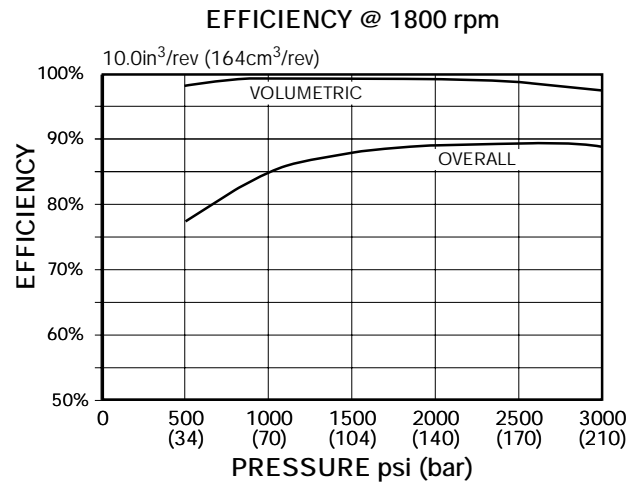
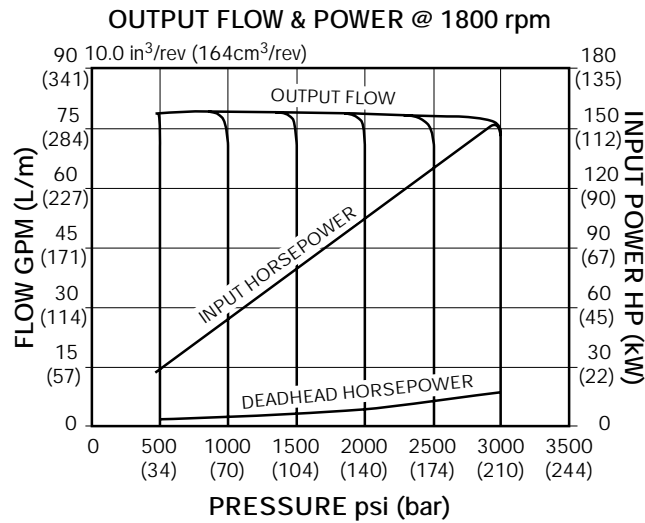
**SOUND PRESSURE @ 1500 rpm**



Sound pressure levels measured in a hemi-anechoic chamber w/microphone placed 1 meter away at discrete locations. Sound pressure levels are spatially and time-weighted averaged.

**Performance Characteristics – VPV 164 to 3000 PSI (210 Bar) (continued)**

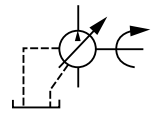
Data plotted: with oil at 120°F (49°C) Viscosity at 120° = 140 SUS (29.6 cSt)



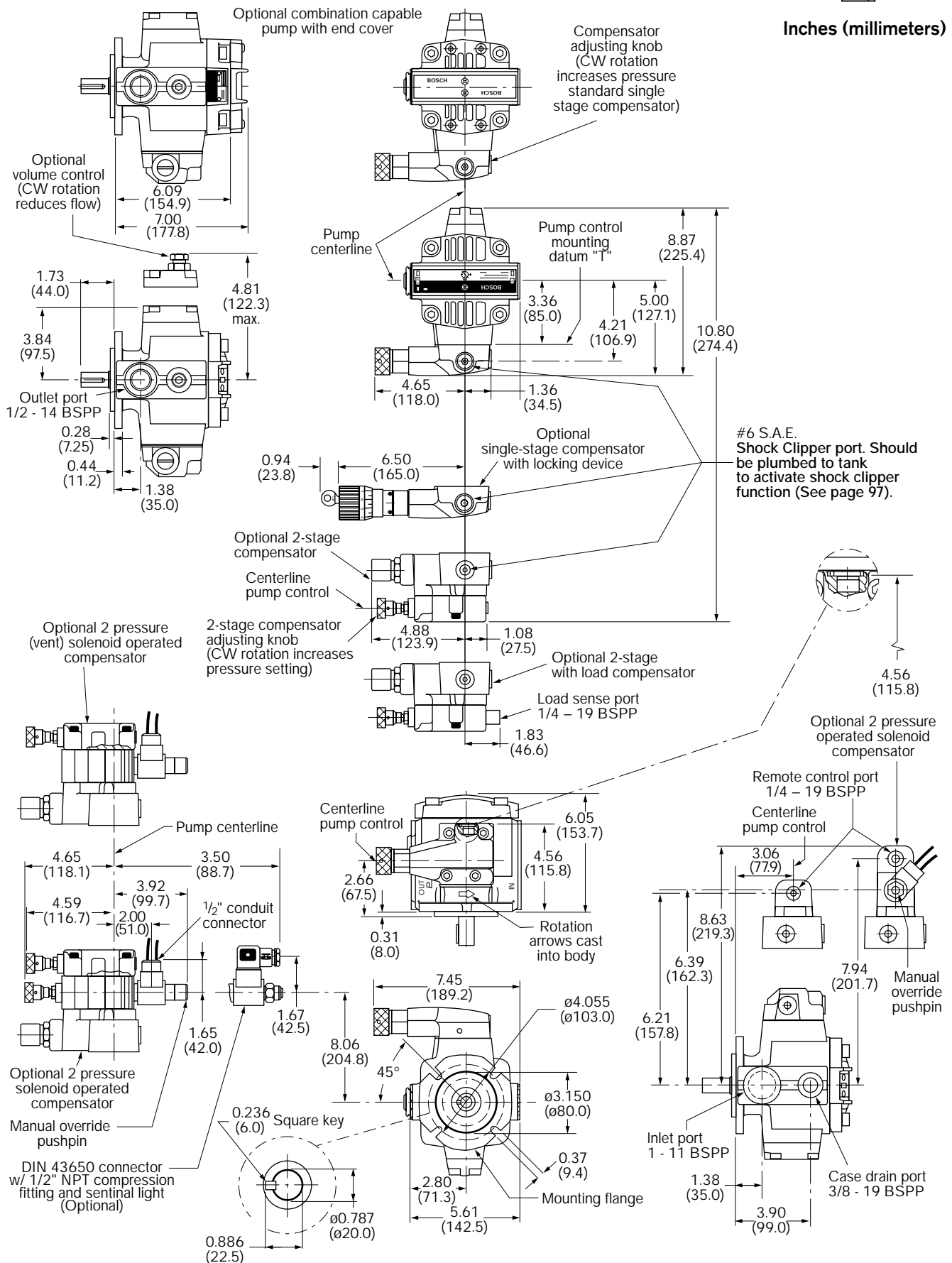
Sound pressure levels measured in a hemi-anoich chamber w/microphone placed 1 meter away at discrete locations. Sound pressure levels are spacially and time-weighted averaged.



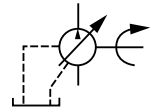
VPV 16 Single pump, Metric flange, RH rotation



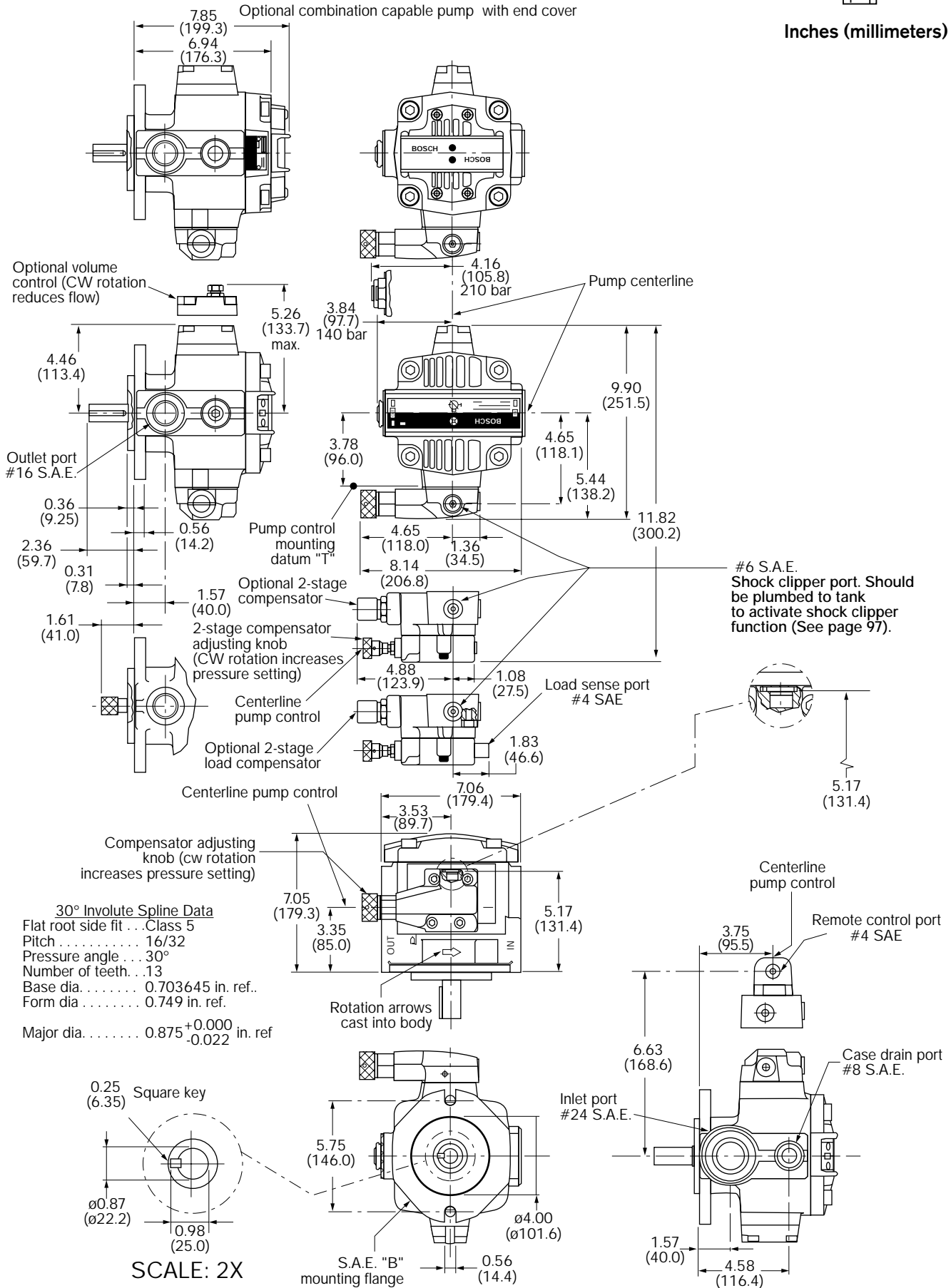
Inches (millimeters)



**VPV 25/32, Single pump, S.A.E. 'B' flange, RH rotation**

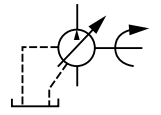


Inches (millimeters)

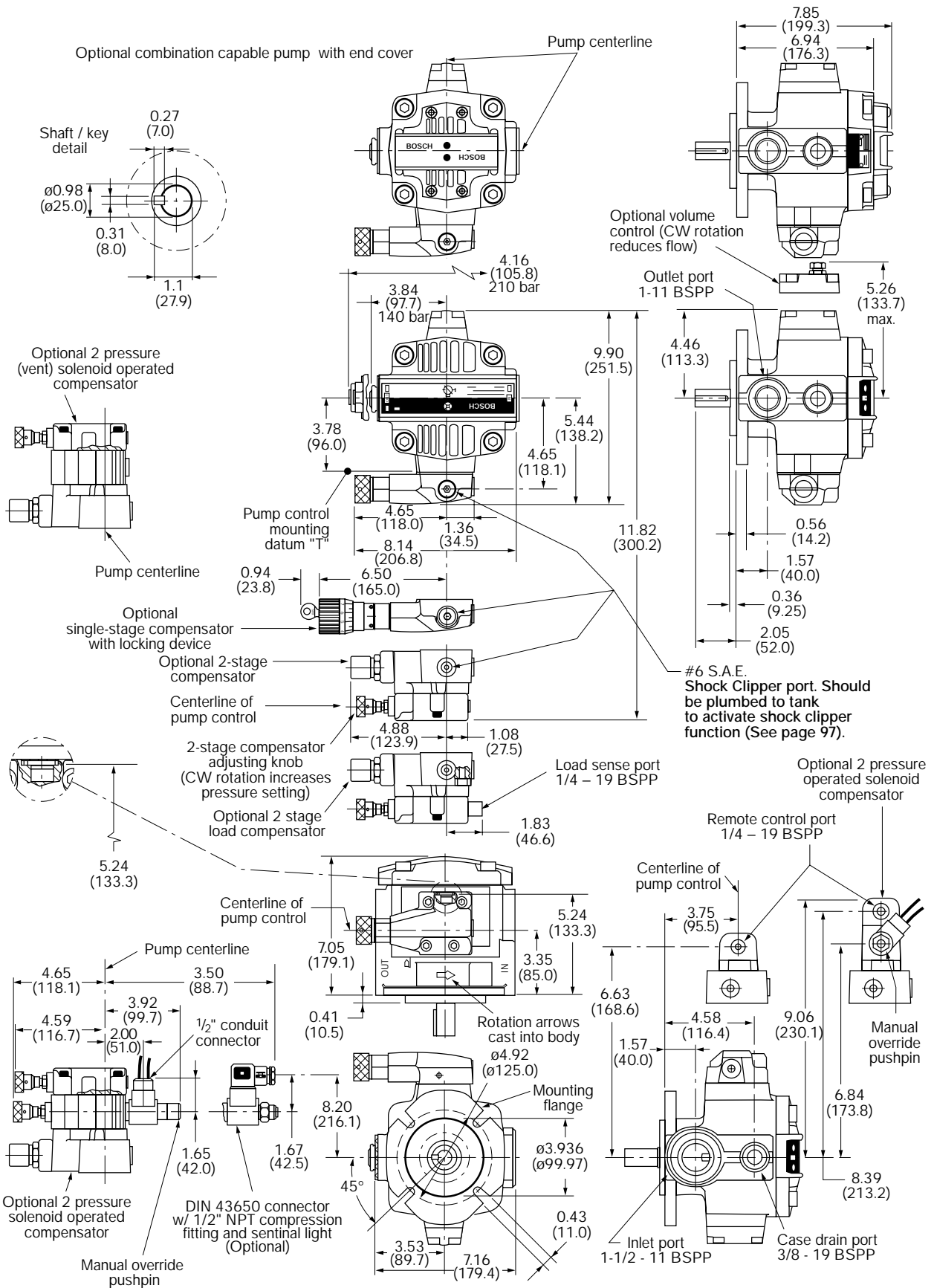


SCALE: 2X

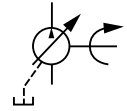
VPV 25/32, Single pump, Metric flange, RH rotation



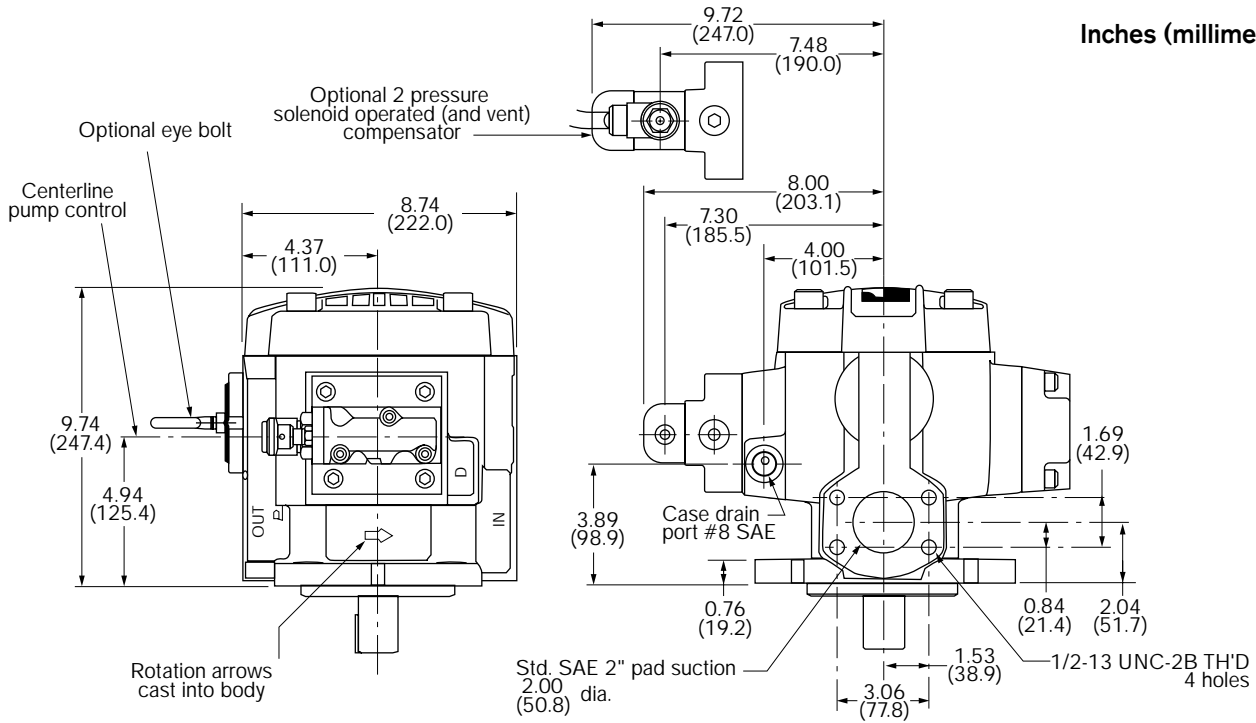
Inches (millimeters)



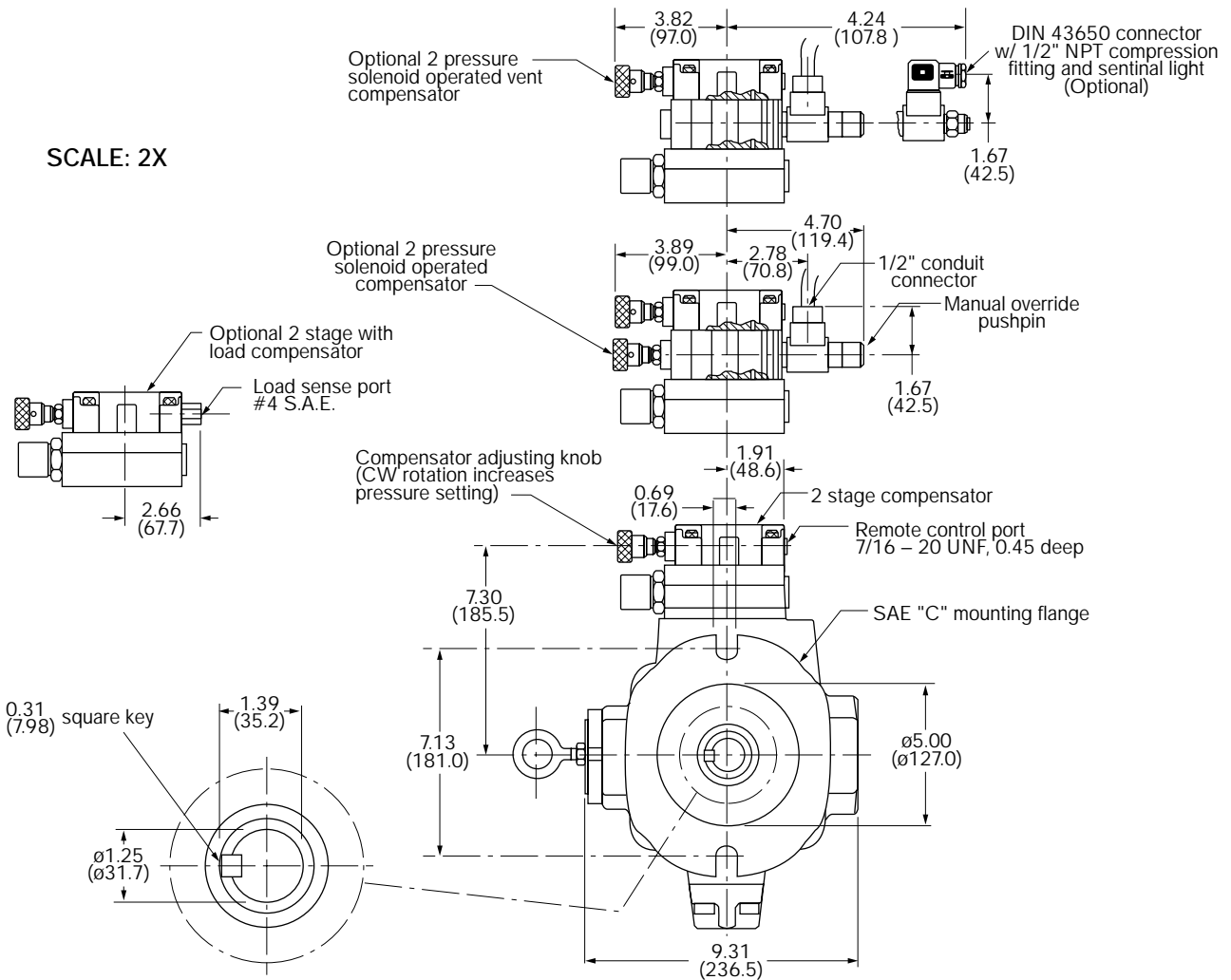
### VPV 45/63/80, Single pump, S.A.E. 'C' flange, RH rotation



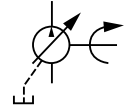
Inches (millimeters)



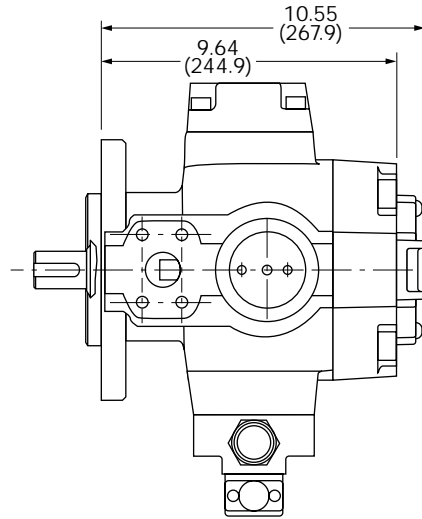
SCALE: 2X



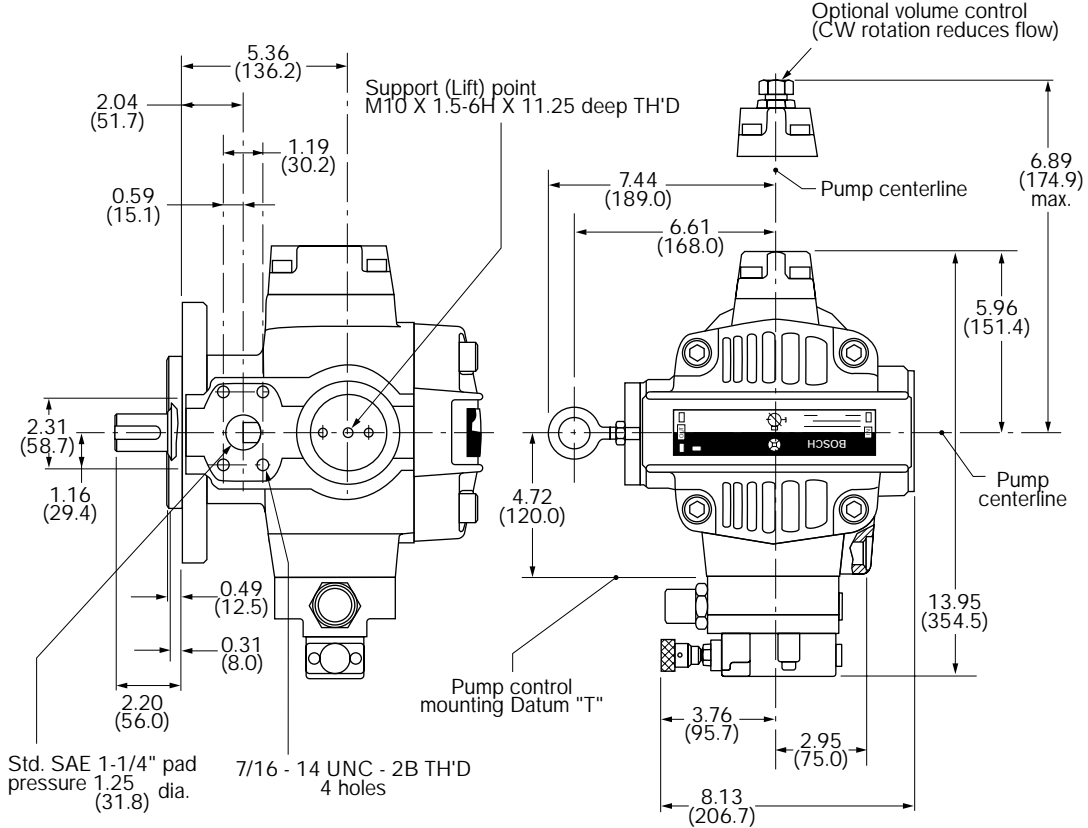
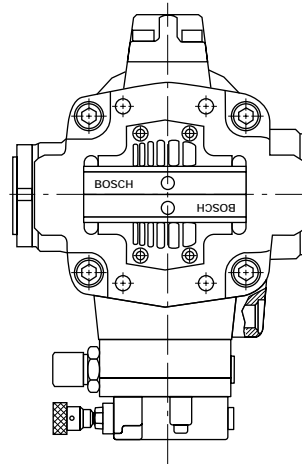
VPV 45/63/80, Single pump, S.A.E. 'C' flange, RH rotation, (continued)



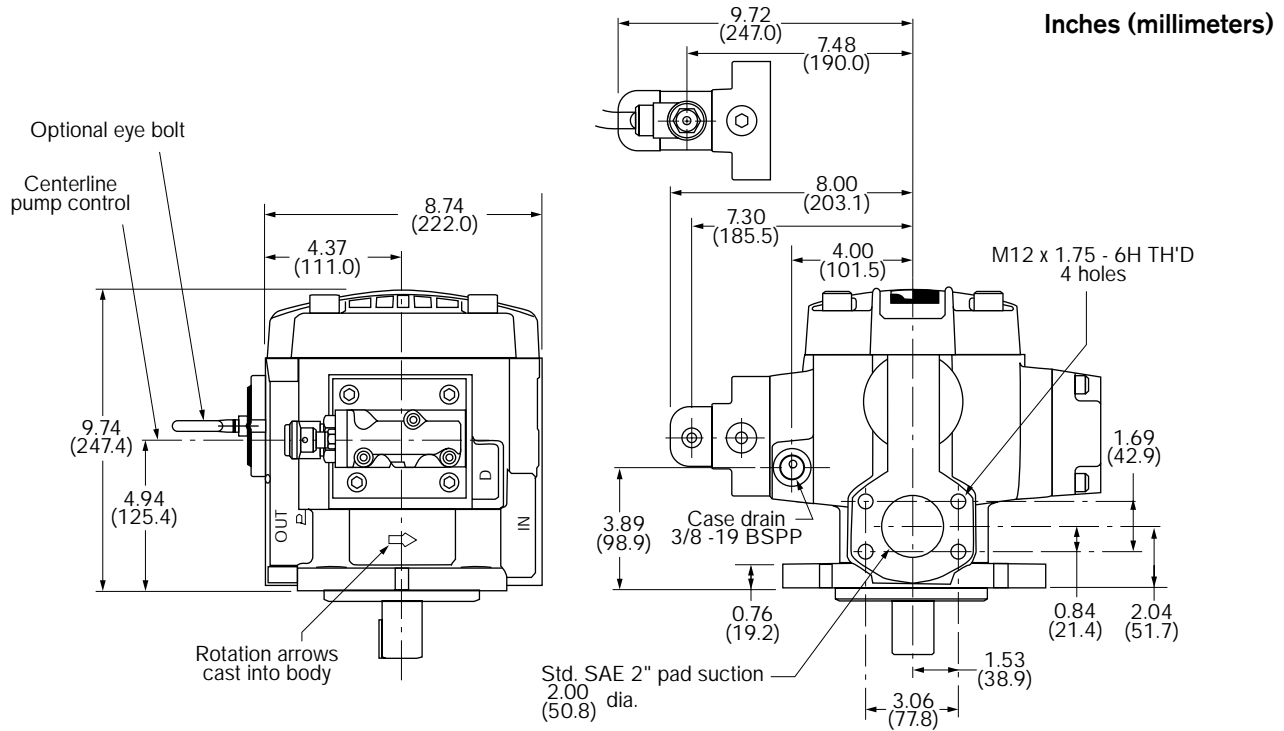
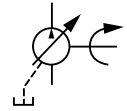
Inches (millimeters)



Optional combination capable pump with end cover (P1 Version)

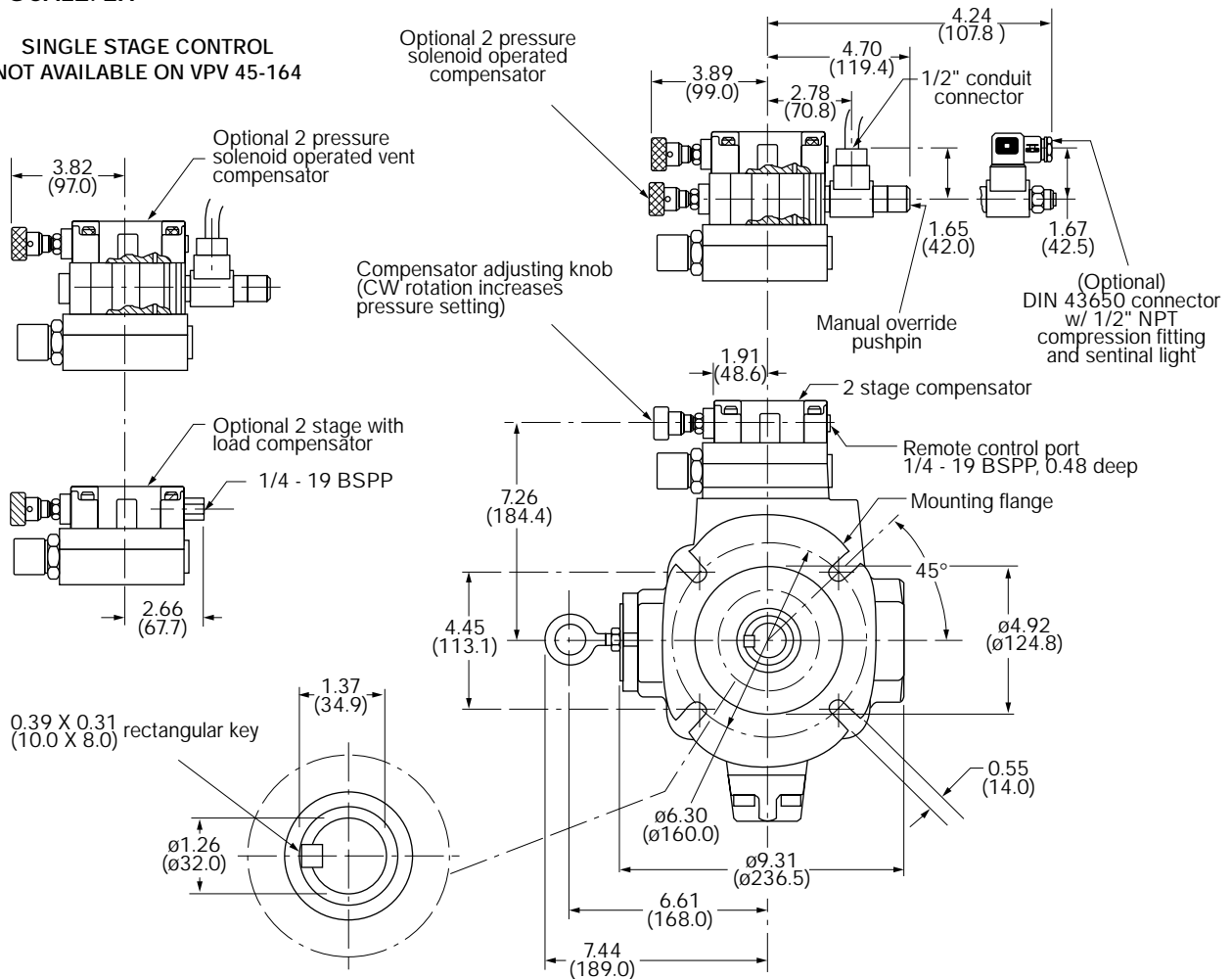


**VPV 45/63/80, Single pump, Metric flange, RH Rotation**

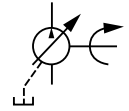


SCALE: 2X

**SINGLE STAGE CONTROL**  
NOT AVAILABLE ON VPV 45-164

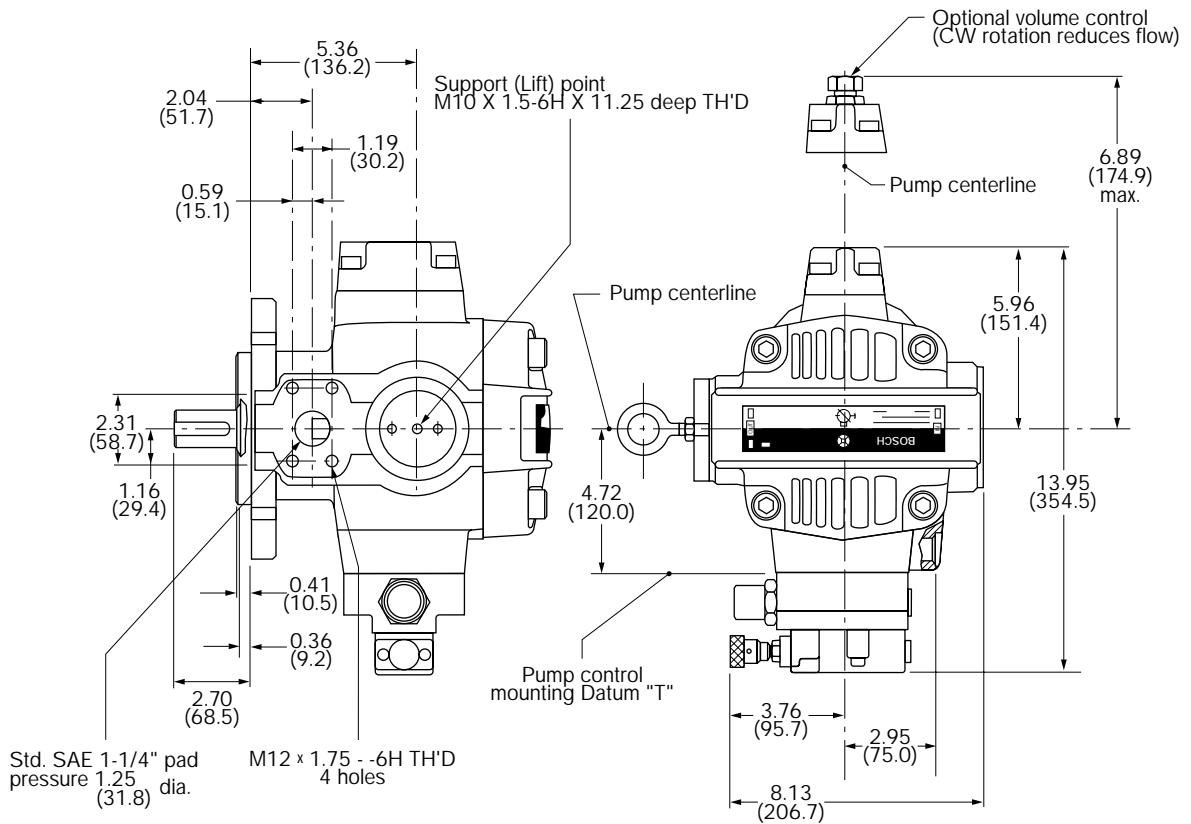
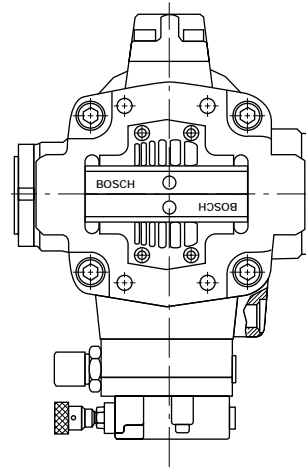
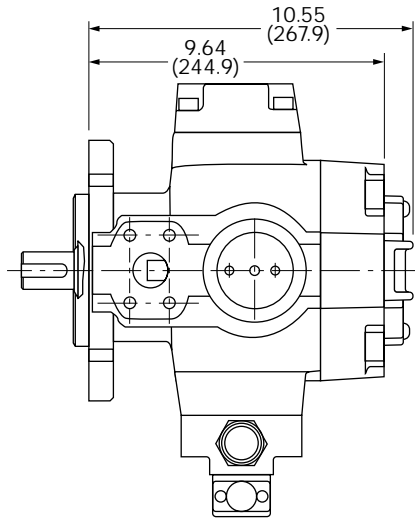


VPV 45/63/80, Single pump, Metric flange, RH Rotation, (continued)

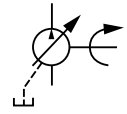


Inches (millimeters)

Optional combination capable pump with end cover (P1 Version)

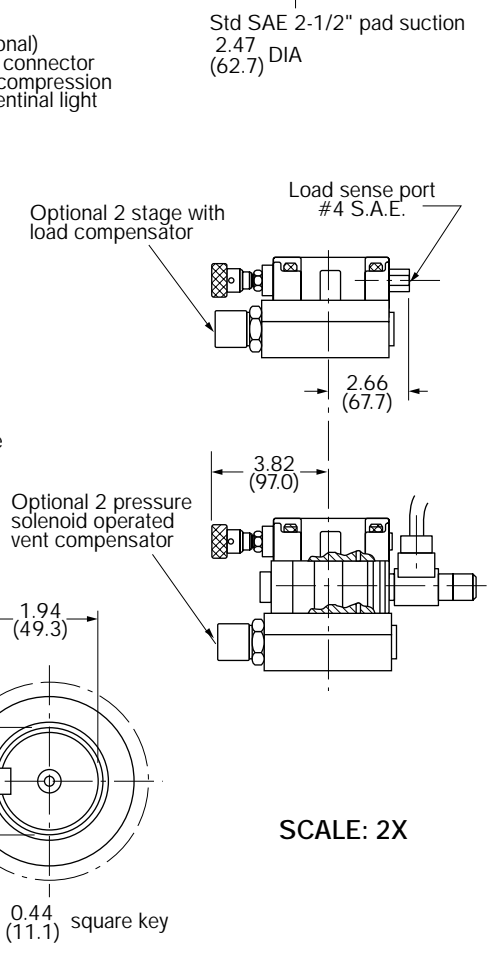
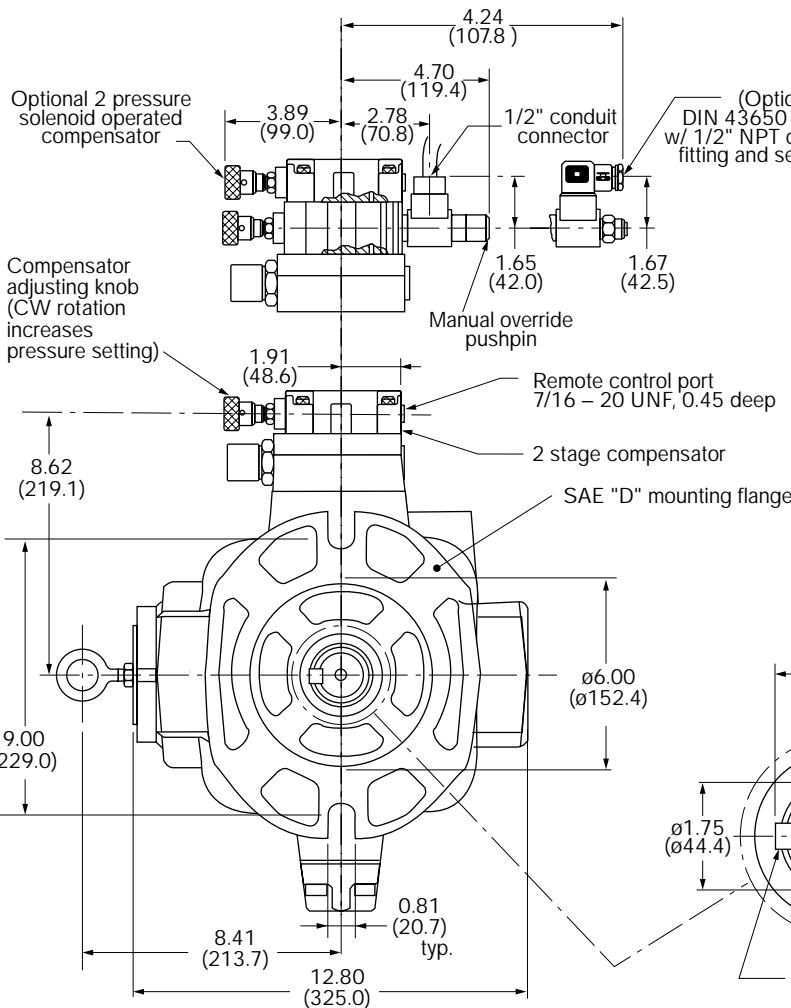
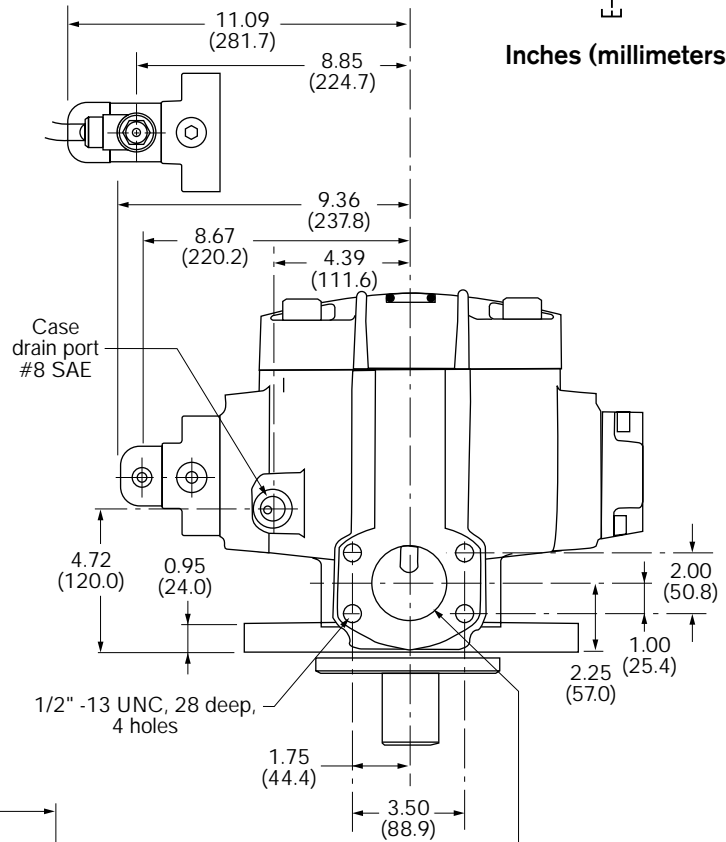
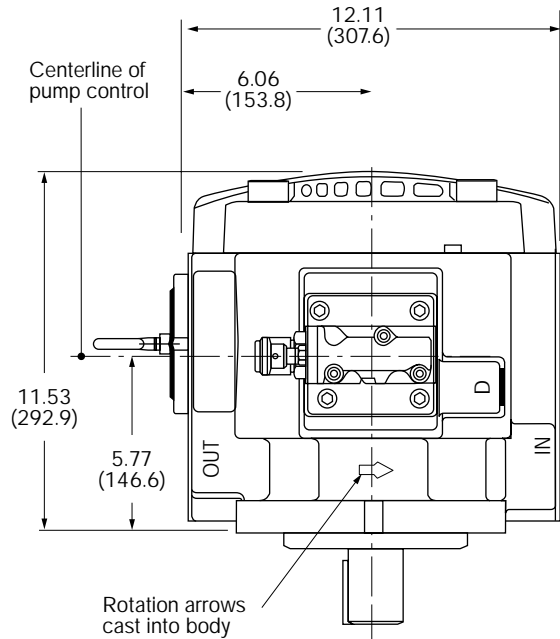


**VPV 100/130/164, Single pump, S.A.E. 'D' flange, RH rotation**



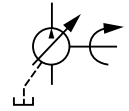
Inches (millimeters)

SINGLE STAGE CONTROL  
NOT AVAILABLE ON VPV 45-164

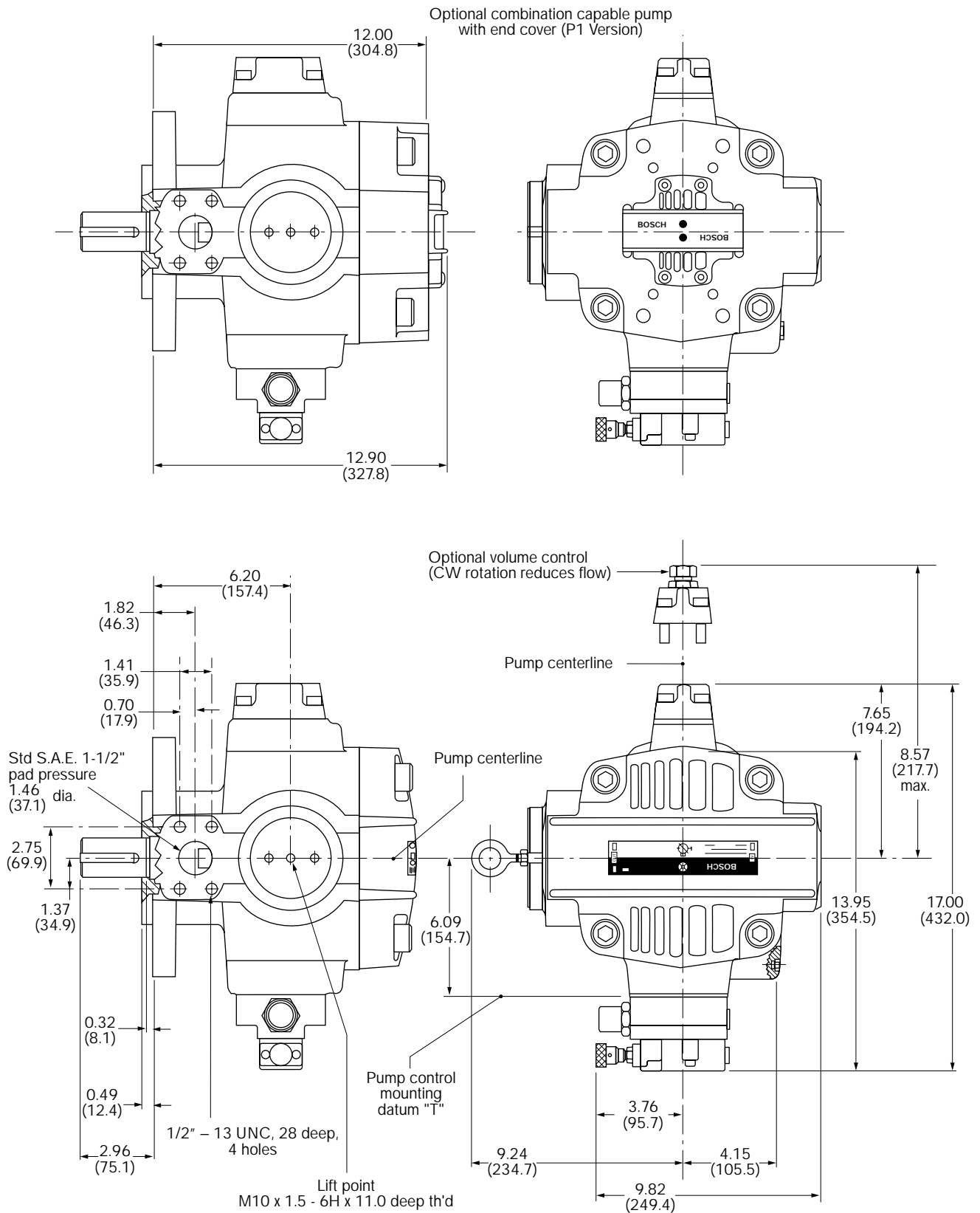


SCALE: 2X

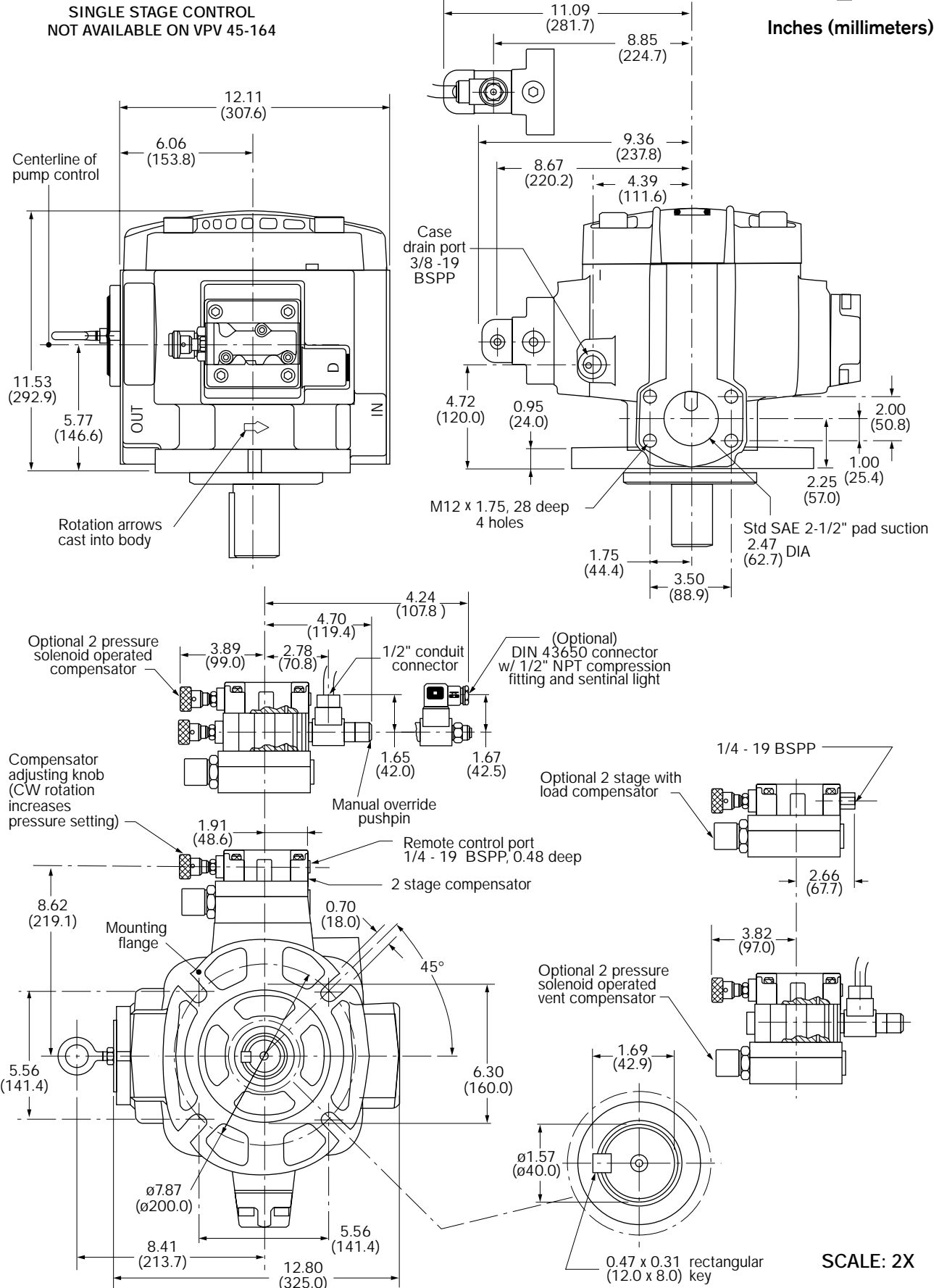
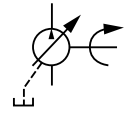
VPV 100/130/164, Single pump, S.A.E. 'D' flange, RH rotation (continued)



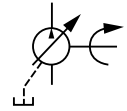
Inches (millimeters)



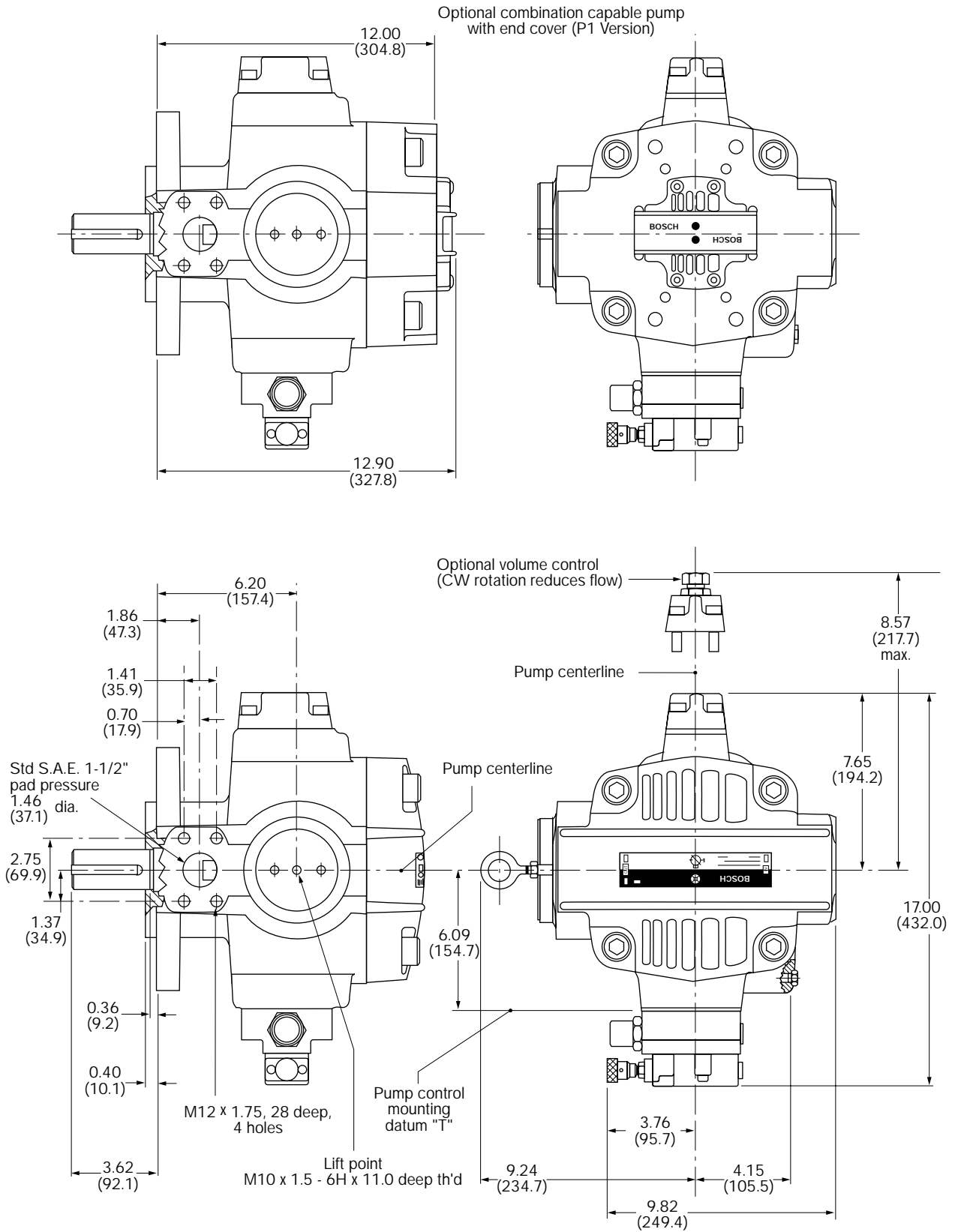
**VPV 100/130/164, Single pump, Metric flange, RH rotation**



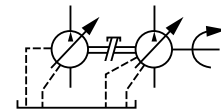
VPV 100/130/164, Single pump, Metric flange, RH rotation (continued)



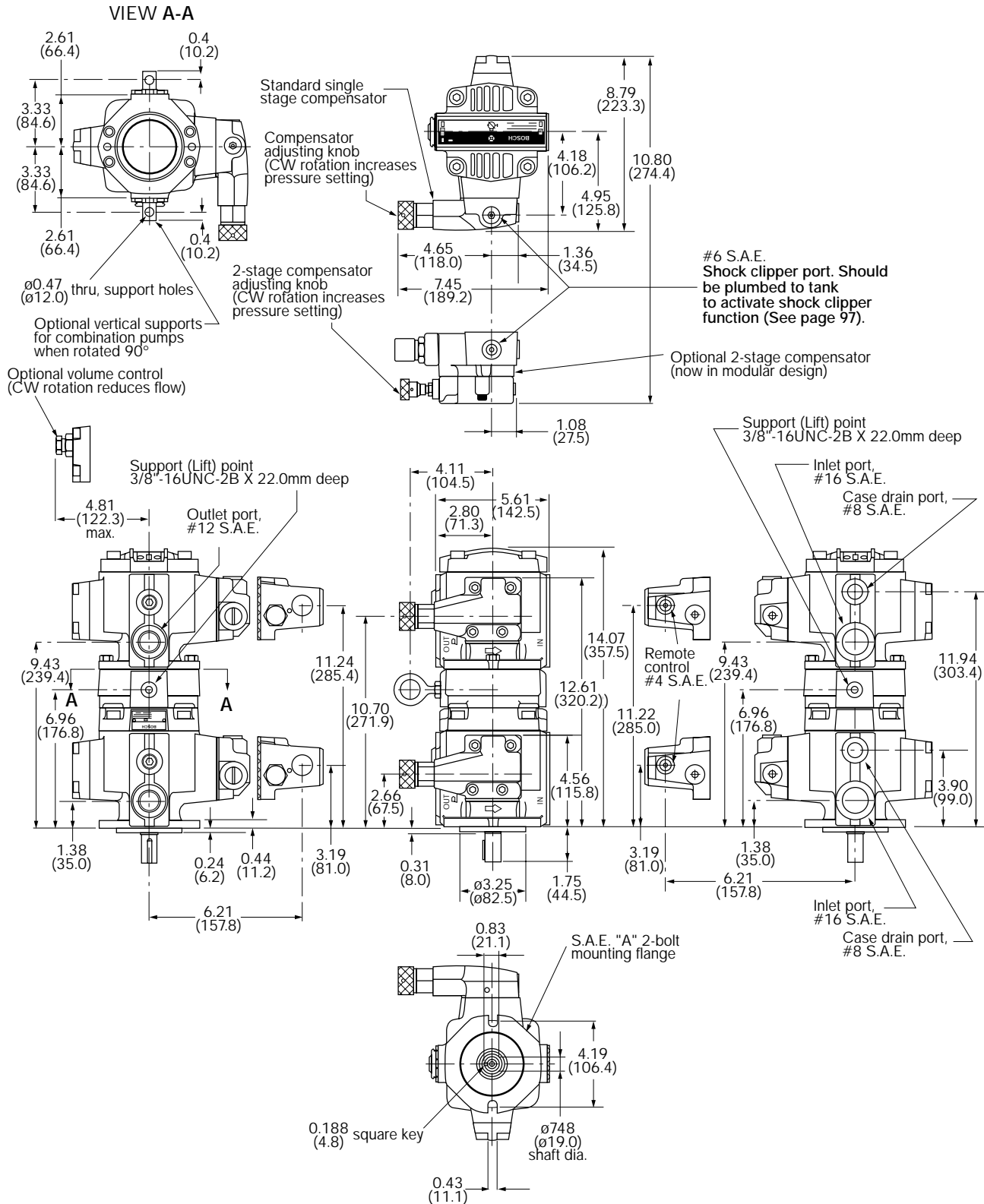
Inches (millimeters)



**VPV 16, Combination pump, S.A.E. 'A' flange, RH rotation**

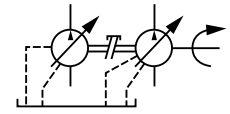


Inches (millimeters)





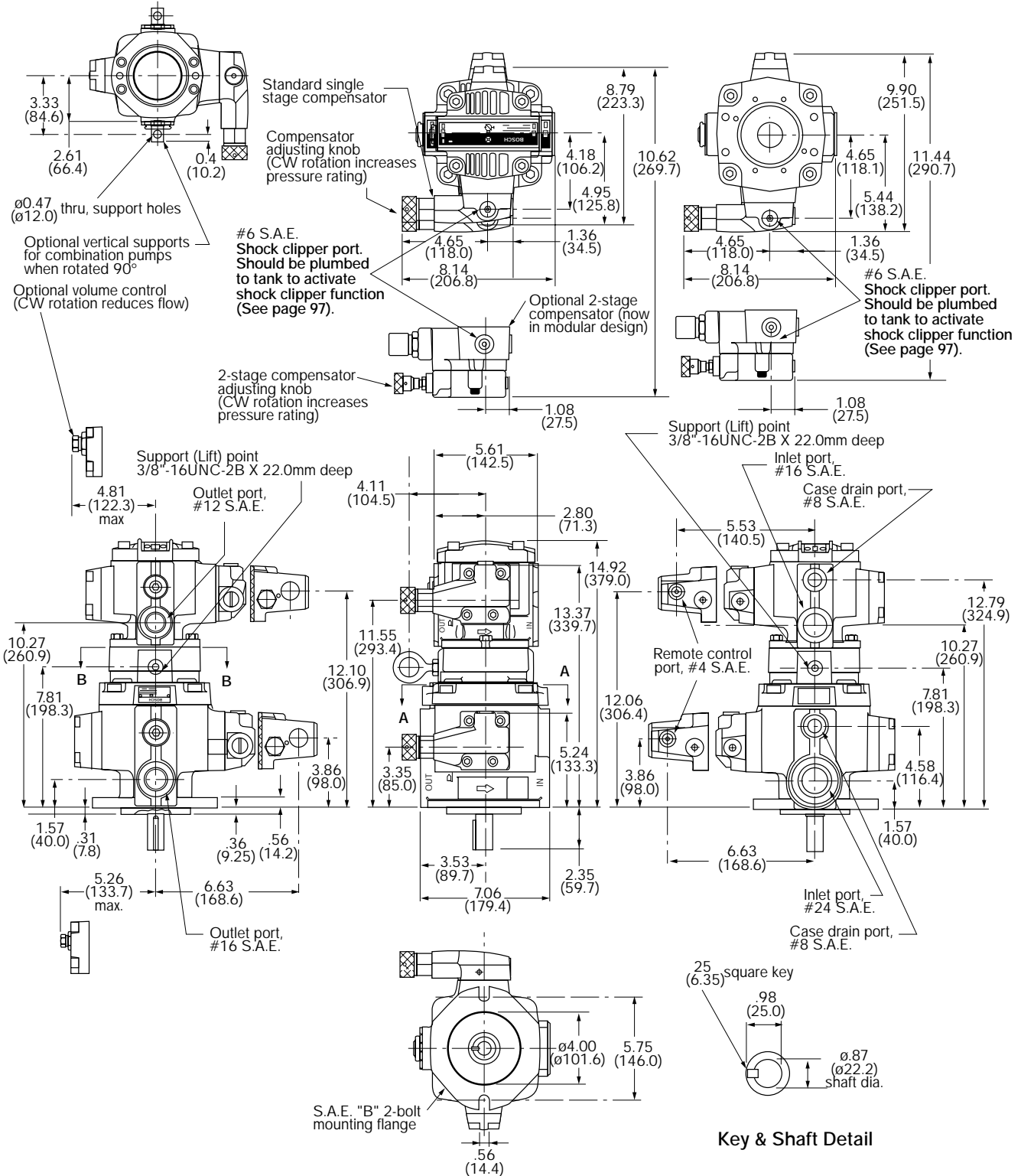
**VPV 32/16, Combination pump, S.A.E. 'B' flange, RH rotation**



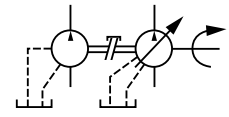
Inches (millimeters)

**VIEW B-B**

**VIEW A-A**

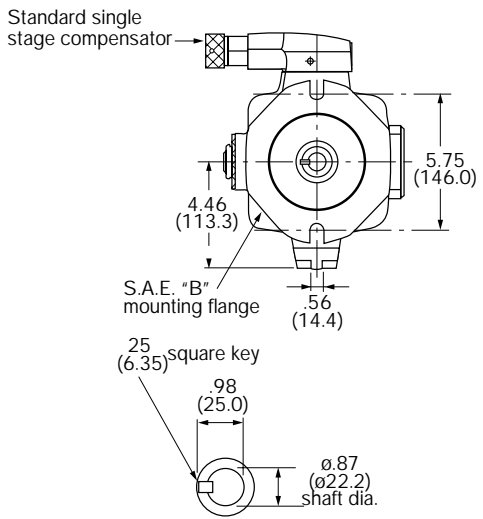
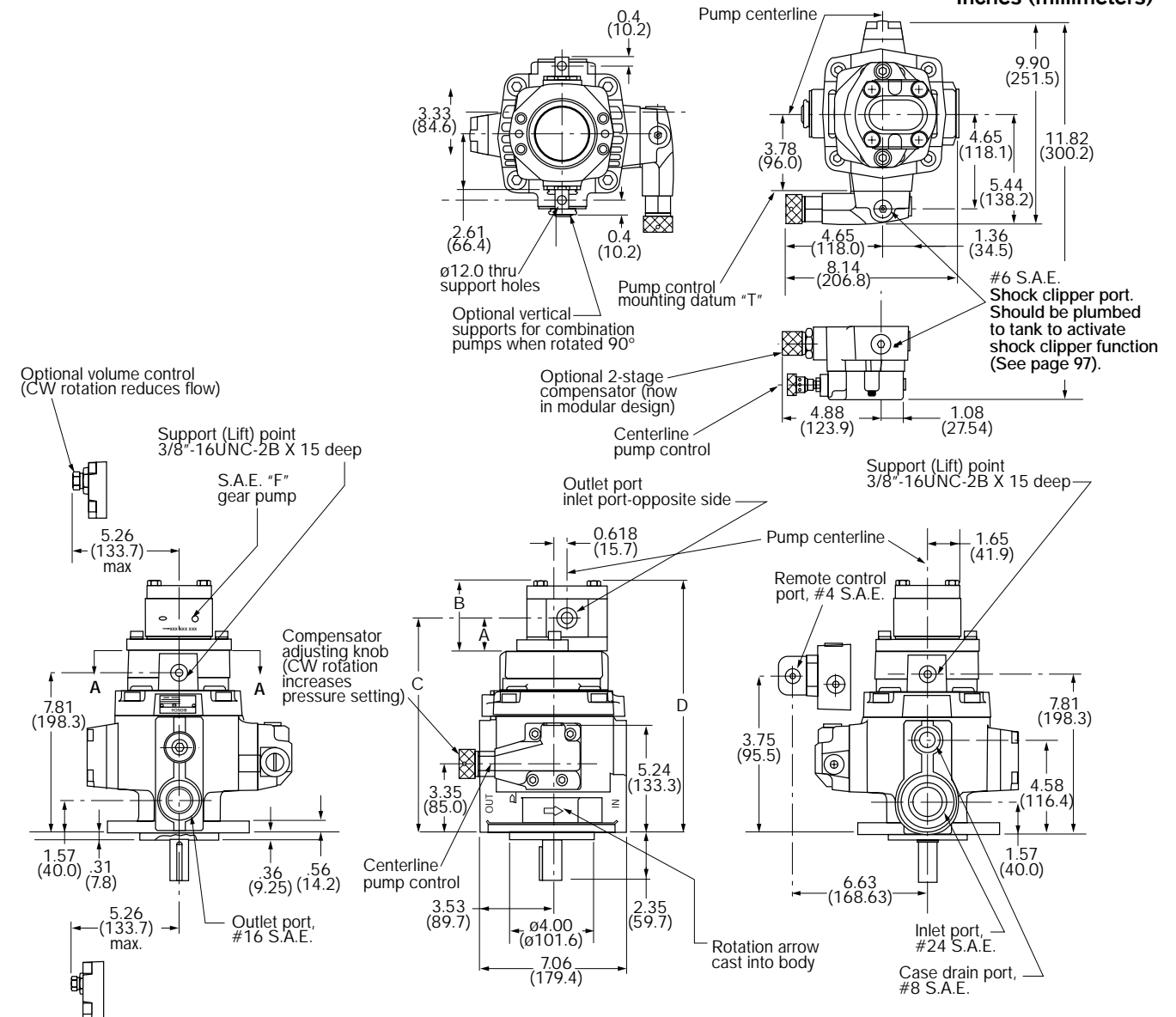


VPV 32/25, Combination pump, S.A.E. to 'F' gear, RH rotation



VIEW A-A

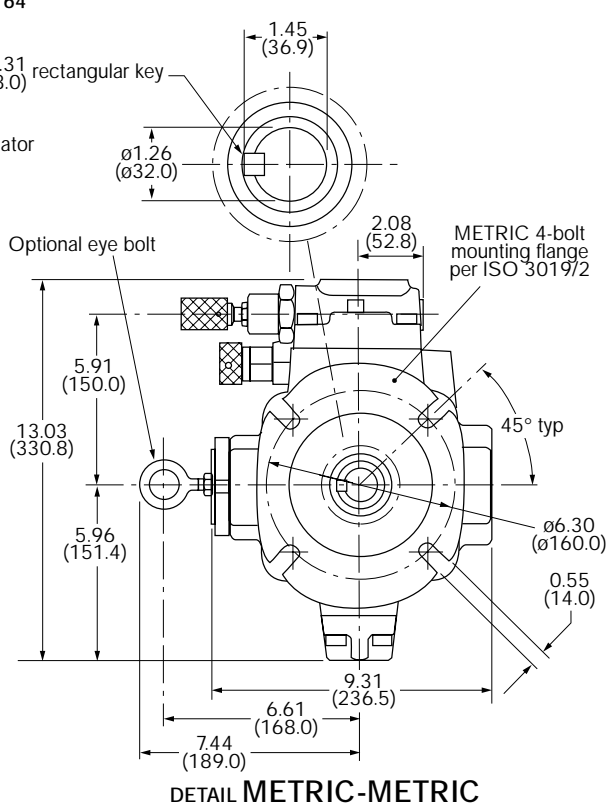
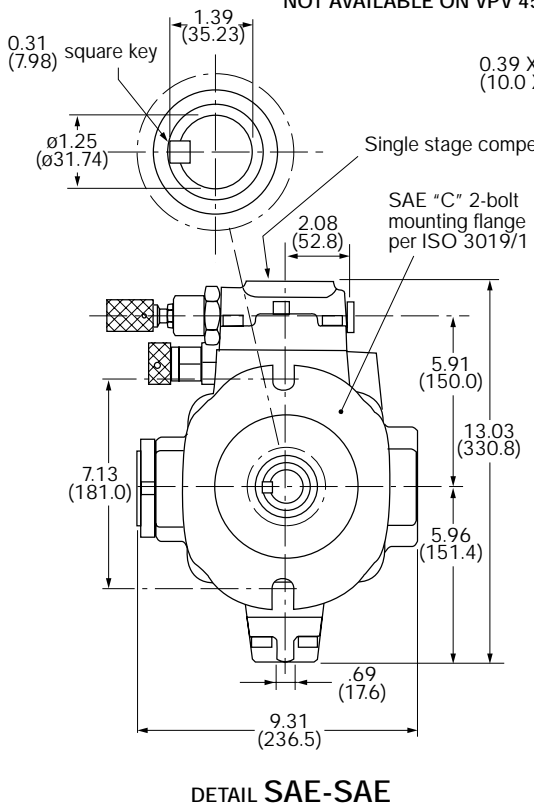
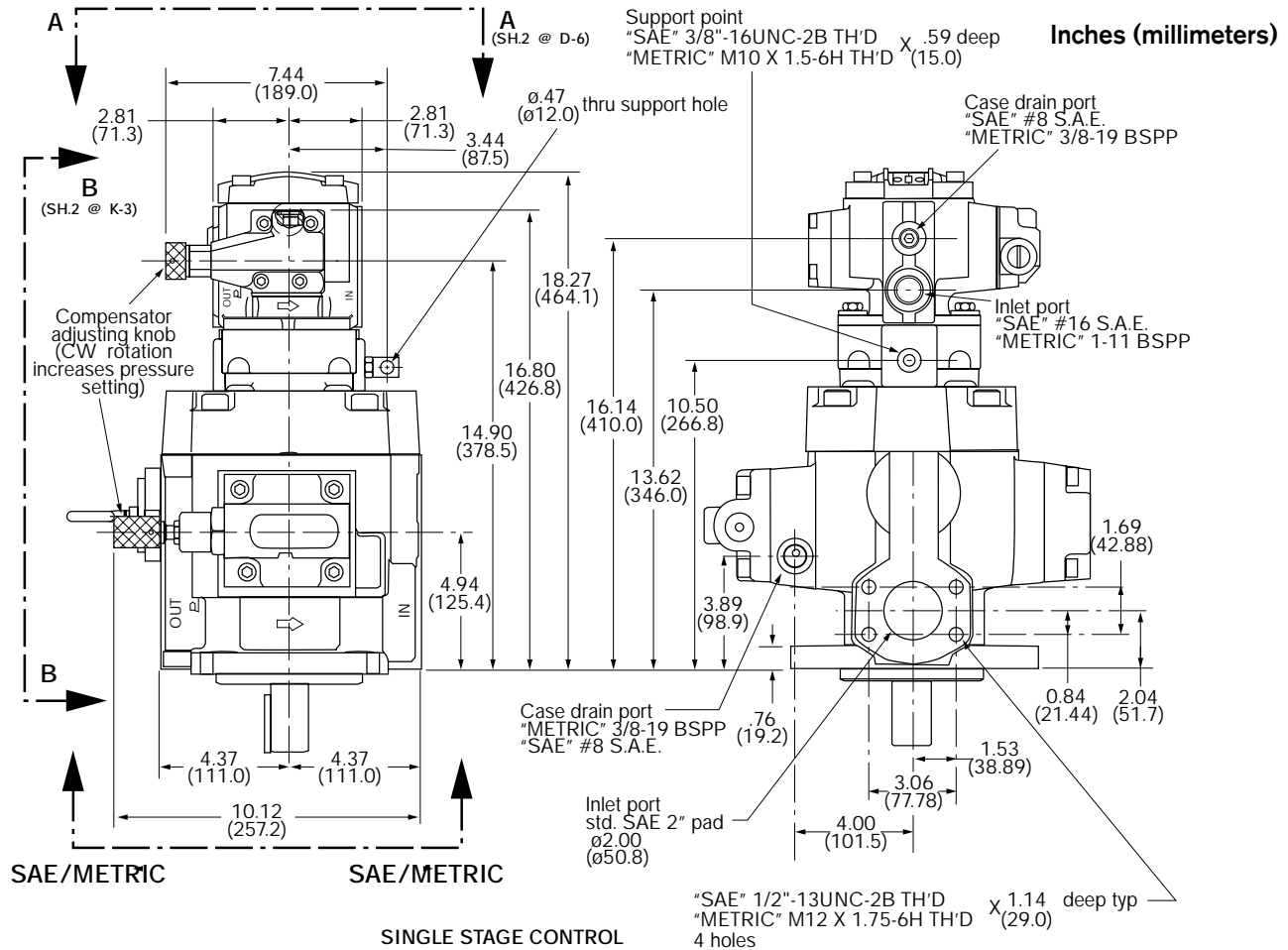
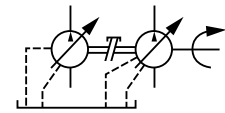
Inches (millimeters)



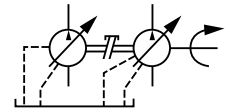
Key & Shaft Detail

Gear Pump Theoretical Displacement	Dimension				Port Size		Total Weight (Vane Pump + Gear Pump)
	A	B	C	D	INLET	OUTLET	
	in (mm)	in (mm)	in (mm)	in (mm)			
0.24 (cc/rev)	1.571 (39.9)	3.346 (85.0)	10.46 (265.7)	12.24 (311.0)	9/16-18 UNF	9/16-18 UNF	70.0 (31.7)
0.34 (5.5)	1.618 (41.1)	3.445 (87.5)	10.51 (267.0)	12.34 (313.5)	9/16-18 UNF	9/16-18 UNF	70.2 (31.8)
0.49 (8)	1.697 (43.2)	3.606 (91.6)	10.59 (269.0)	12.50 (317.5)	7/8-14 UNF	7/8-14 UNF	70.4 (31.9)
0.67 (11)	1.850 (47.0)	3.803 (96.6)	10.74 (272.8)	12.70 (322.5)	1-1/16-12 UNF	7/8-14 UNF	70.6 (32.0)
0.85 (14)	1.870 (47.5)	4.0 (101.6)	10.76 (273.3)	12.90 (327.7)	1-1/16-12 UNF	7/8-14 UNF	70.8 (32.1)
0.98 (16)	1.870 (47.5)	4.134 (105.0)	10.76 (273.3)	13.03 (331.0)	1-1/16-12 UNF	7/8-14 UNF	70.9 (32.2)
1.16 (19)	1.870 (47.5)	4.330 (110.0)	10.76 (273.3)	13.23 (336.0)	1-1/16-12 UNF	7/8-14 UNF	71.1 (32.3)
1.37 (22.5)	2.169 (55.1)	4.543 (115.4)	11.06 (281.0)	13.44 (341.4)	1-1/16-12 UNF	7/8-14 UNF	71.4 (32.4)

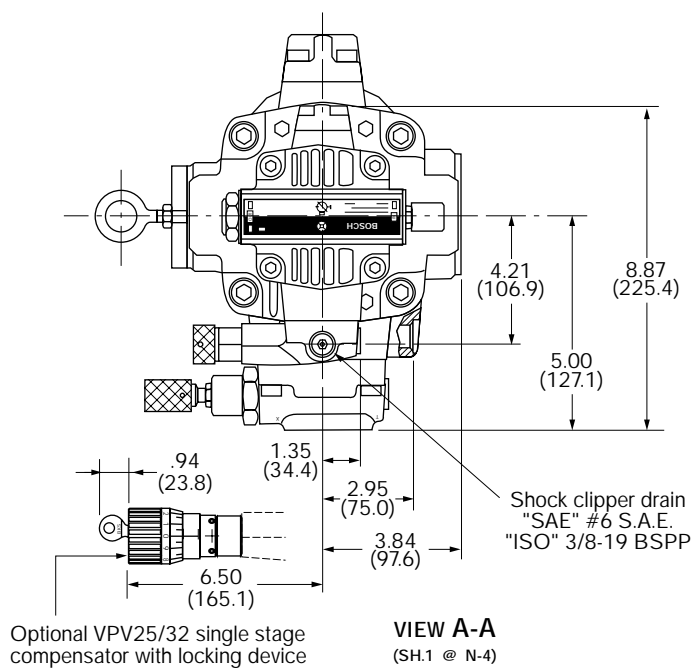
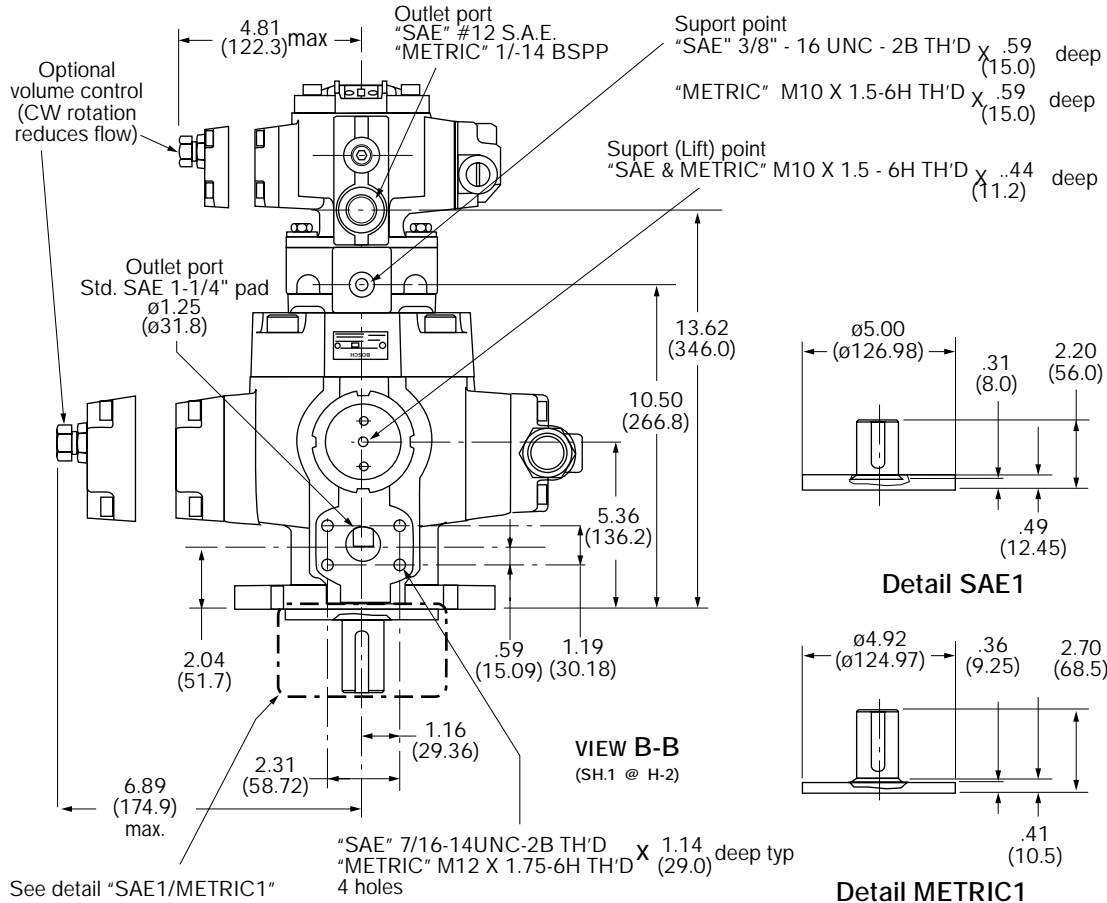
VPV 45/63/80 to VPV 16, S.A.E. & Metric Combination



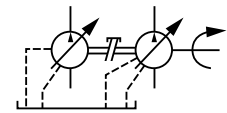
VPV 45/63/80 to VPV 16 (continued)



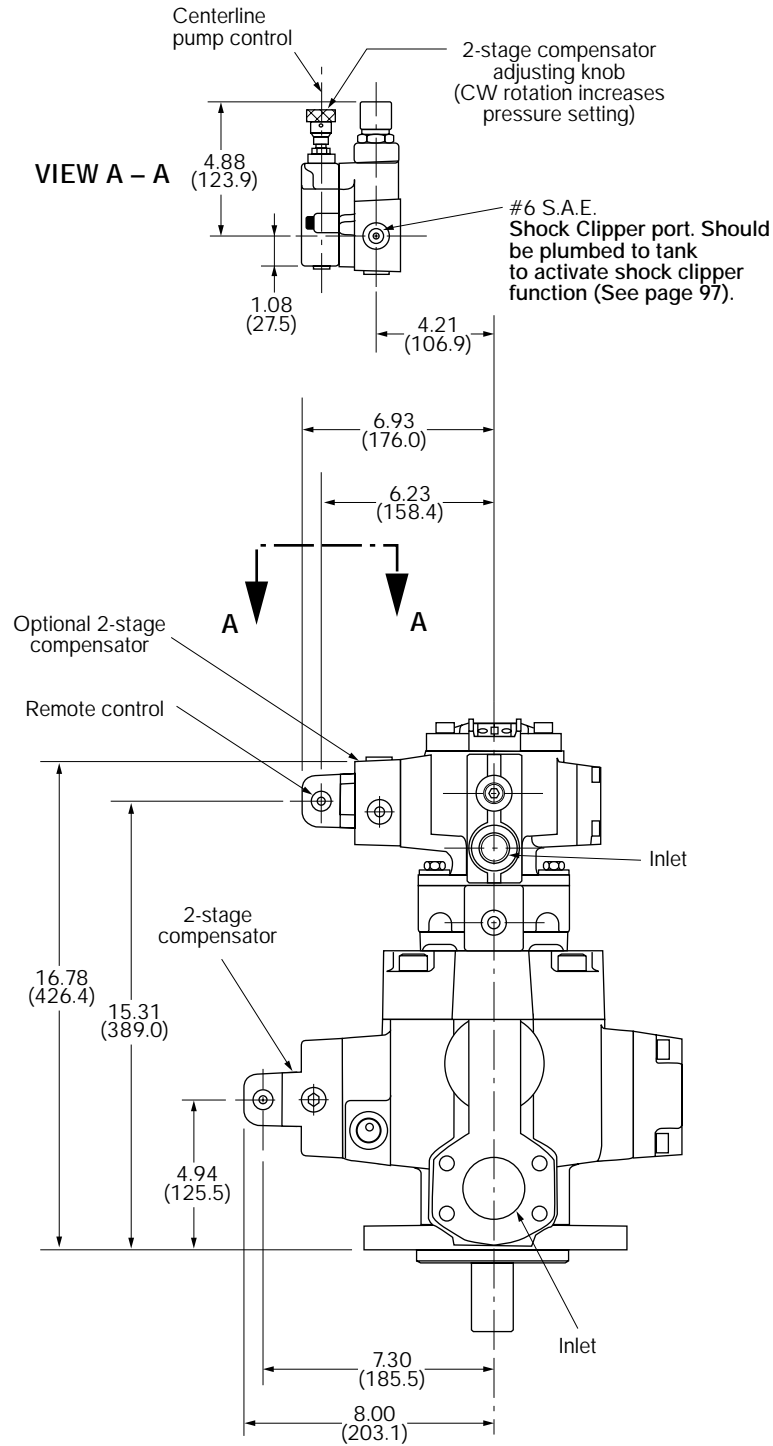
Inches (millimeters)



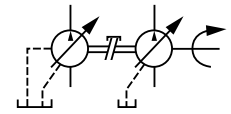
VPV 45/63/80 to VPV 16 (continued)



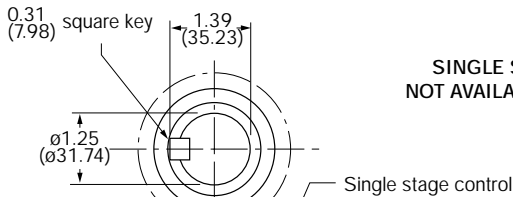
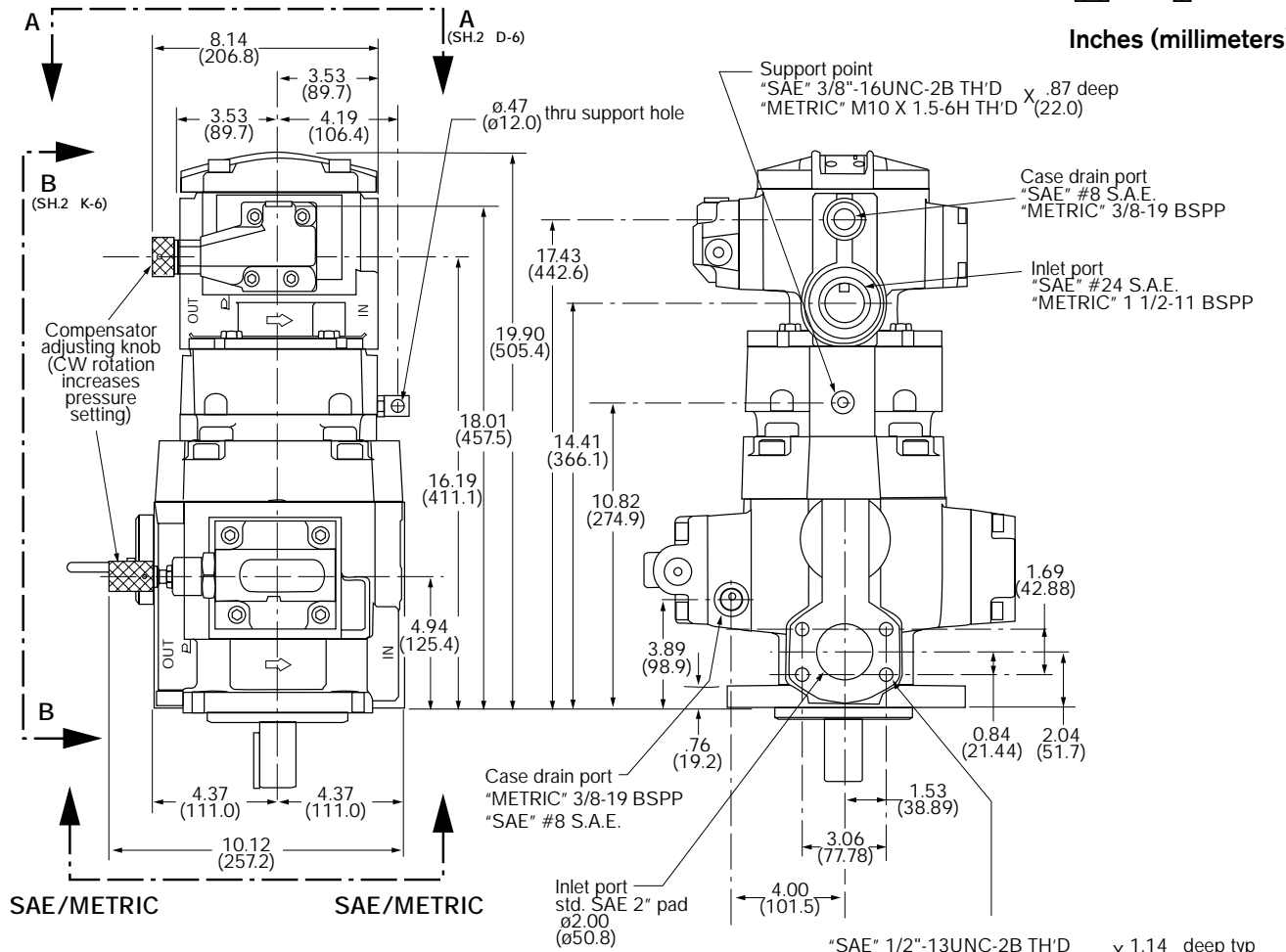
Inches (millimeters)



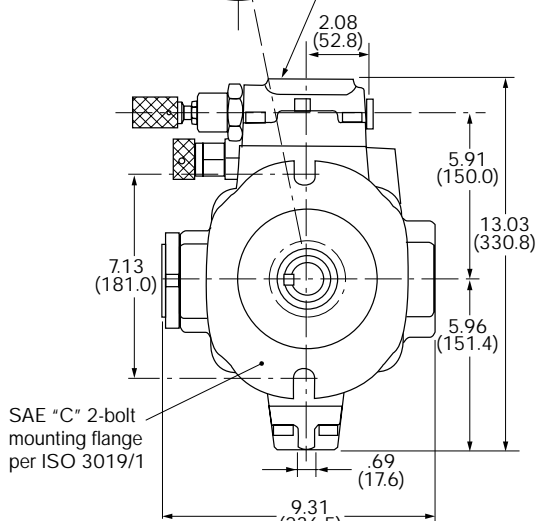
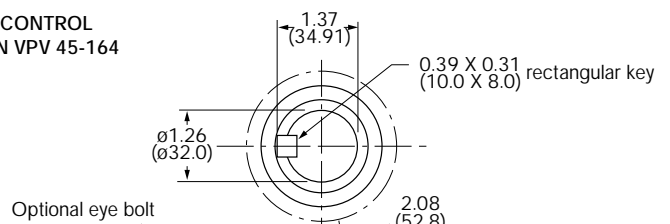
VPV 45/63/80 to VPV 25/32, S.A.E. & Metric Combination



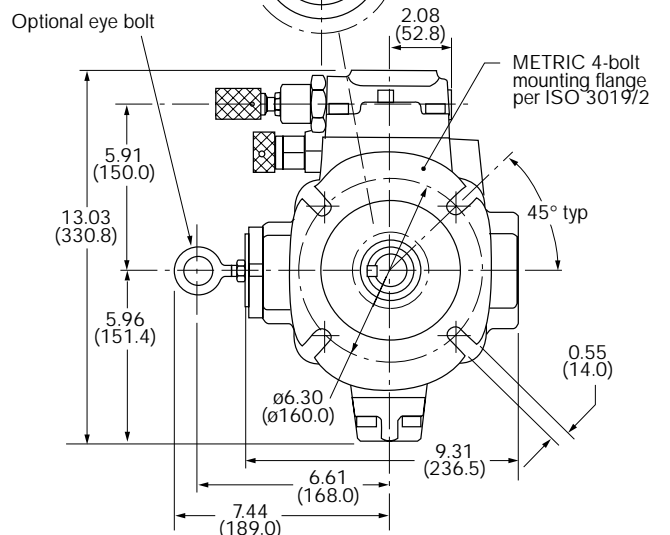
Inches (millimeters)



SINGLE STAGE CONTROL  
 NOT AVAILABLE ON VPV 45-164

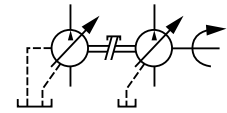


DETAIL SAE-SAE

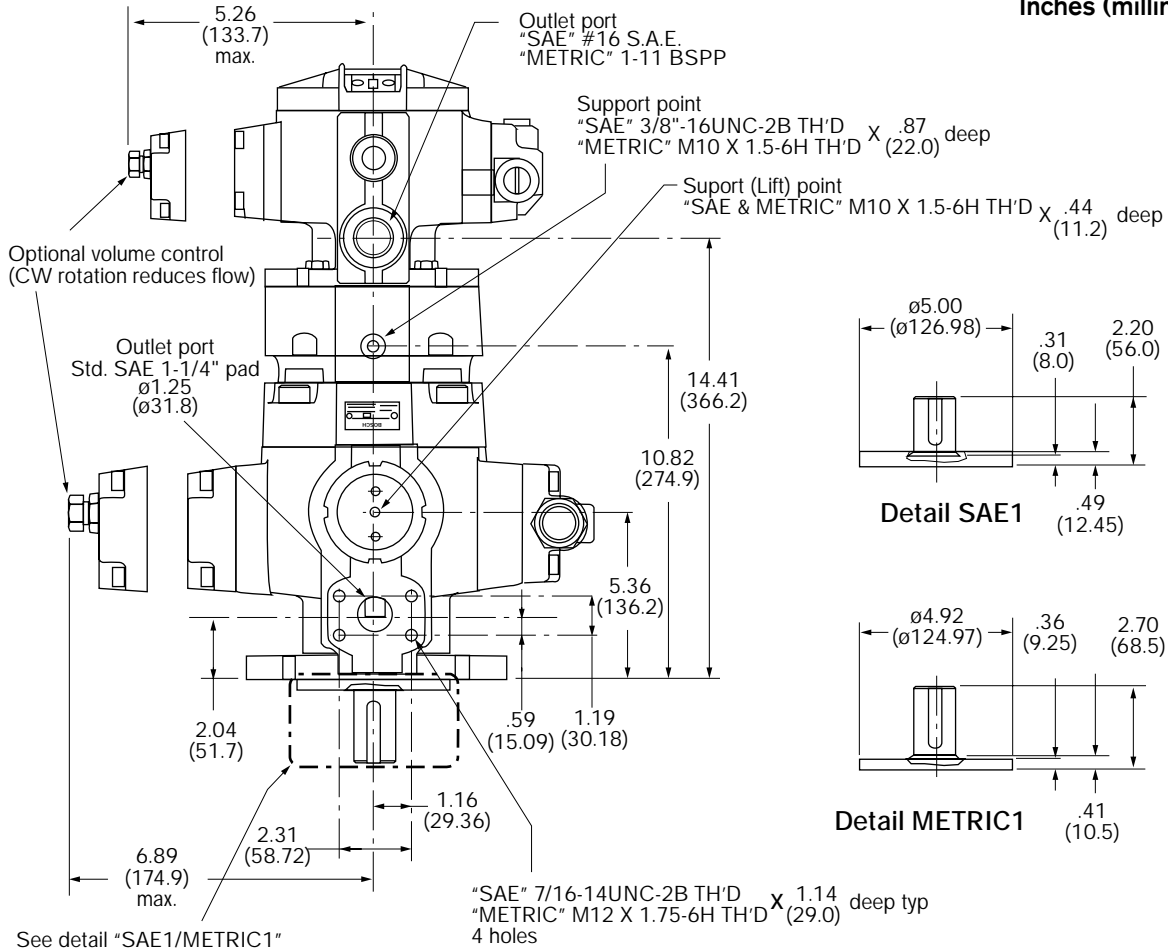


DETAIL METRIC-METRIC

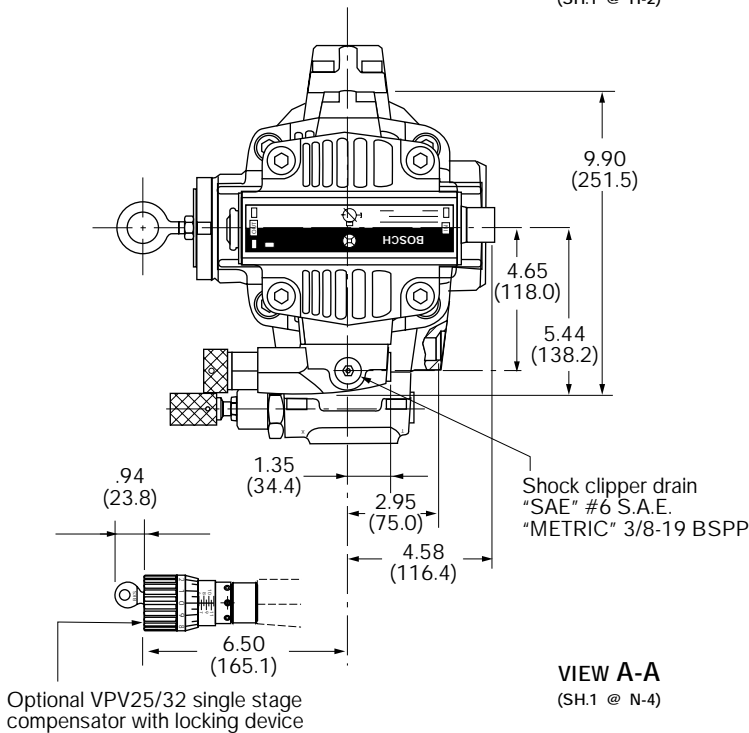
VPV 45/63/80 to VPV 25/32 (continued)



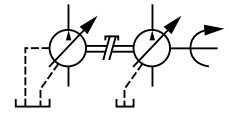
Inches (millimeters)



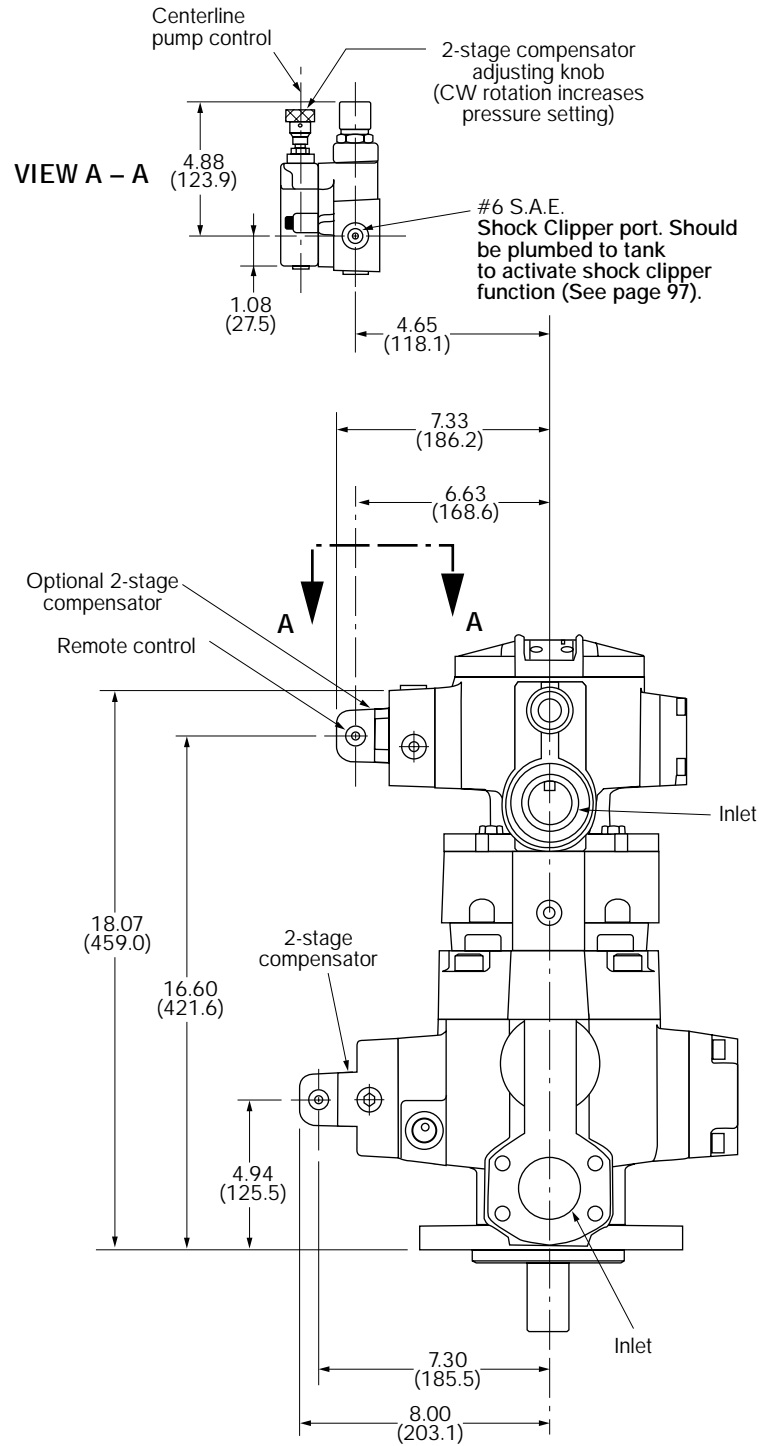
**VIEW B-B**  
(SH.1 @ H-2)



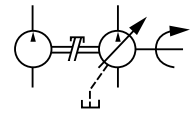
VPV 45/63/80 to VPV 25/32 (continued)



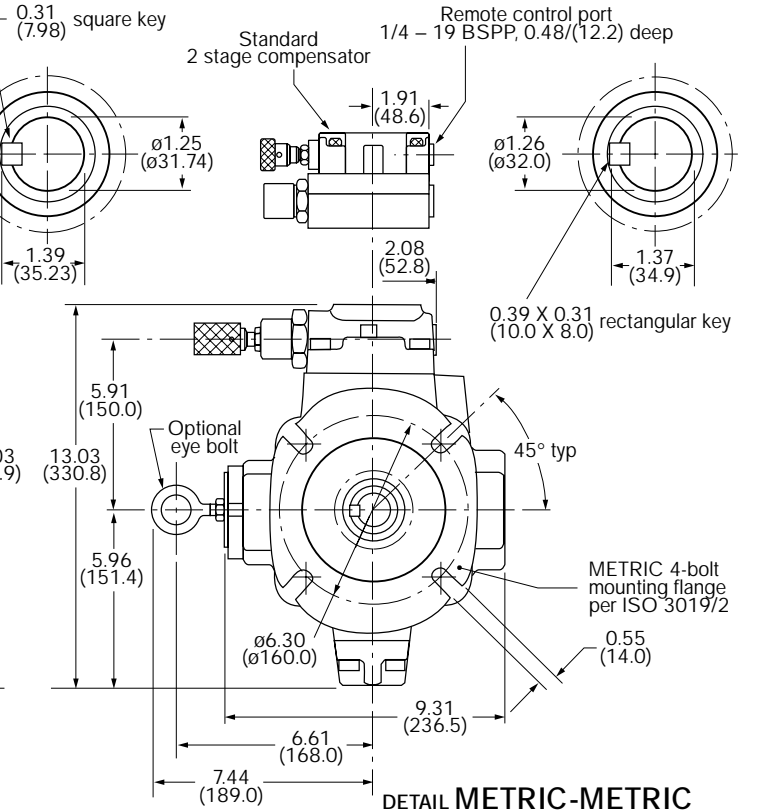
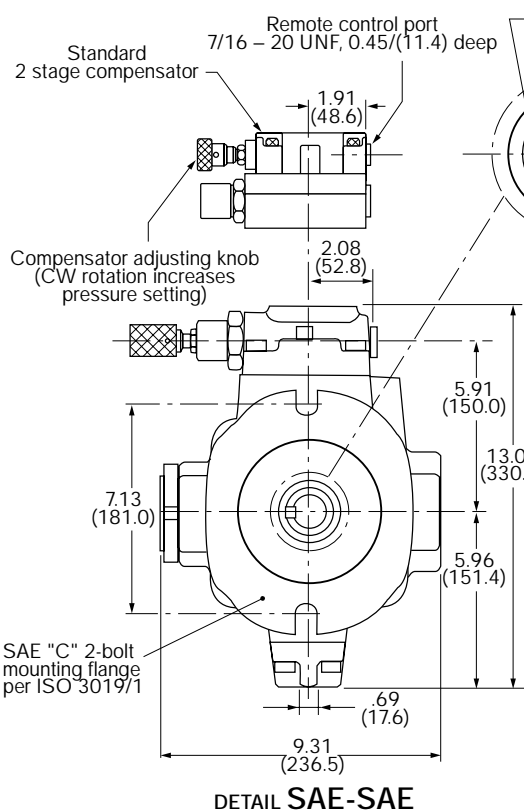
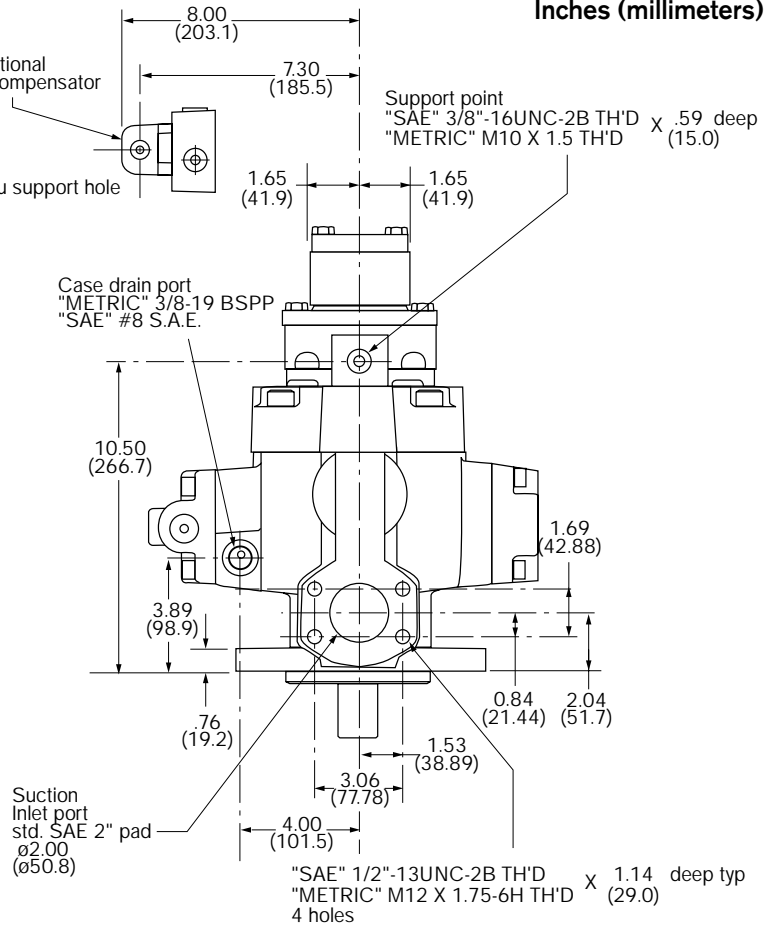
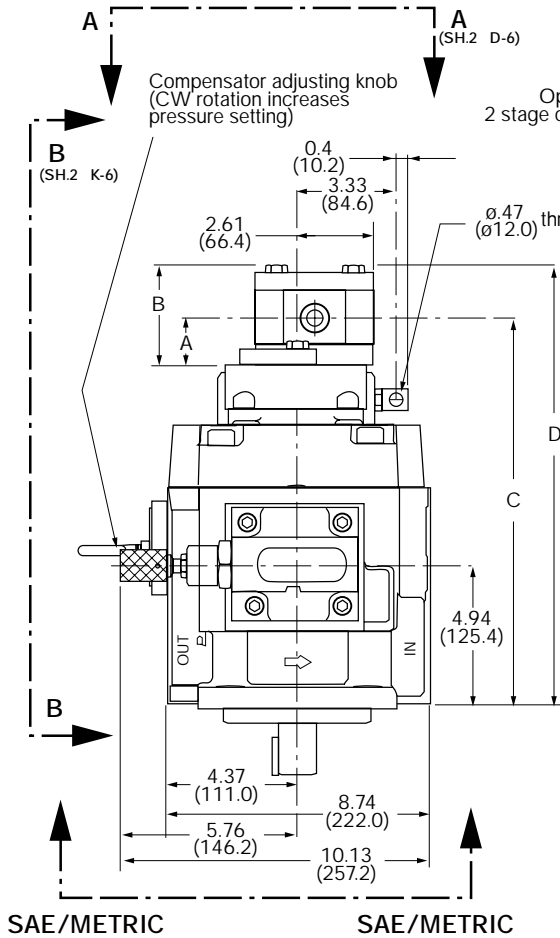
Inches (millimeters)



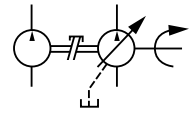
VPV 45/63/80 to an 'F' Gear pump, S.A.E. & Metric Combination



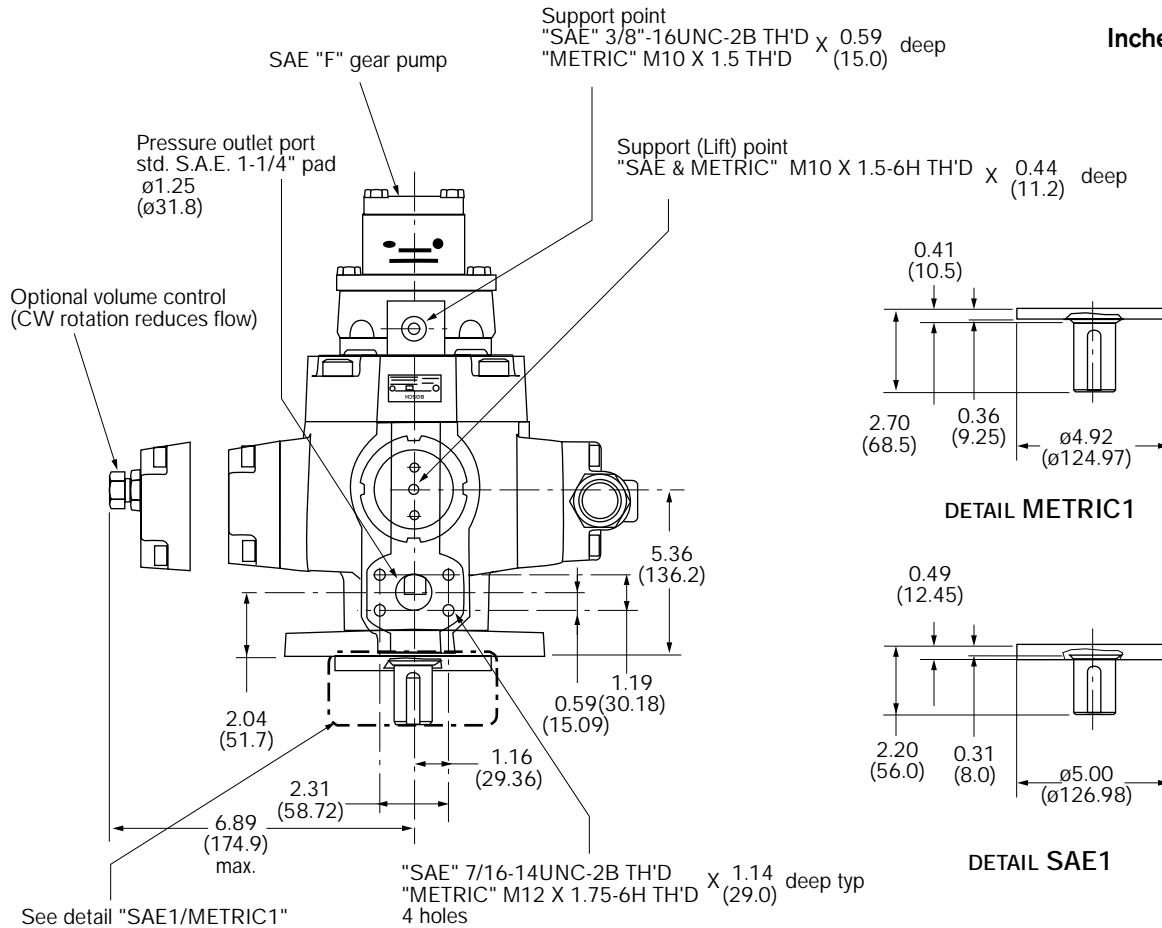
Inches (millimeters)



VPV 45/63/80 to an 'F' Gear pump (continued)



Inches (millimeters)

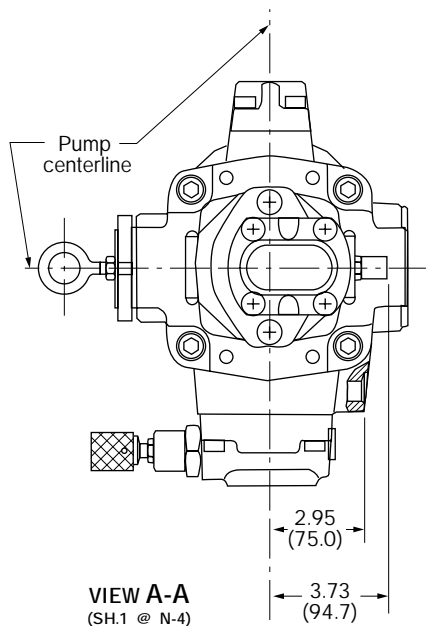


DETAIL METRIC1

DETAIL SAE1

See detail "SAE1/METRIC1"

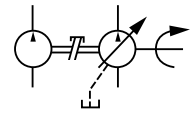
VIEW B-B  
(SH.1 @ H-2)



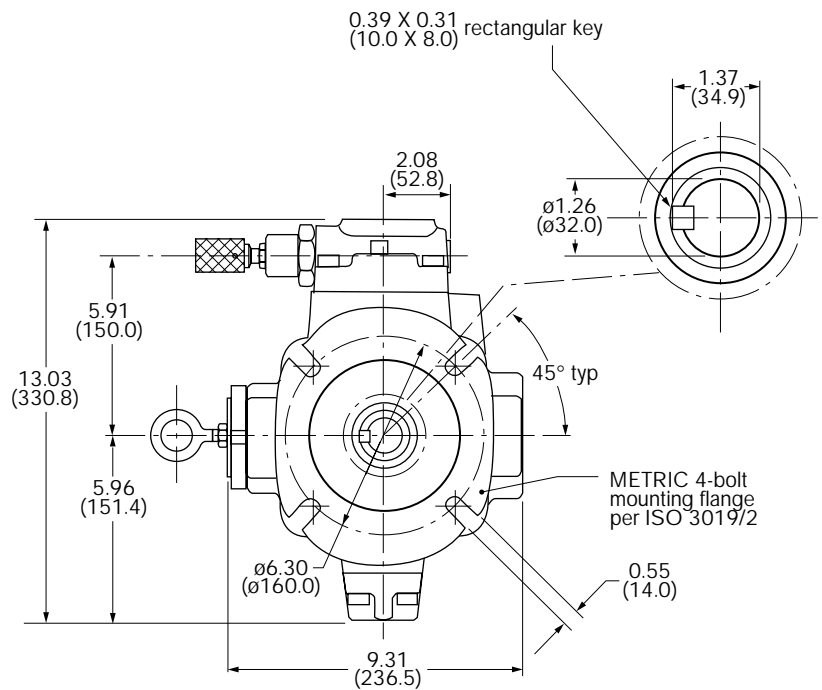
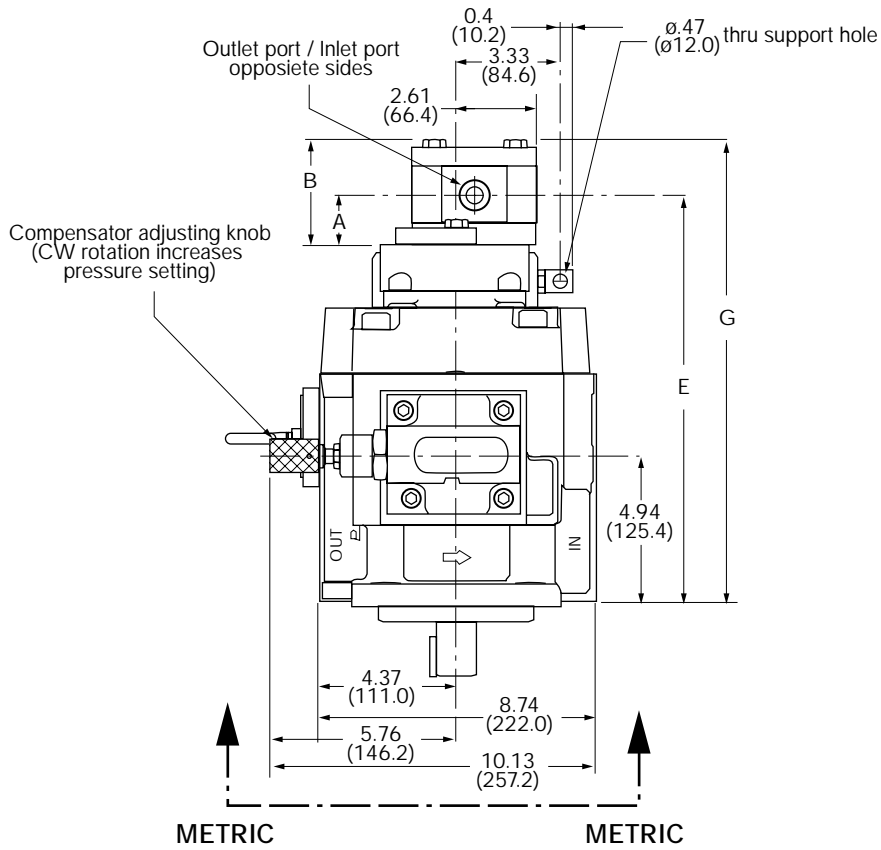
VIEW A-A  
(SH.1 @ N-4)

Gear pump Theoretical Displacement	Dimension						Gear Pump Port Sizes		Total Weight (Vane Pump & Gear Pump)
	A	B	C	D	E	F	Inlet	Outlet	
0.24 (4)	1.571 (39.9)	3.346 (85.0)	13.30 (337.8)	15.08 (383.2)	13.56 (344.6)	15.35 (390.0)	9/16-18 UNF	9/16-18 UNF	135 (61.2)
0.34 (5.5)	1.618 (41.1)	3.445 (87.5)	13.35 (339.1)	15.19 (385.7)	13.62 (345.9)	15.45 (392.5)	9/16-18 UNF	9/16-18 UNF	135.2 (61.3)
0.49 (8)	1.697 (43.2)	3.606 (91.6)	13.43 (341.1)	15.34 (389.7)	13.70 (347.9)	15.61 (396.5)	7/8-14 UNF	7/8-14 UNF	135.4 (61.4)
0.67 (11)	1.850 (47.0)	3.803 (96.6)	13.58 (344.9)	15.49 (393.4)	13.85 (351.7)	15.76 (400.2)	1-1/16-12 UN	7/8-14 UNF	135.6 (61.5)
0.85 (14)	1.870 (47.5)	4.0 (101.6)	13.60 (345.4)	15.69 (398.5)	13.87 (352.2)	15.96 (405.3)	1-1/16-12 UN	7/8-14 UNF	135.8 (61.6)
0.98 (16)	1.870 (47.6)	4.134 (105.0)	13.6 (345.6)	15.86 (403.0)	13.87 (352.4)	16.13 (409.8)	1-1/16-12 UN	7/8-14 UNF	135.9 (61.6)
1.16 (19)	1.870 (47.5)	4.330 (110.0)	13.6 (345.5)	16.06 (408.0)	13.86 (352.3)	16.33 (414.8)	1-1/16-12 UN	7/8-14 UNF	136.1 (61.7)
1.37 (22.5)	2.169 (55.1)	4.543 (115.4)	13.90 (353.12)	16.27 (413.4)	14.17 (359.9)	16.54 (420.2)	1-1/16-12 UN	7/8-14 UNF	136.4 (61.9)

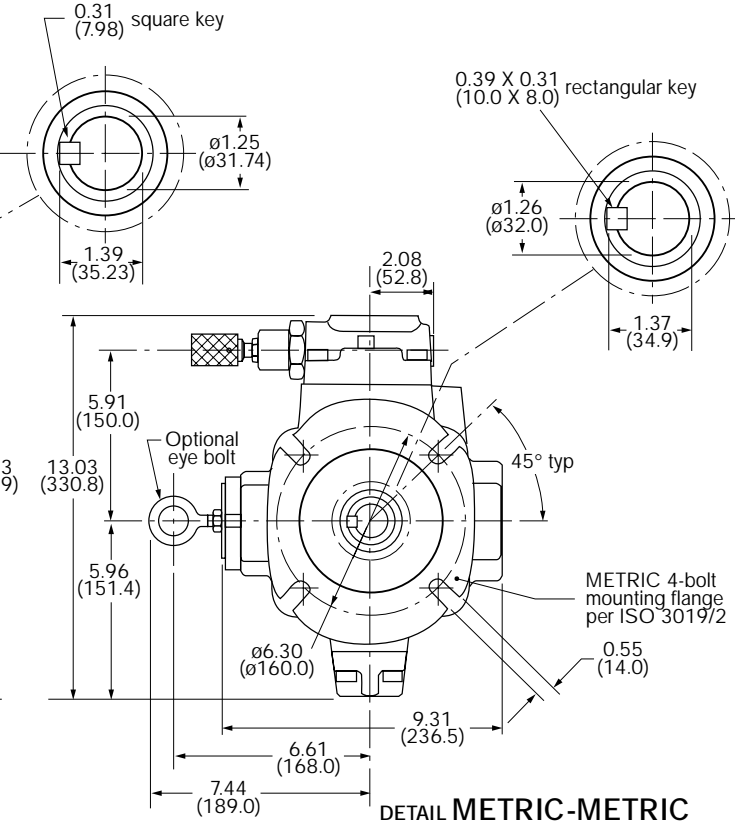
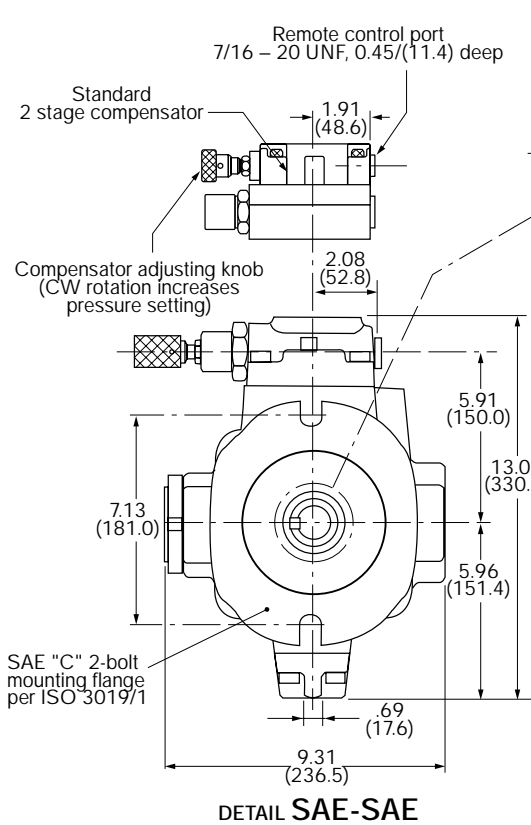
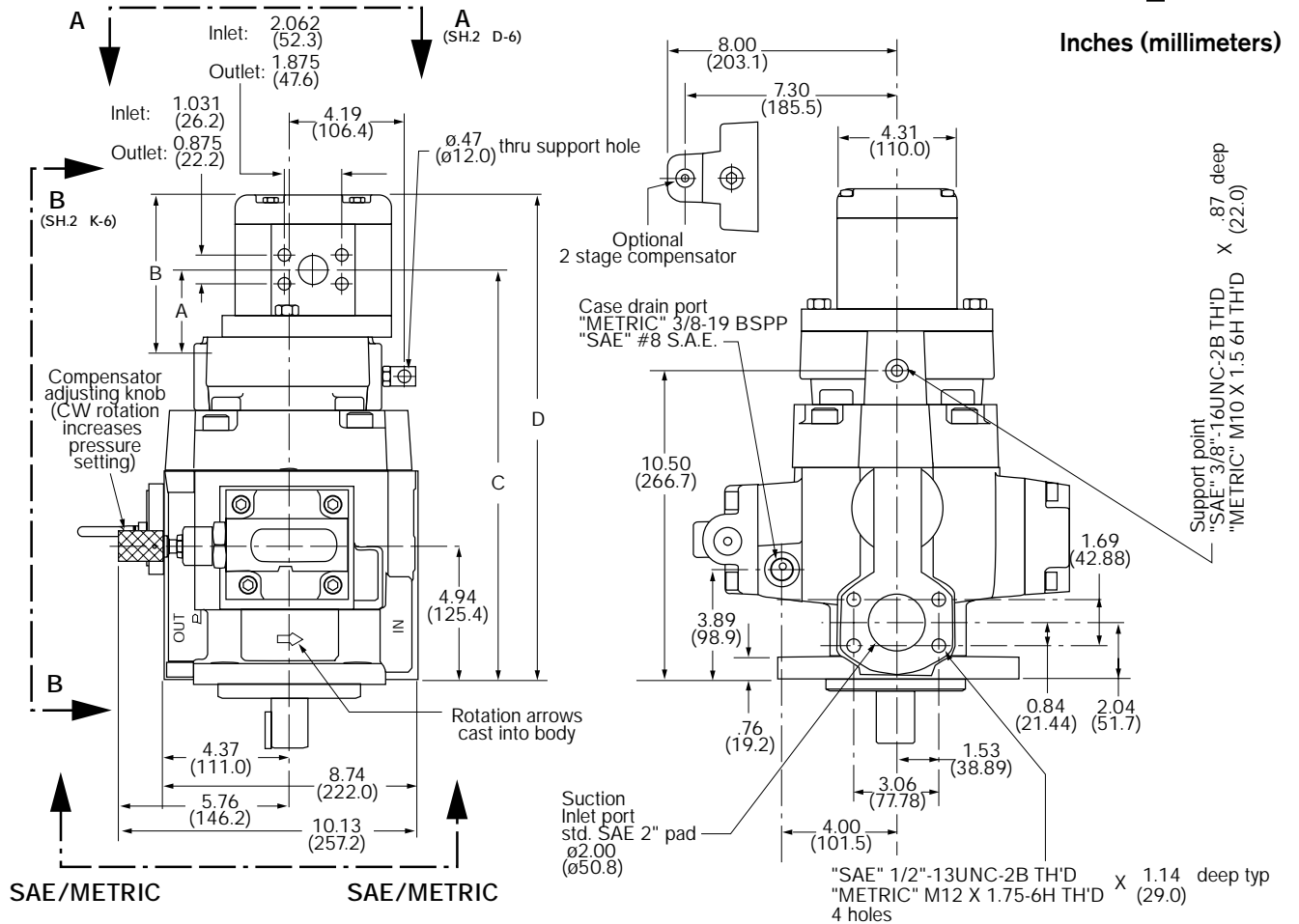
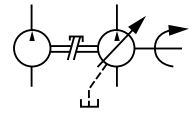
VPV 45/63/80 to an 'F' Gear pump (continued)



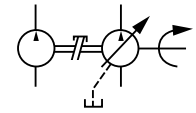
Inches (millimeters)



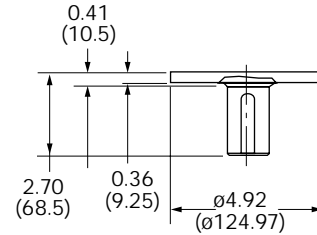
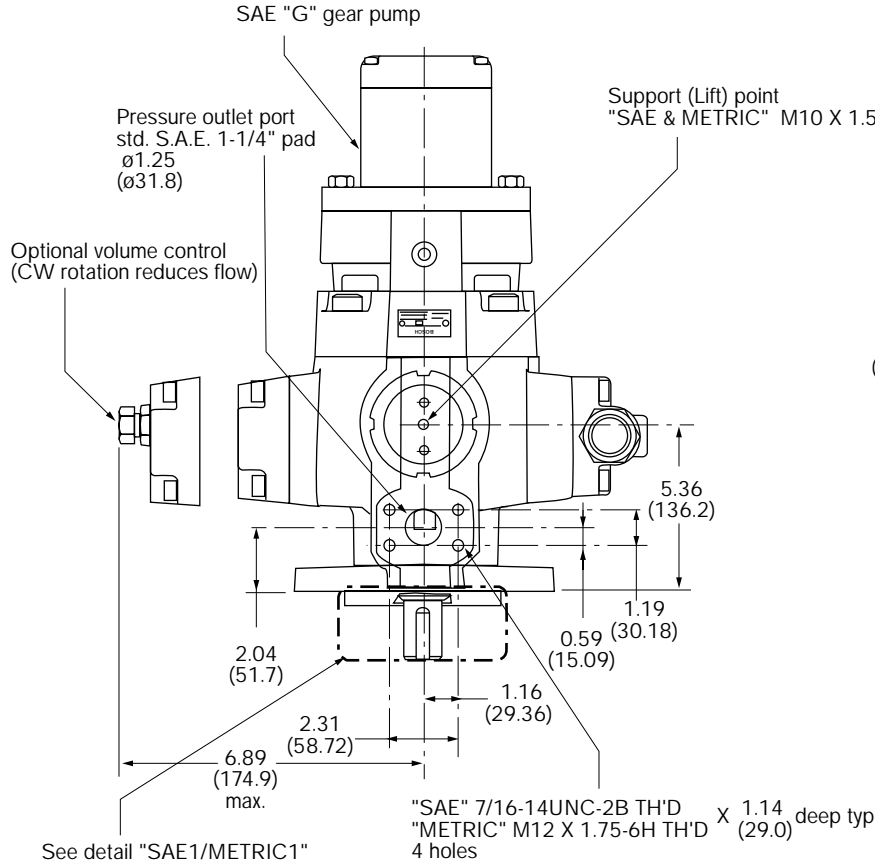
VPV 45/63/80 to an 'G' Gear pump, S.A.E. & Metric Combination



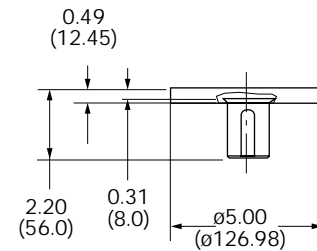
VPV 45/63/80 to an 'G' Gear pump (continued)



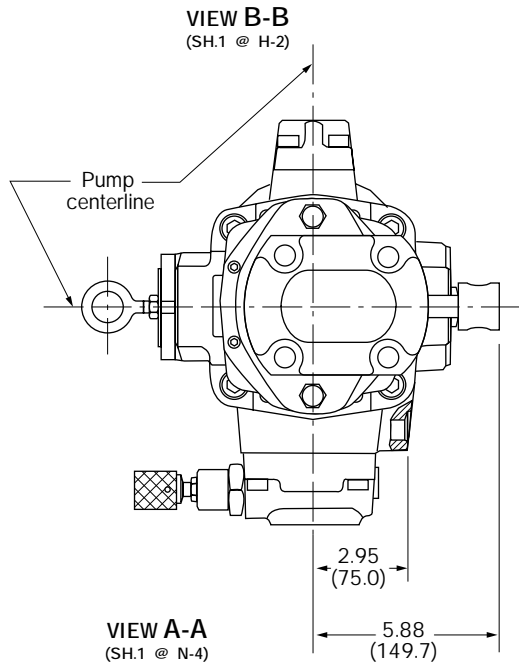
Inches (millimeters)



DETAIL METRIC1

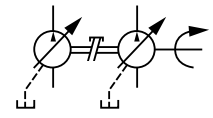


DETAIL SAE1

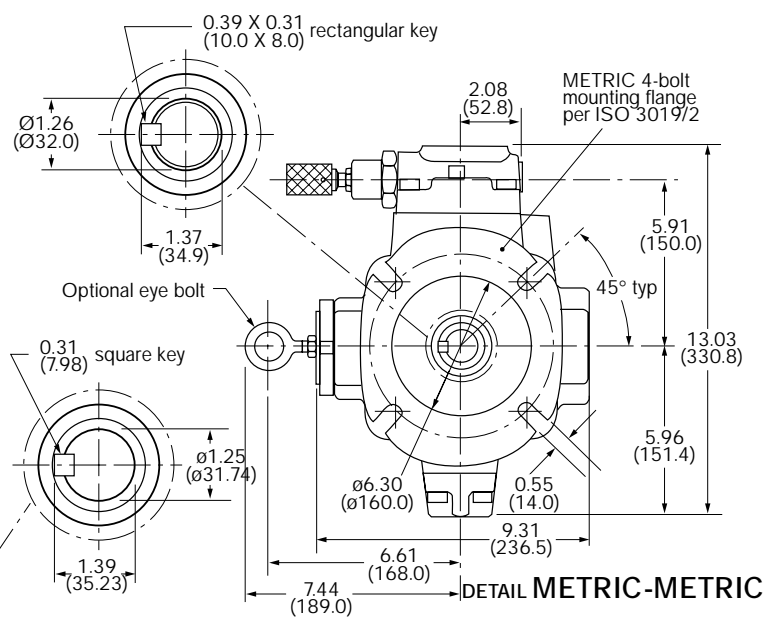
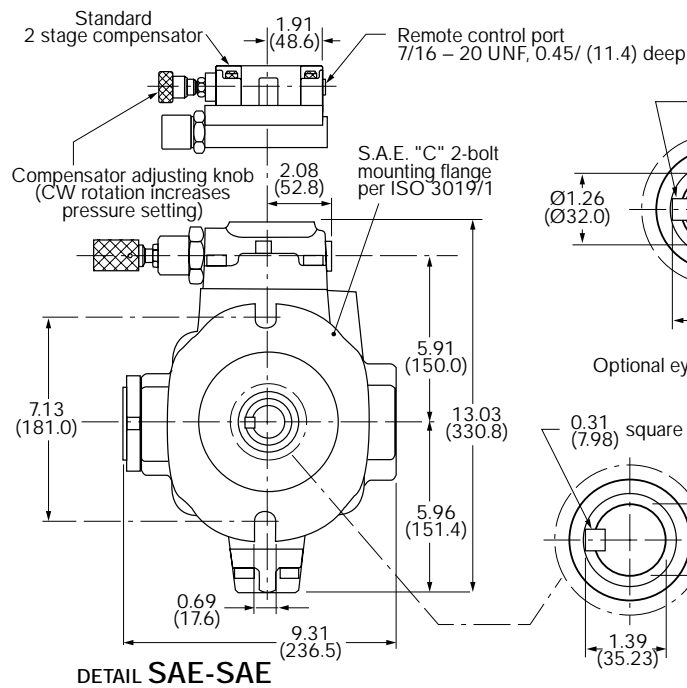
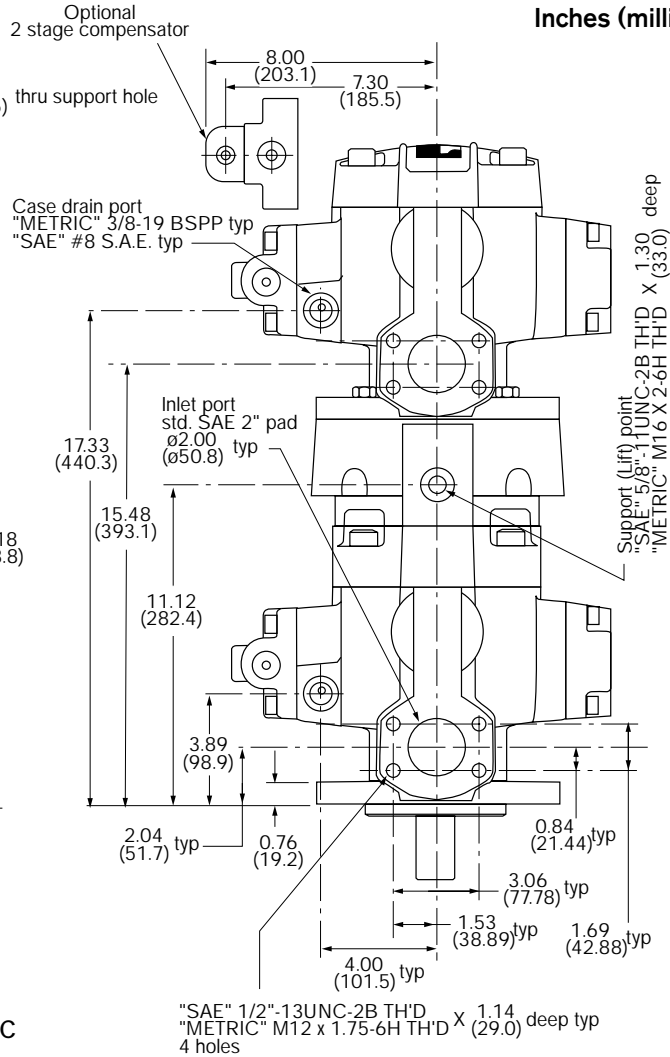
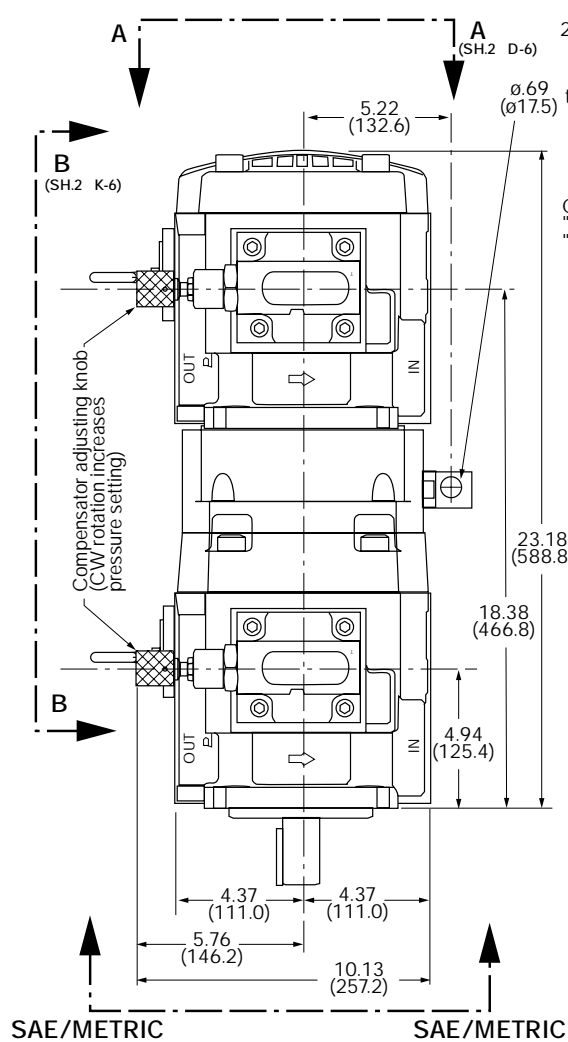


Gear pump Theoretical Displacement	Dimension				Gear Pump Port Sizes		Total Weight (Vane Pump & Gear Pump)
	A	B	C	D	Inlet	Outlet	
in <sup>3</sup> /rev (cc/rev)	in. (mm)	in. (mm)	in. (mm)	in. (mm)			lbs. (Kg)
1.37 (22.5)	2.40 (61.0)	5.07 (128.5)	14.6 (370.8)	17.26 (438.6)	1" S.A.E. 4 bolt	3/4" S.A.E. 4 bolt	271.4 (123.1)
1.71 (28)	2.48 (63.0)	5.26 (133.7)	14.68 (372.8)	17.45 (443.2)	1" S.A.E. 4 bolt	3/4" S.A.E. 4 bolt	271.8 (123.3)
1.95 (32)	2.54 (64.5)	5.40 (137.2)	14.74 (374.4)	17.59 (446.8)	1" S.A.E. 4 bolt	3/4" S.A.E. 4 bolt	272.3 (123.5)
2.32 (38)	2.62 (66.5)	5.62 (142.6)	14.82 (376.4)	17.81 (452.3)	1" S.A.E. 4 bolt	3/4" S.A.E. 4 bolt	272.6 (123.6)
2.75 (45)	2.74 (69.5)	5.87 (149.2)	14.94 (379.4)	18.06 (458.7)	1" S.A.E. 4 bolt	3/4" S.A.E. 4 bolt	273.1 (123.9)
3.42 (56)	2.95 (75.2)	6.31 (160.2)	15.15 (384.8)	18.5 (469.9)	1" S.A.E. 4 bolt	3/4" S.A.E. 4 bolt	274.1 (124.3)

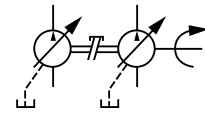
VPV 45/63/80 to VPV 45/63/80, S.A.E. & Metric Combination



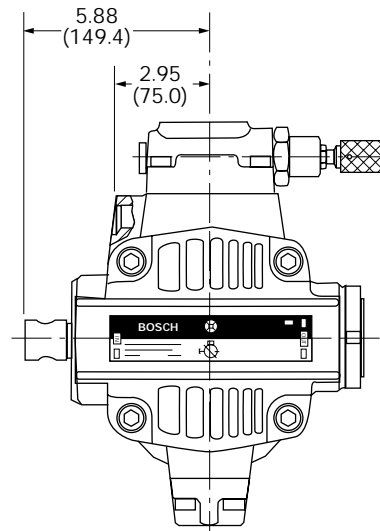
Inches (millimeters)



VPV 45/63/80 to VPV 45/63/80 (continued)



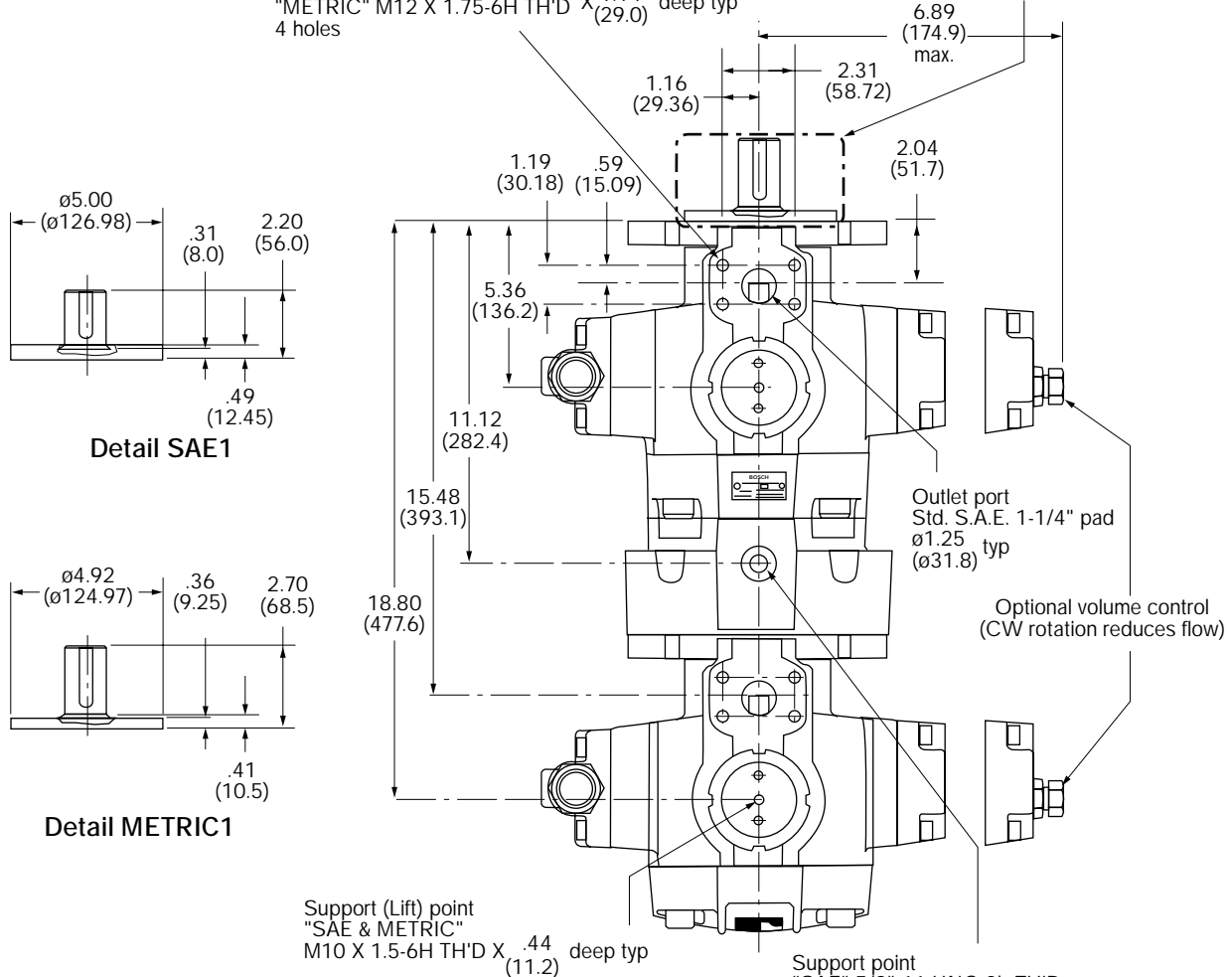
Inches (millimeters)



View A-A  
(SH.1 @ P-2)

"SAE" 7/16"-14UNC-2B TH'D  
"METRIC" M12 X 1.75-6H TH'D X 1.14 deep typ  
4 holes

See detail "SAE1/METRIC1"

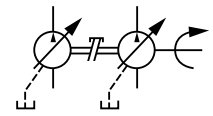


Detail SAE1

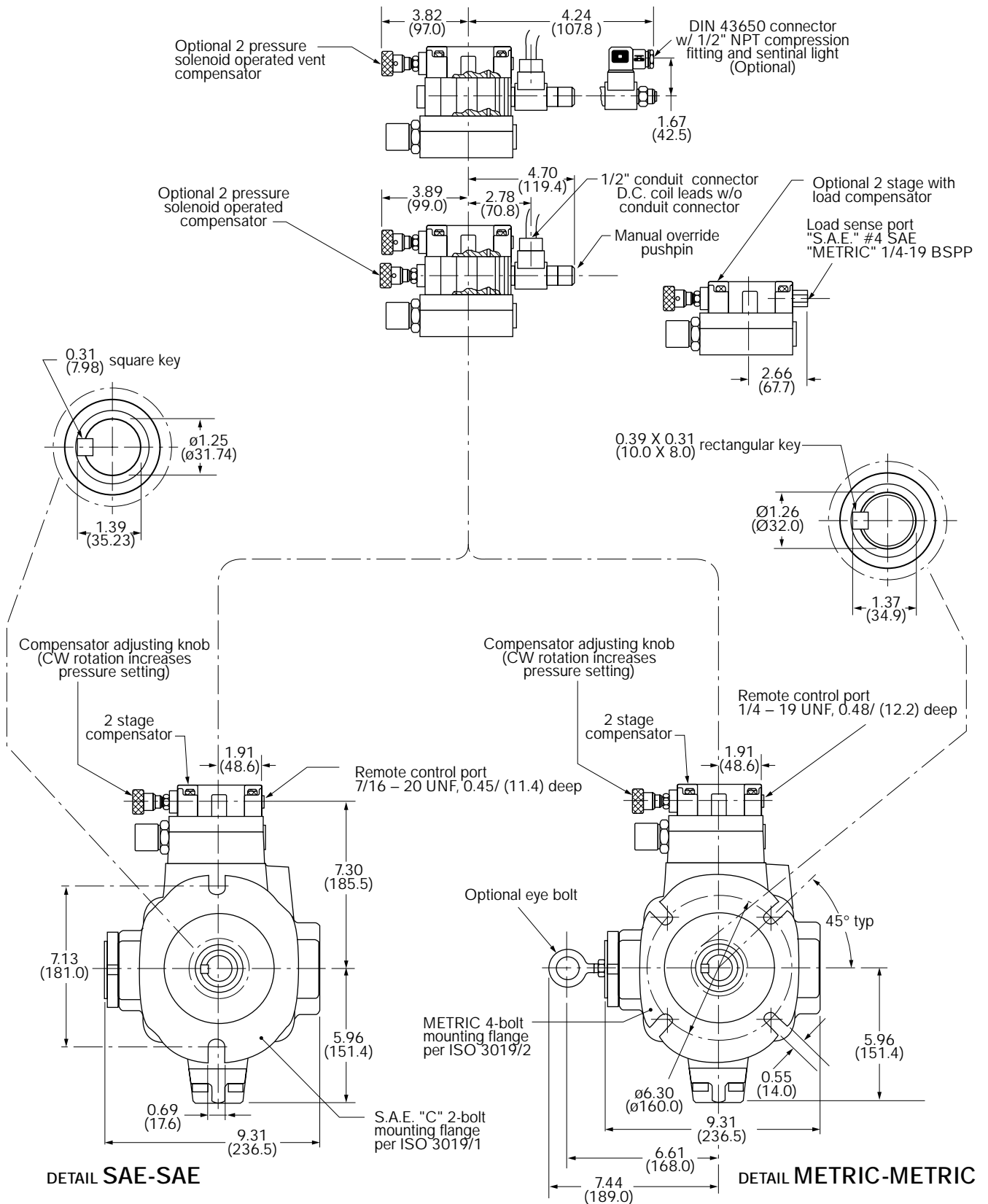
Detail METRIC1

View B-B  
(SH.1 @ H-2)

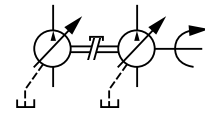
VPV 45/63/80 to VPV 45/63/80 (continued)



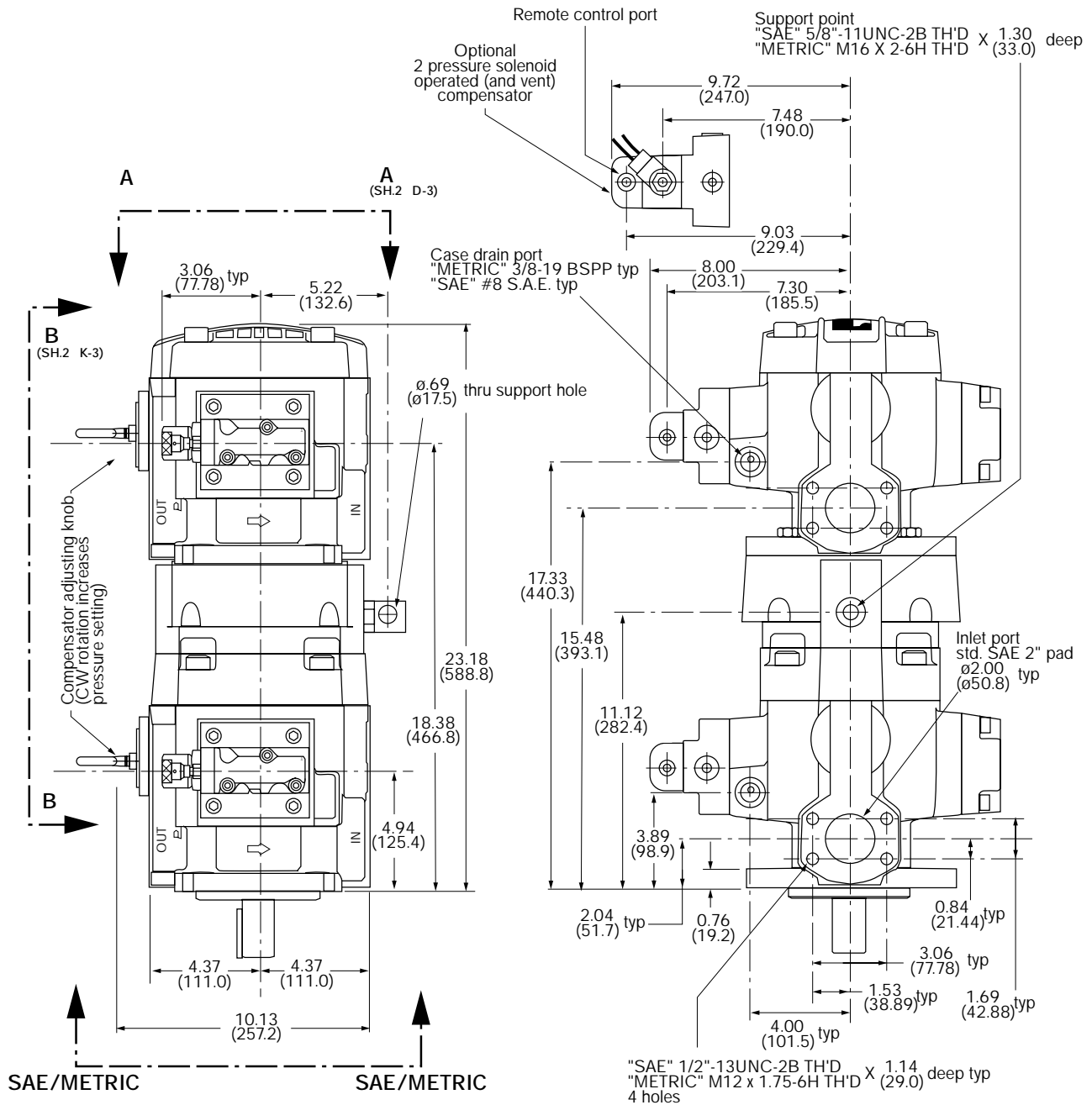
Inches (millimeters)



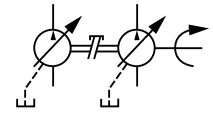
VPV 45/63/80 to VPV 45/63/80 (continued)



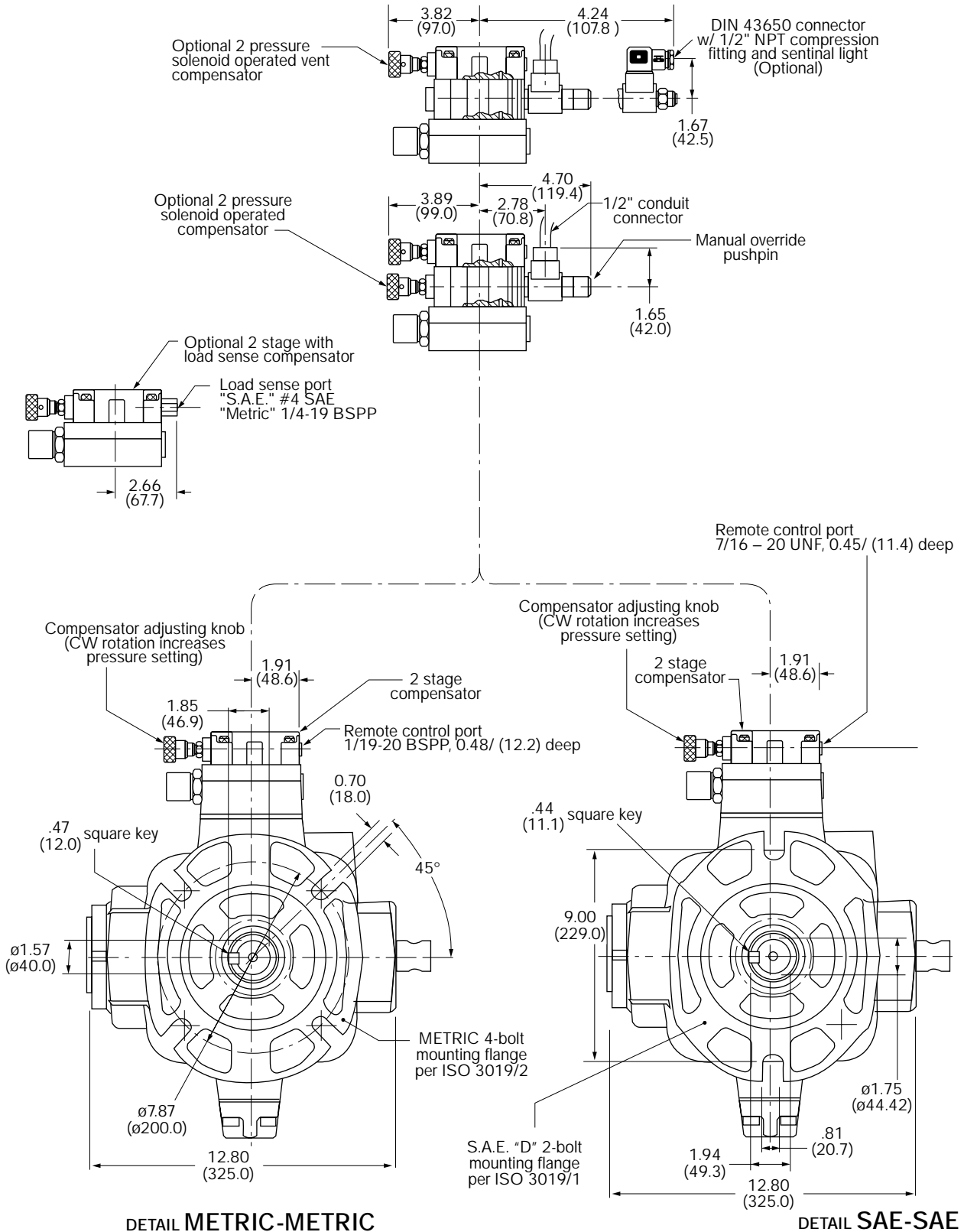
Inches (millimeters)



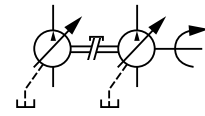
VPV 100/130/164 to VPV 100/130/164, S.A.E. & Metric Combination



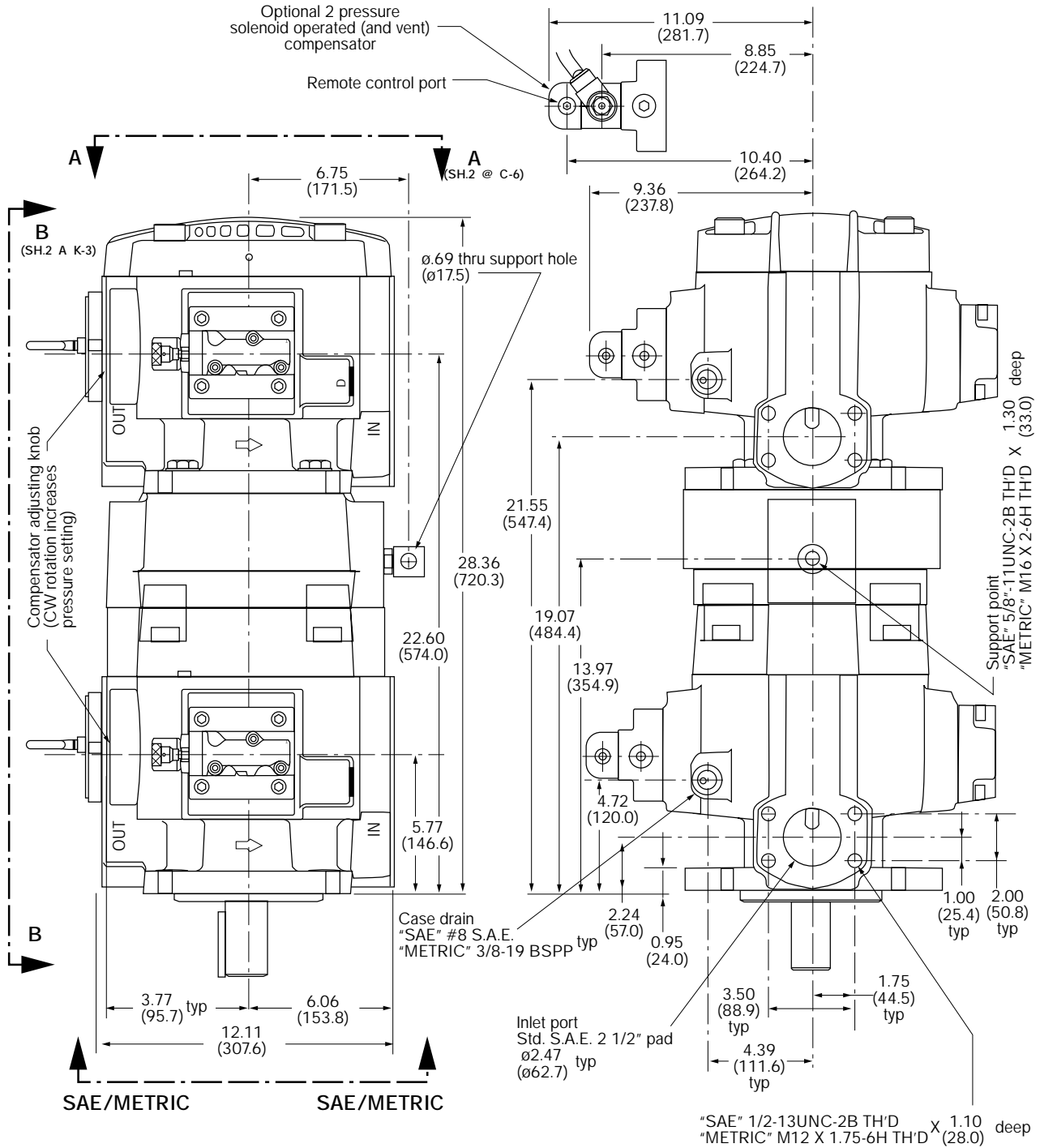
Inches (millimeters)



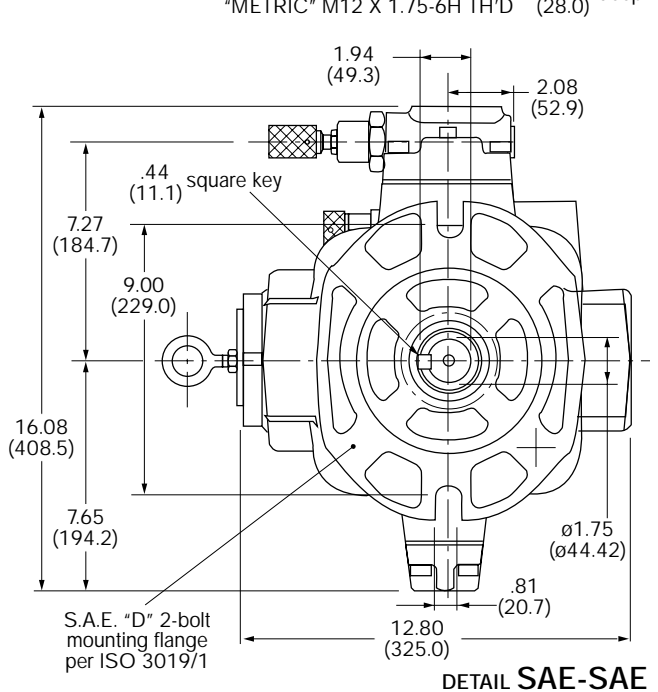
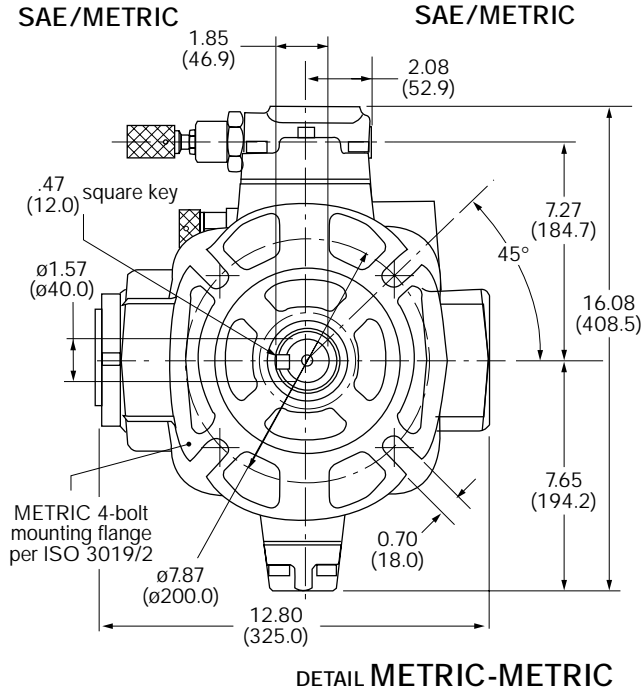
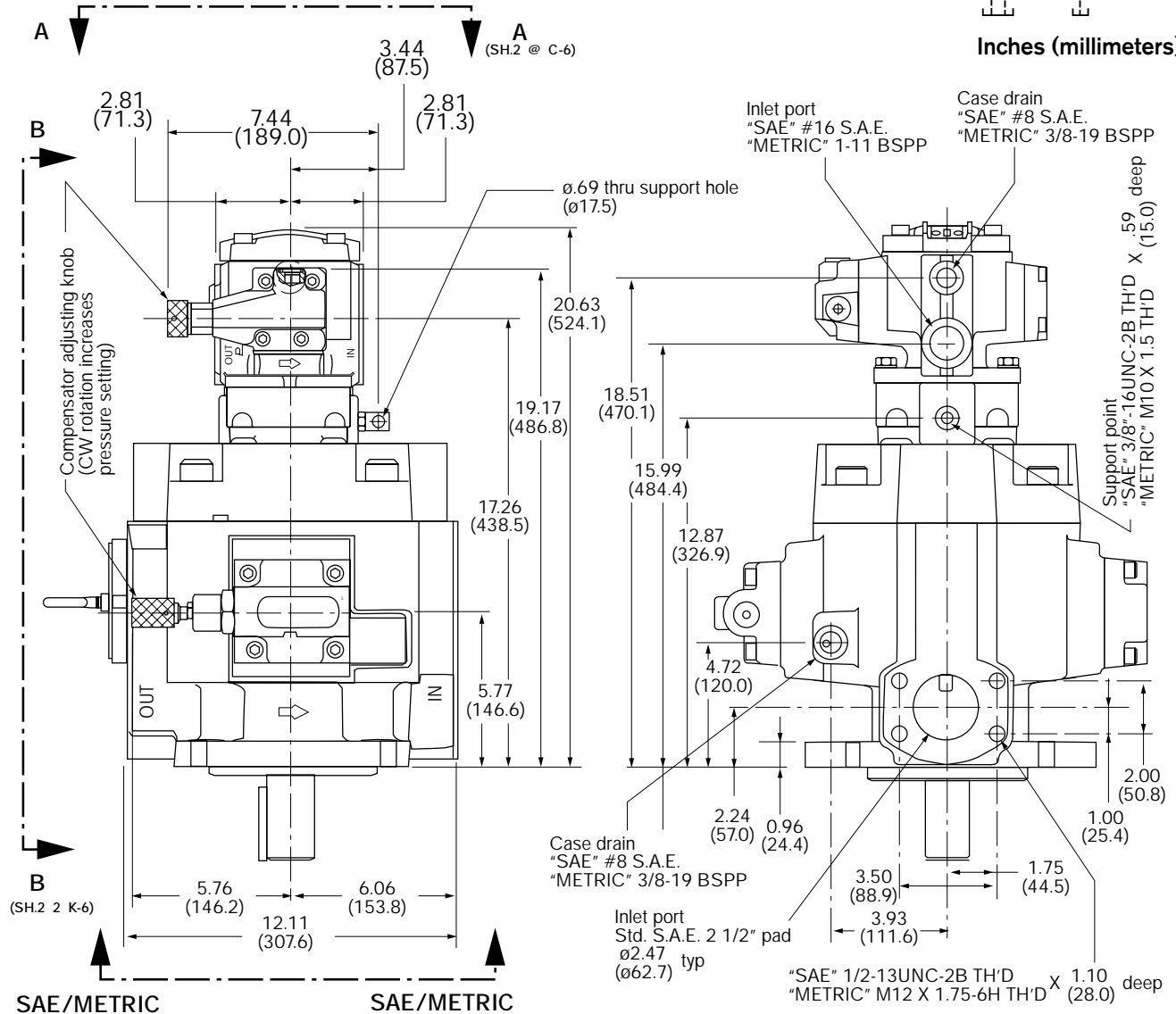
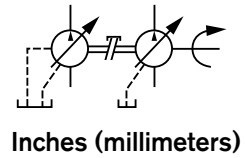
VPV 100/130/164 to VPV 100/130/164 (continued)



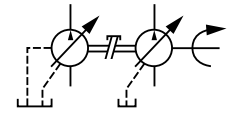
Inches (millimeters)



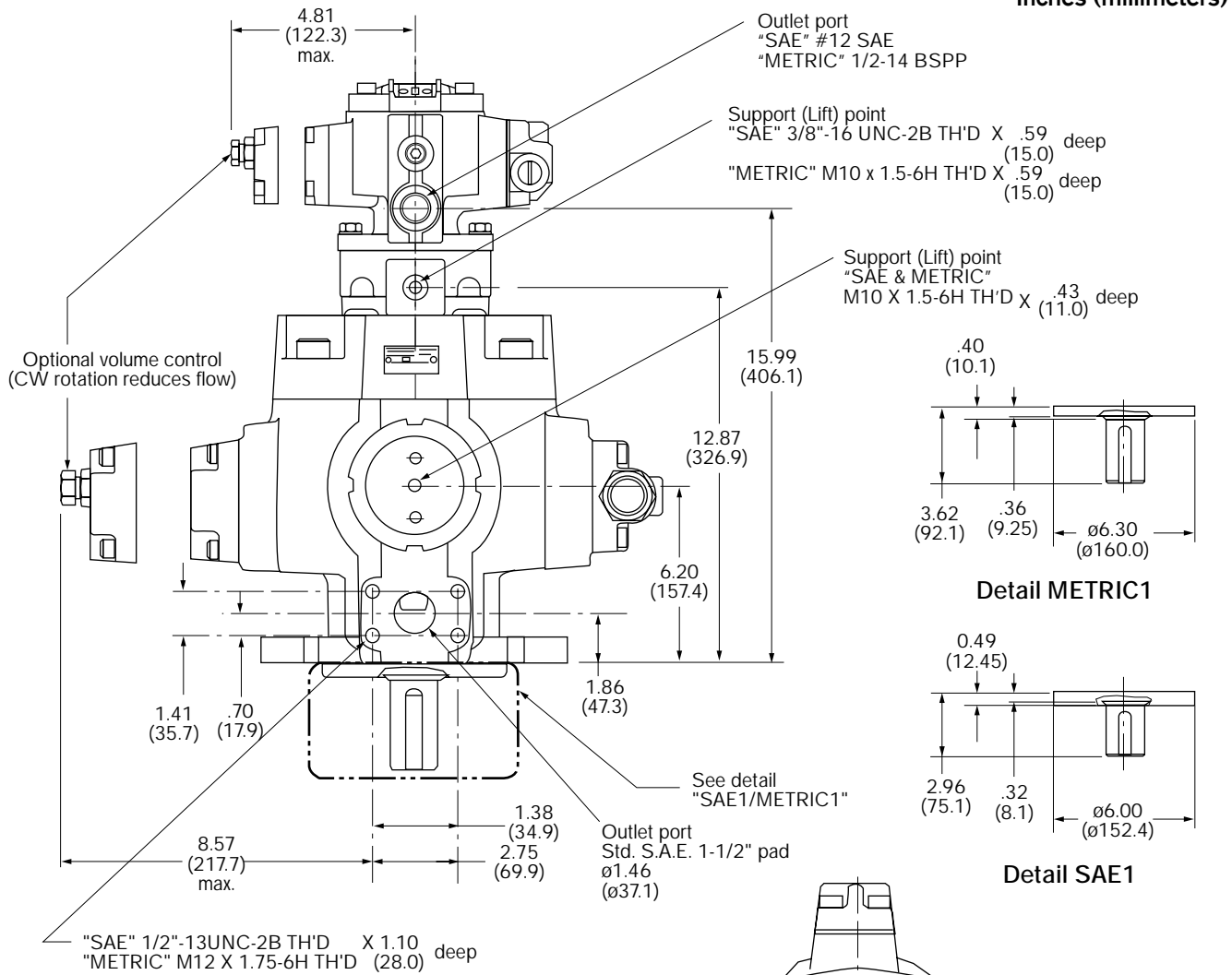
VPV 100/130/164 to VPV 16 S.A.E. & Metric Combination



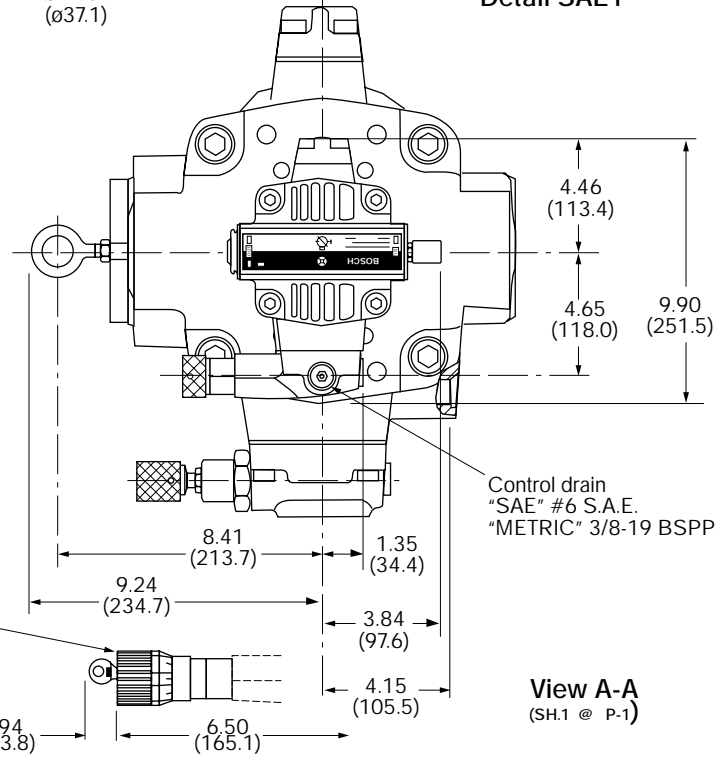
VPV 100/130/164 to VPV 16 (continued)



Inches (millimeters)

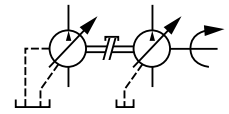


View B-B  
(SH.1 @ G-1)

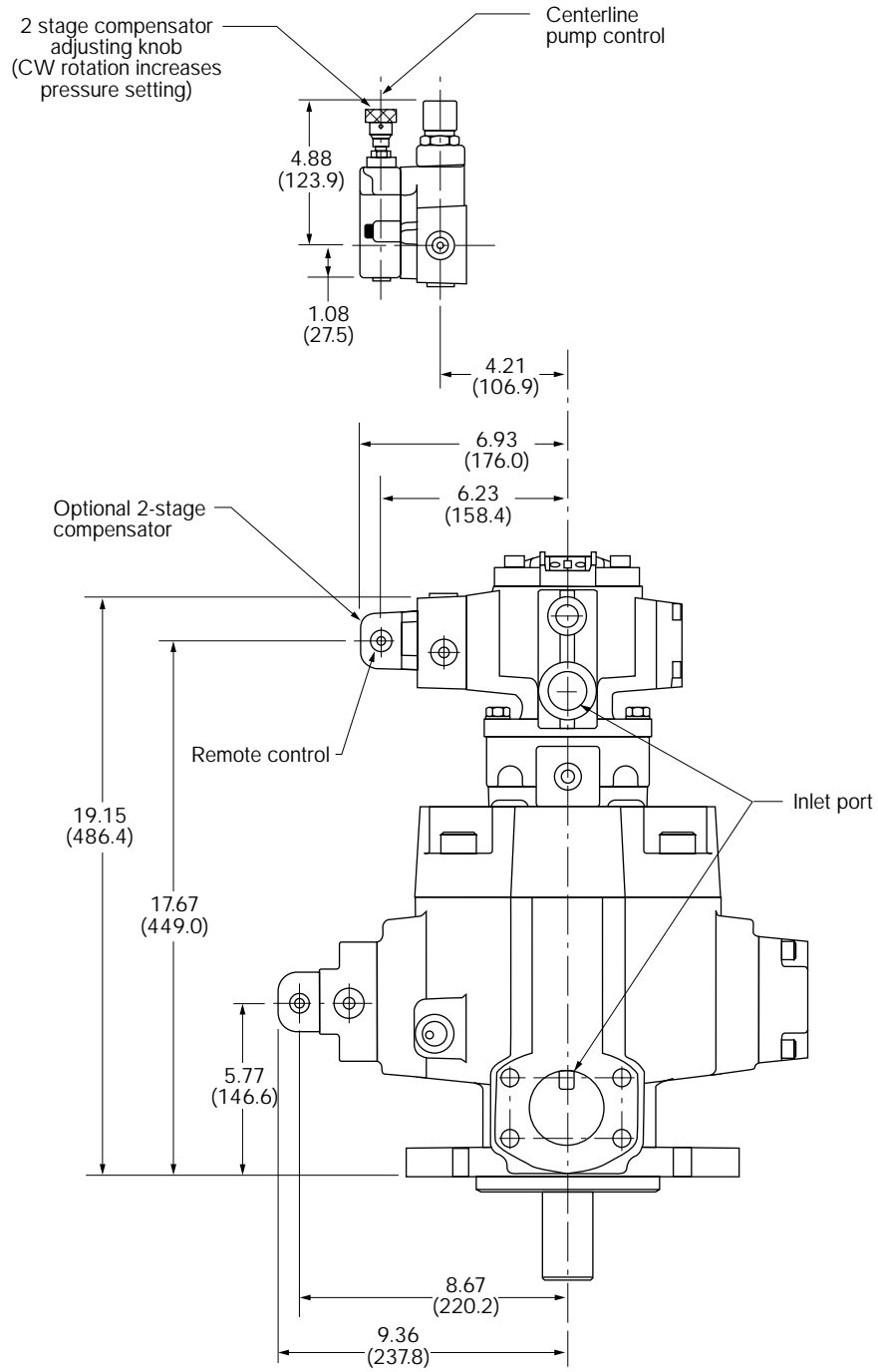


View A-A  
(SH.1 @ P-1)

VPV 100/130/164 to VPV 16 (continued)

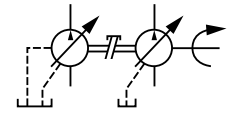


Inches (millimeters)

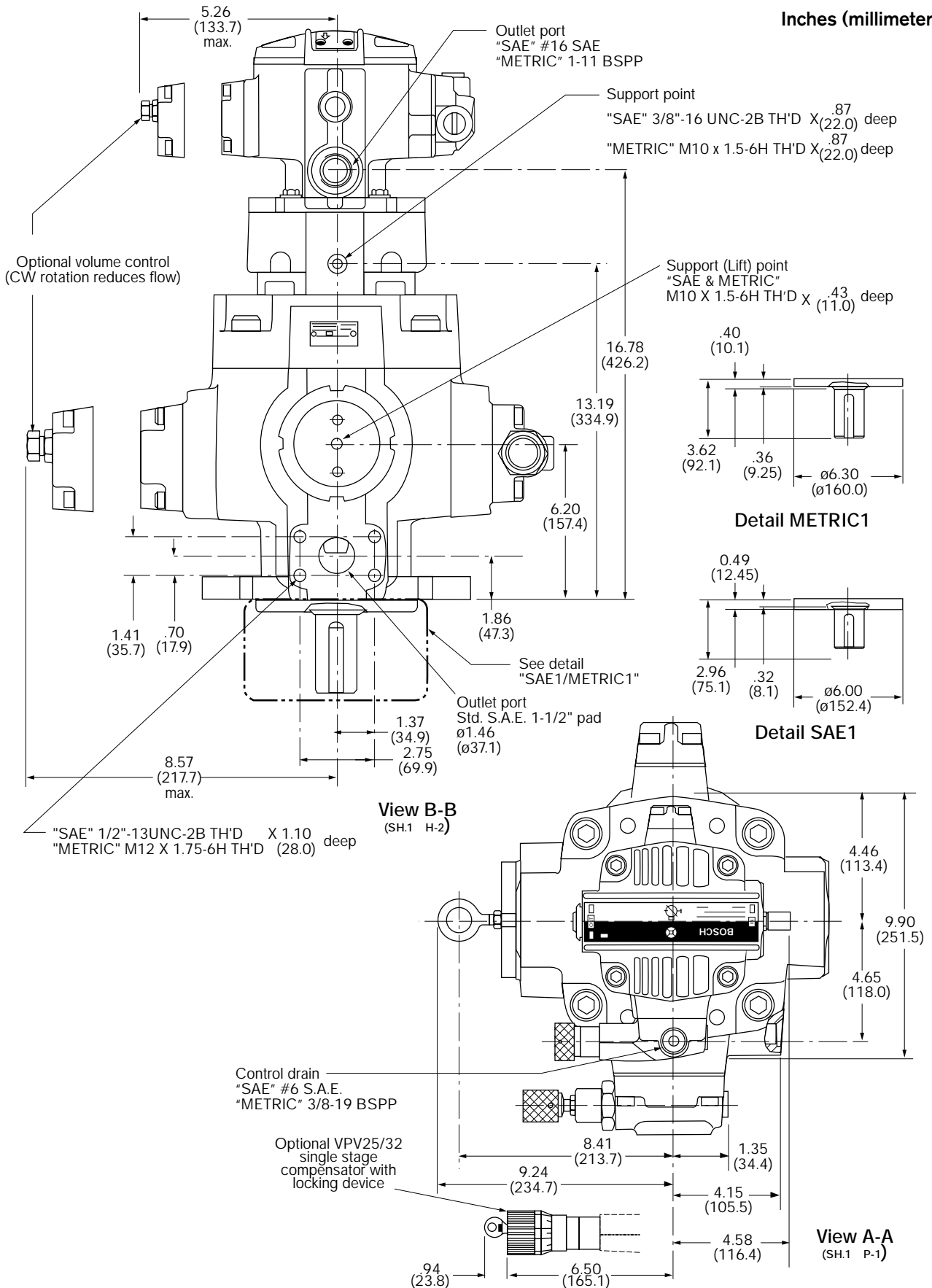




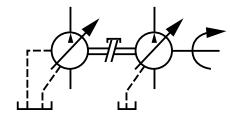
VPV 100/130/164 to VPV 25/32 (continued)



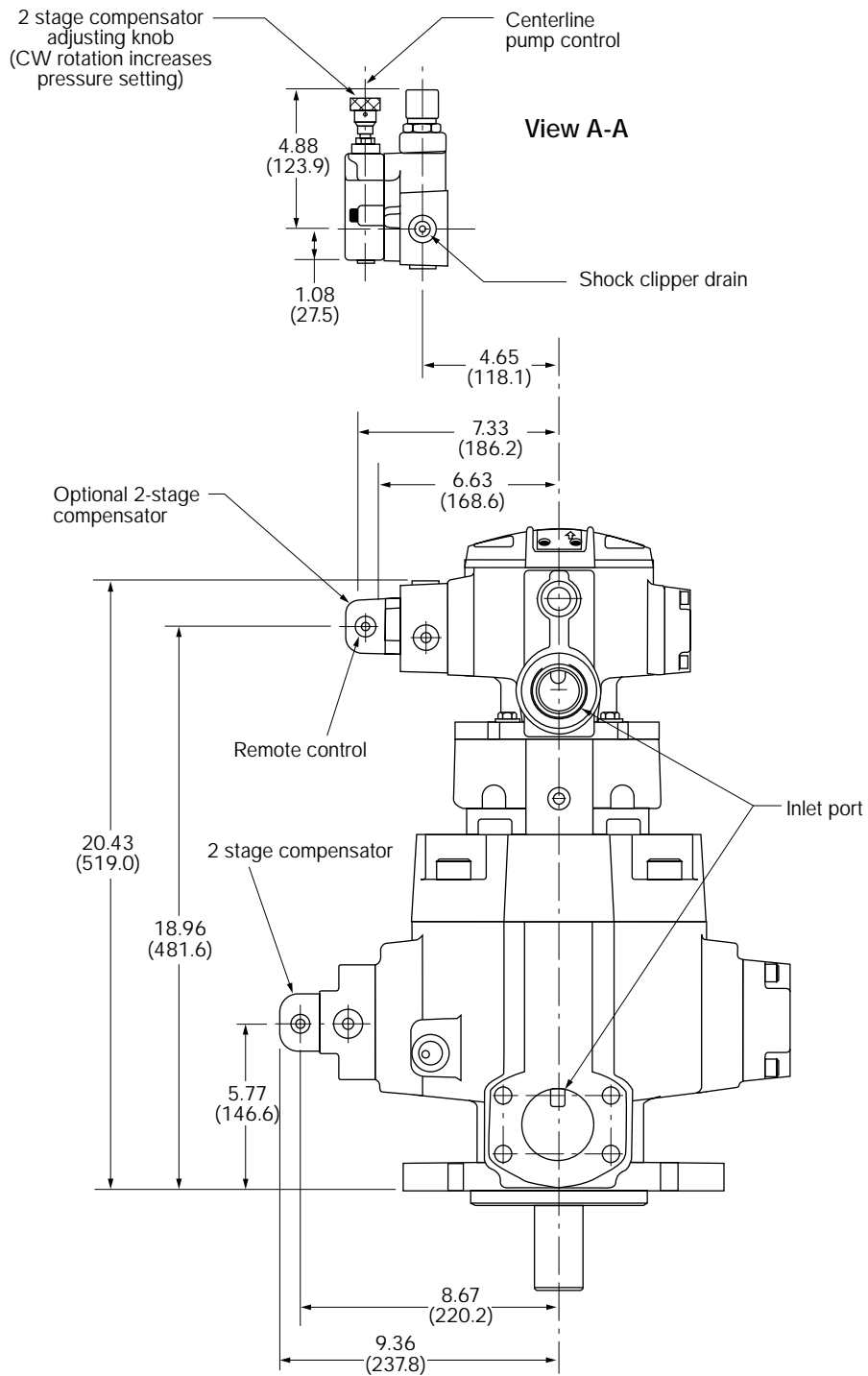
Inches (millimeters)



VPV 100/130/164 to VPV 25/32 (continued)

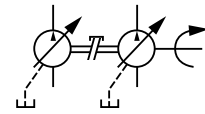


Inches (millimeters)

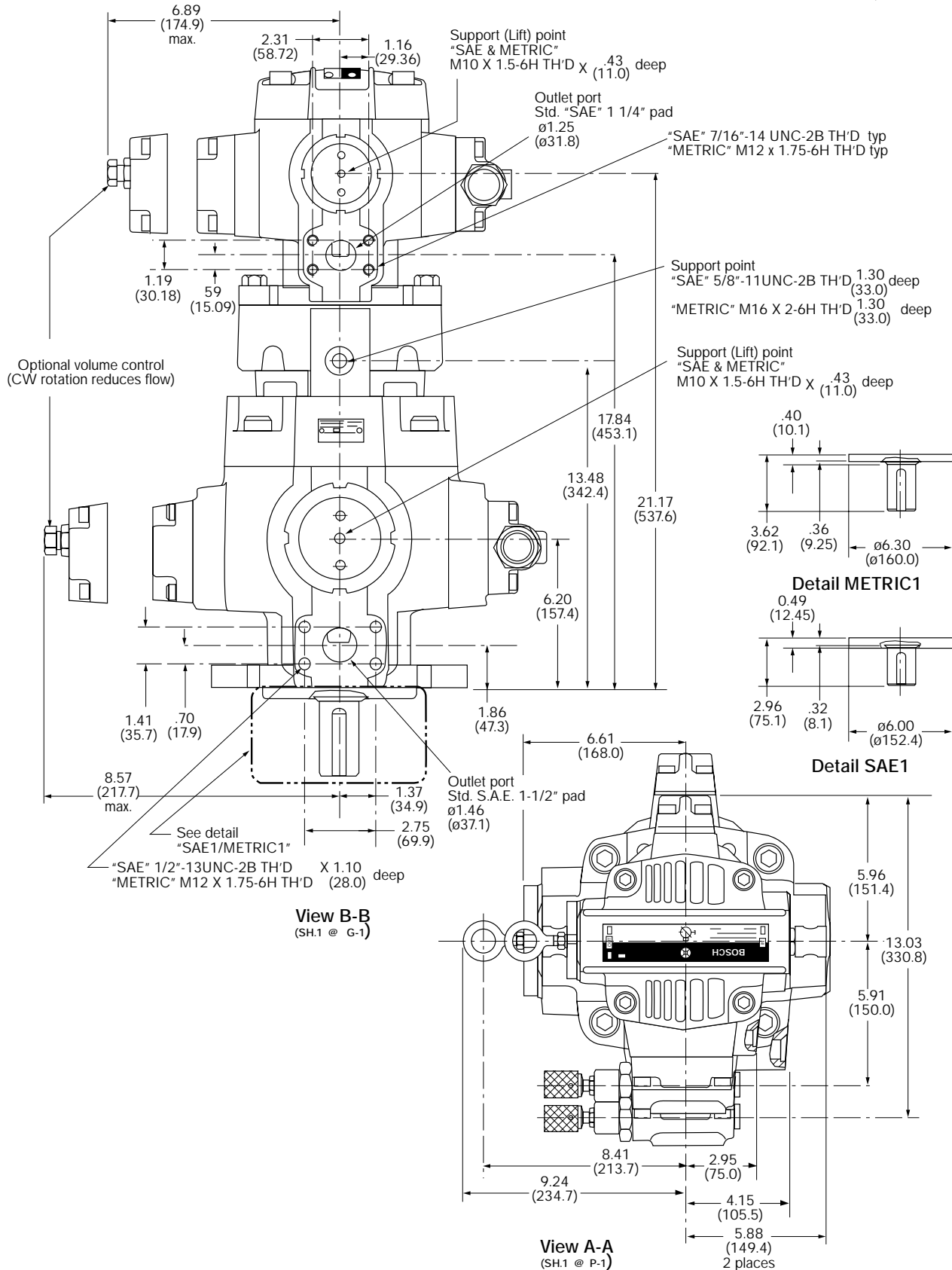




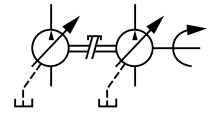
VPV 100/130/164 to VPV 45/63/80 (continued)



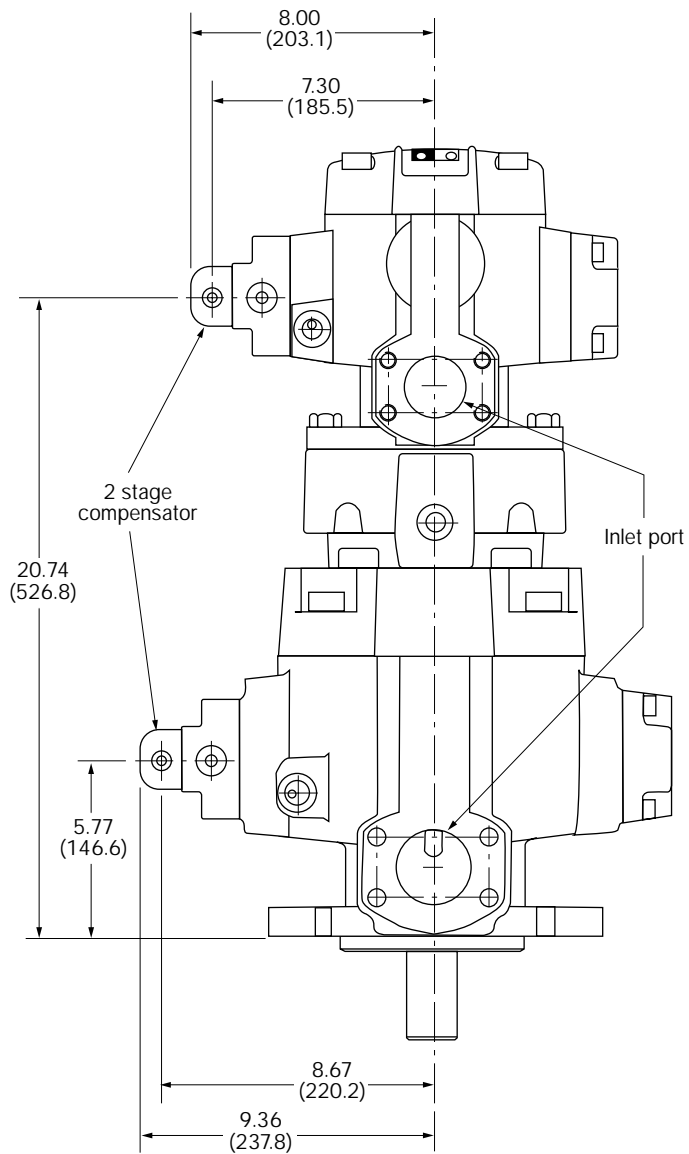
Inches (millimeters)

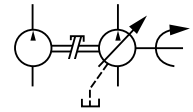


VPV 100/130/164 to VPV 45/63/80 (continued)

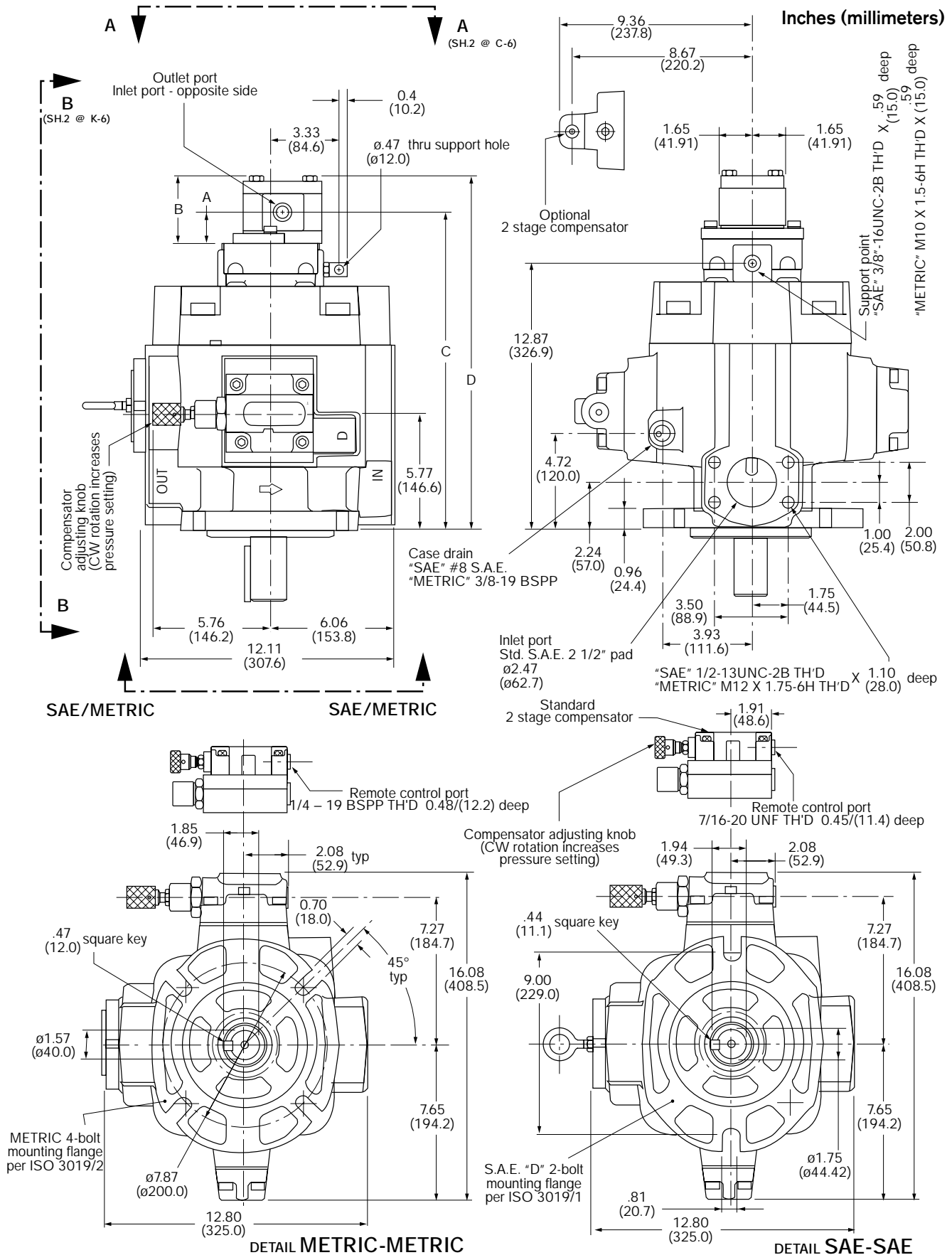


Inches (millimeters)

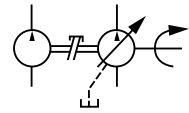




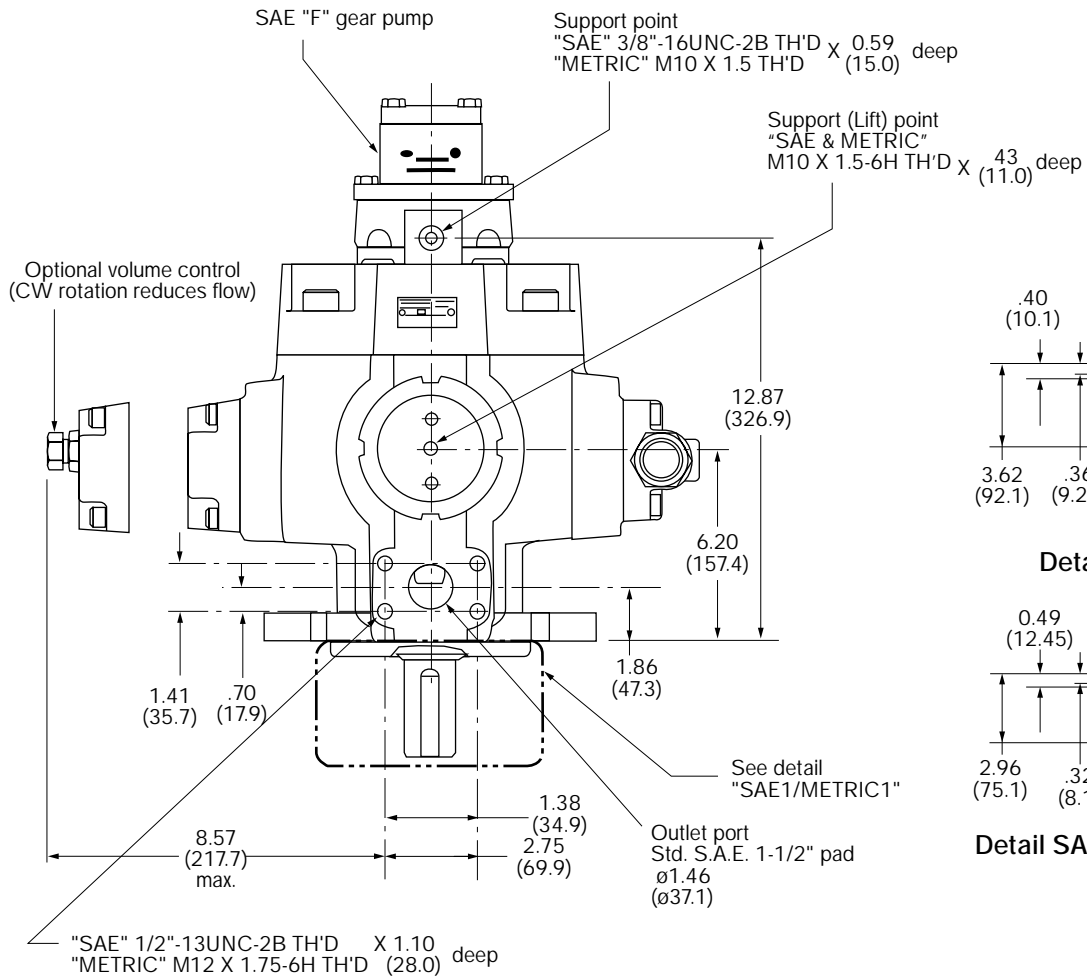
VPV 100/130/164 to an 'F' Gear pump, S.A.E. & Metric Combination



VPV 100/130/164 to an 'F' Gear pump (continued)

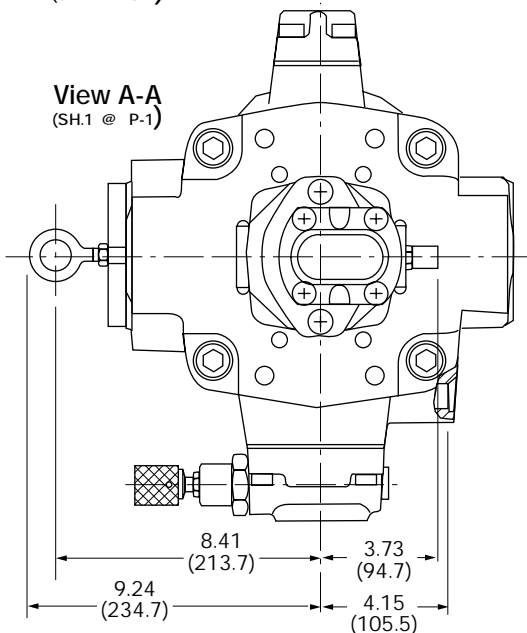


Inches (millimeters)



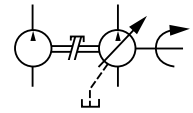
View B-B  
(SH.1 @ G-1)

View A-A  
(SH.1 @ P-1)

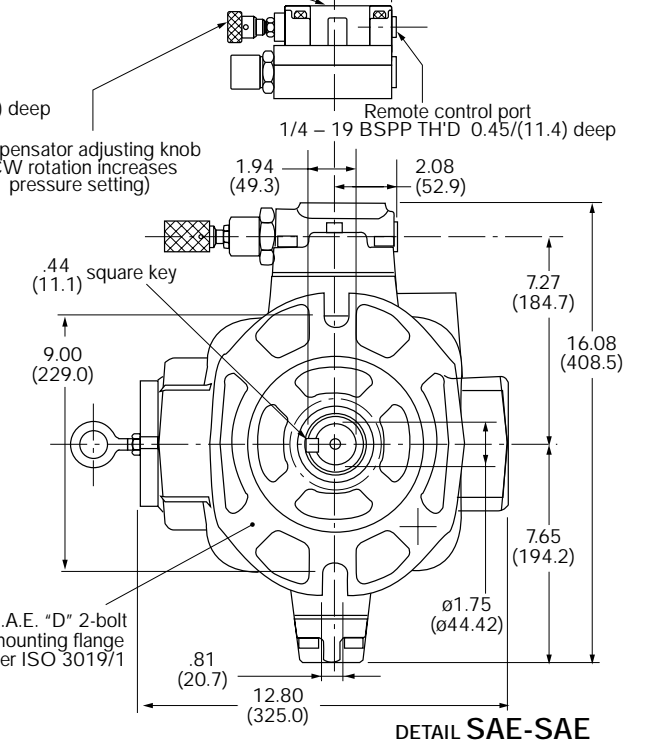
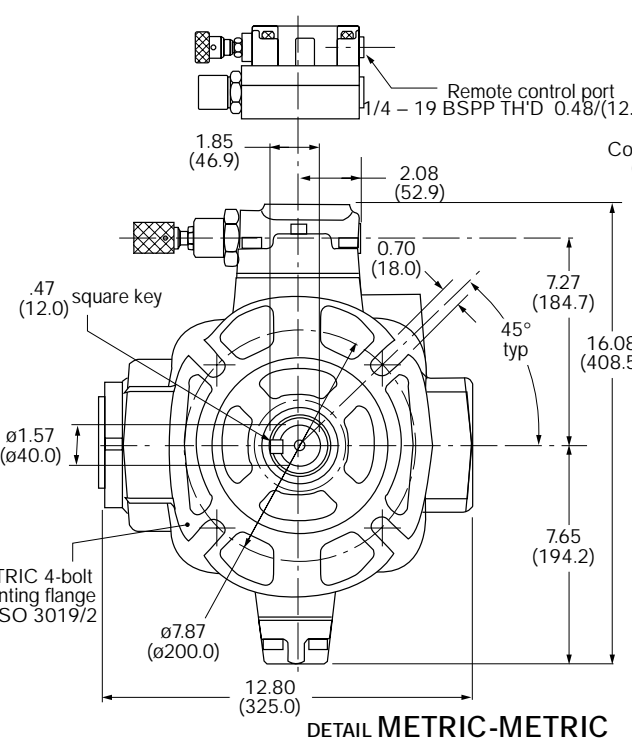
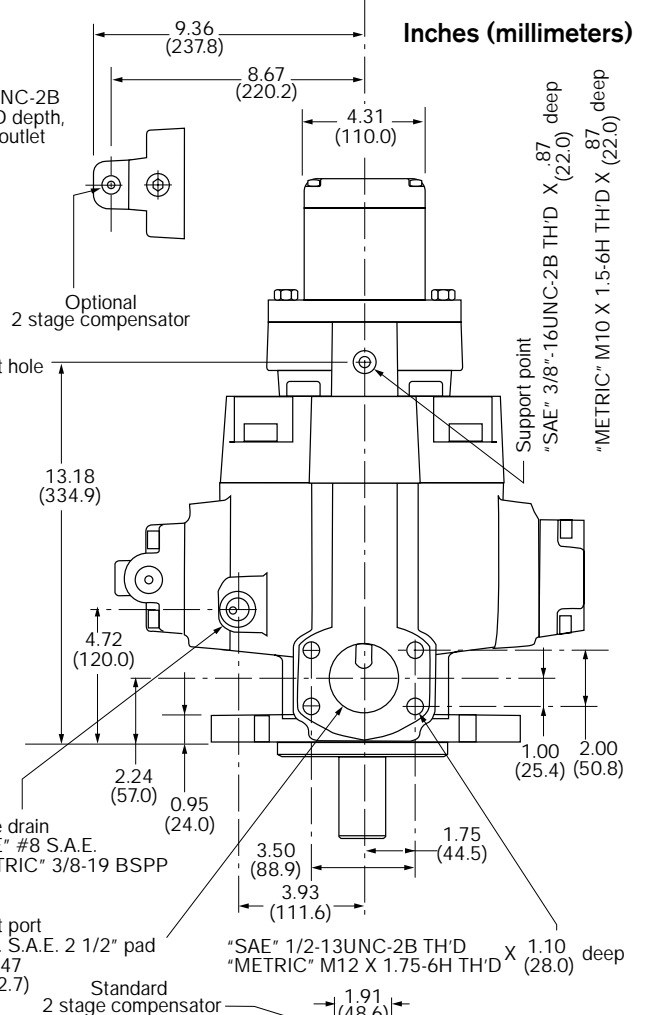
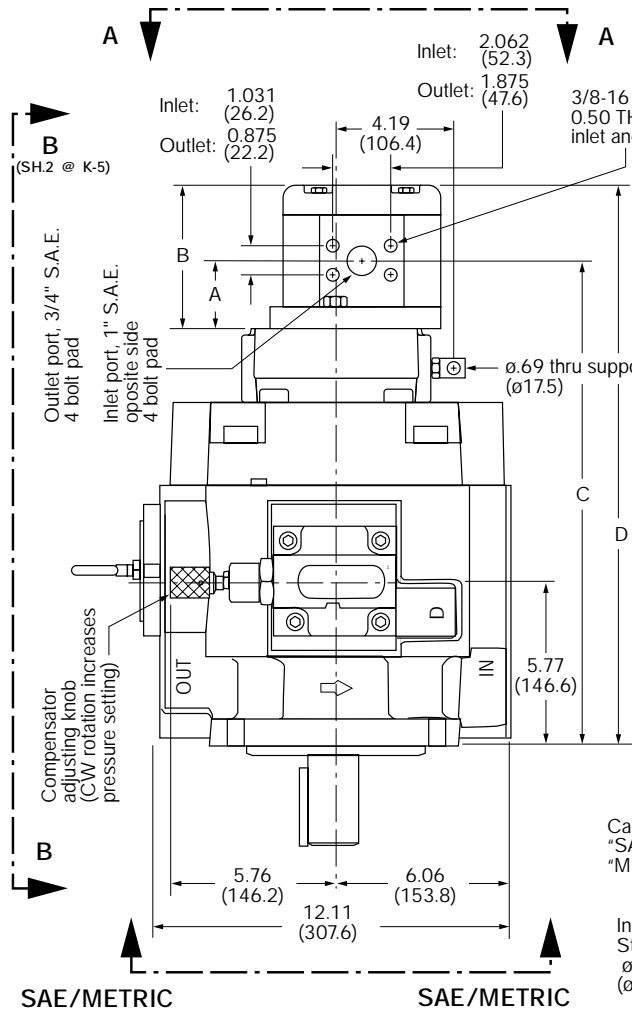


Gear pump Theoretical Displacement	Dimension				Gear Pump Port Sizes		Total Weight (Vane Pump & Gear Pump)
	A	B	C	D	Inlet	Outlet	
	in. (mm)	in. (mm)	in. (mm)	in. (mm)			
0.24 (4)	1.571 (39.9)	3.346 (85.0)	15.66 (397.8)	17.44 (443.2)	9/16-18 UNF	9/16-18 UNF	252 (114.3)
0.34 (5.5)	1.618 (41.1)	3.445 (87.5)	15.71 (399.0)	17.55 (445.8)	9/16-18 UNF	9/16-18 UNF	252.2 (114.4)
0.49 (8)	1.697 (43.2)	3.606 (91.6)	15.79 (401.0)	17.70 (449.6)	7/8-14 UNF	7/8-14 UNF	252.4 (114.5)
0.67 (11)	1.850 (47.0)	3.803 (96.6)	15.94 (404.9)	17.86 (453.3)	1-1/16-12 UN	7/8-14 UNF	252.6 (114.6)
0.85 (14)	1.870 (47.5)	4.0 (101.6)	15.96 (405.4)	18.05 (458.5)	1-1/16-12 UN	7/8-14 UNF	252.8 (114.7)
0.98 (16)	1.870 (47.6)	4.134 (105.0)	15.94 (404.8)	18.22 (463.0)	1-1/16-12 UN	7/8-14 UNF	252.9 (114.7)
1.16 (19)	1.870 (47.5)	4.330 (110.0)	15.96 (405.5)	18.42 (468.0)	1-1/16-12 UN	7/8-14 UNF	253.1 (114.8)
1.37 (22.5)	2.169 (55.1)	4.543 (115.4)	16.26 (41301)	18.63 (473.4)	1-1/16-12 UN	7/8-14 UNF	253.4 (114.9)

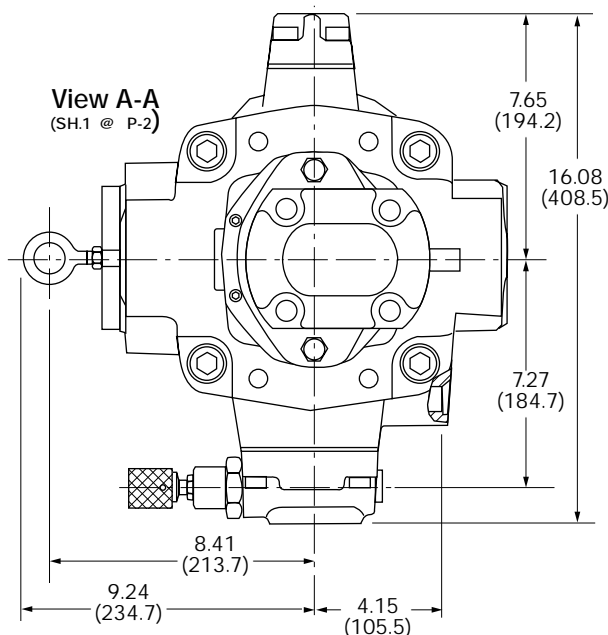
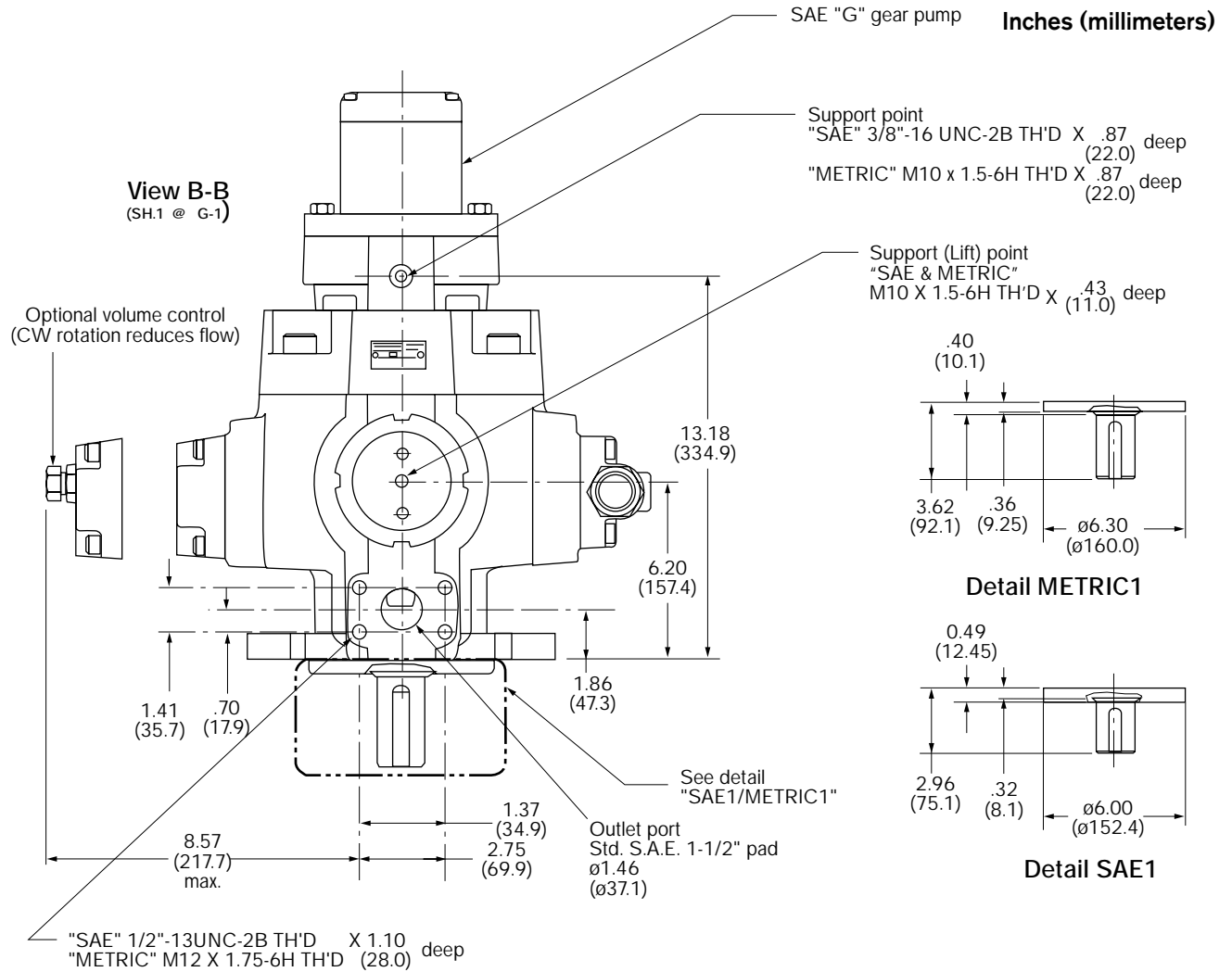
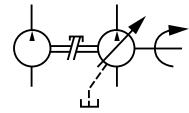
VPV100/130/164 to an 'F' Gear pump (continued)



Inches (millimeters)



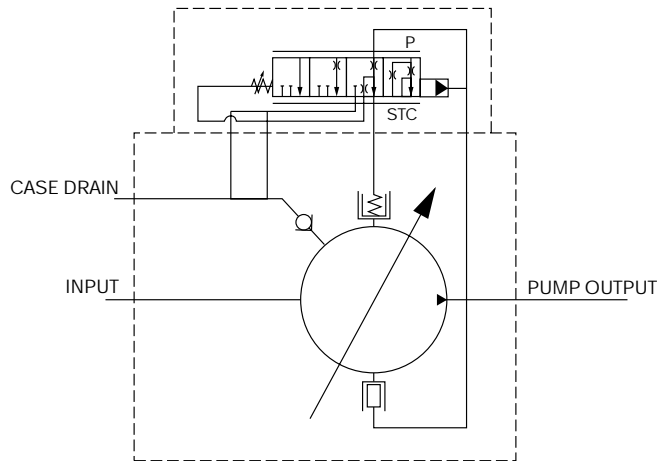
VPV 100/130/164 to an 'F' Gear pump (continued)



Gear pump Theoretical Displacement	Dimension				Gear Pump Port Sizes		Total Weight (Vane Pump & Gear Pump)
	A	B	C	D	Inlet	Outlet	
1.37 (22.5)	2.40 (61.0)	5.07 (128.5)	17.0 (430.8)	19.60 (498.4)	1" S.A.E. 4 bolt	3/4" S.A.E. 4 bolt	271.4 (123.1)
1.71 (28)	2.48 (63.0)	5.26 (133.7)	17.04 (432.8)	19.80 (503.0)	1" S.A.E. 4 bolt	3/4" S.A.E. 4 bolt	271.8 (123.3)
1.95 (32)	2.54 (64.5)	5.40 (137.2)	17.10 (434.4)	19.90 (506.6)	1" S.A.E. 4 bolt	3/4" S.A.E. 4 bolt	272.3 (123.5)
2.32 (38)	2.62 (66.5)	5.62 (142.6)	17.18 (436.4)	20.16 (512.1)	1" S.A.E. 4 bolt	3/4" S.A.E. 4 bolt	272.6 (123.6)
2.75 (45)	2.74 (69.5)	5.87 (149.2)	17.30 (439.4)	20.40 (518.5)	1" S.A.E. 4 bolt	3/4" S.A.E. 4 bolt	273.1 (123.9)
3.42 (56)	2.95 (75.2)	6.31 (160.2)	17.51 (444.8)	20.85 (529.7)	1" S.A.E. 4 bolt	3/4" S.A.E. 4 bolt	274.1 (124.3)

## VPV Controls

Schematics shown illustrate VPV 45–164 controls with shock clipper integrated and no exterior plumbing required. The case drain shows an integrated check valve not present in VPV 16, 25 and 32. All controls leave the factory pre-set at 500 PSI.

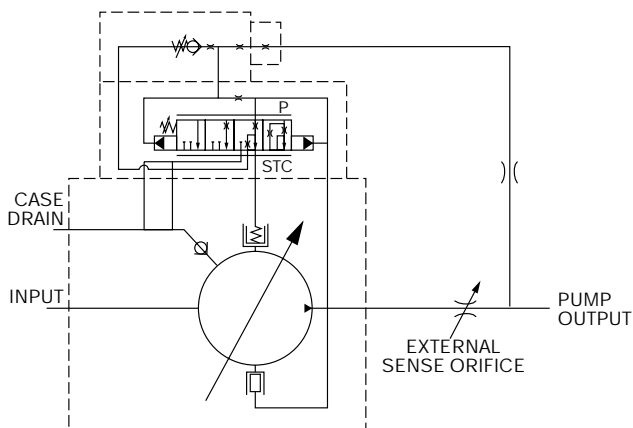
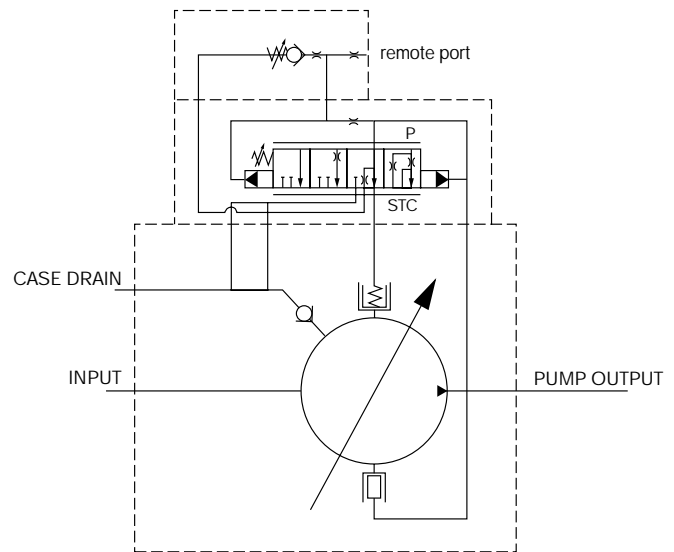


### Single Stage Compensator

The single stage control for normal pressure compensation is a good choice where speed is important and remote capability is not required. This control available on VPV 16, 25 and 32.

### Two Stage Compensator

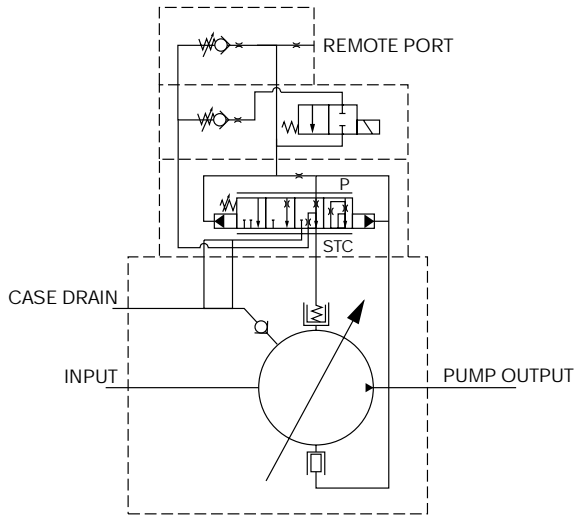
The two stage pressure compensators are the platform for most VPV controls. A remote port is standard and may, or may not be enabled according to the circuit design. This is the smoothest of the standard pressure controls, and is the standard pressure compensator for VPV 45–164.



### Load Sense Compensator

Load sense allows the user to maintain constant flow regardless of changes in load or in pump shaft rotational speed. The Whisper™ Pump load sense accomplishes this by using an external orifice and continually senses a pressure drop of 100 PSI across this orifice. The minimum  $\Delta P$  is 100 PSI, however the pressure drop can be adjusted to meet circuit requirements. Consult factory.

**VPV Controls (continued)**

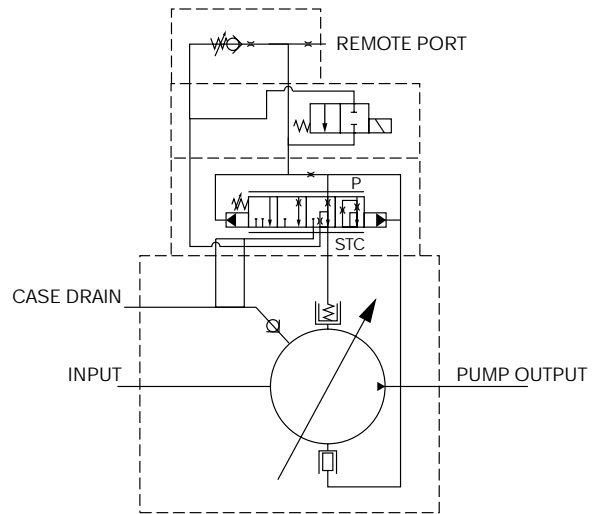


**Two Pressure Compensator**

Solenoid two-pressure compensators are available in normally open (normally low, energize to high) and normally closed (normally high, energize to low) versions. These two-pressure controls can greatly reduce horsepower demand and heat generation during periods of idle cycle time, or when the machine operating cycle does not require maximum pressure.

**Solenoid Vent Compensator**

Solenoid vented compensators are similar to the two-pressure controls, except that there is no adjustment possible. By venting the compensator the pump will go to minimum deadhead.



## Comparison of Sound Levels

Source of Sound	Intensity (dB)	
Threshold .....	0	
Rustling leaves.....	10	Barely audible
Broadcast studio.....	20	
Typical bedroom at night.....	30	Very quiet
Typical living room.....	40	
Office, classroom .....	50	← VPV16 @ 1200 rpm & 500 psi, deadhead (49 dB)
Normal conversation.....	60	Moderate
Automobile interior .....	70	
Urban street .....	80	← VPV130 @ 1800 rpm & 3000 psi, full flow (76 dB) Noisy
Heavy truck (15 m) .....	90	Very noisy
Shout (1.5 m) .....	100	
Construction site .....	110	
Loud rock music.....	120	Threshold of pain
Jet airplane.....	150	Intolerable
Rocket engine.....	180	

## Trouble Shooting for VPV “Whisper Pumps™”

Some of the most common difficulties that could be experienced in the field are listed here with potential causes and their remedies.

Trouble	Potential Cause	Remedy
<b>Excessive pump noise</b>	1) Coupling misalignment	1) Align the pump and motor shaft to within .006 of an inch total indicator reading. The tighter the alignment, the quieter the pump will be.
	2) The continuous pressure is significantly below 200 psi for 140 bar pumps, or 300 psi for 210 bar pumps.	2) The pumps have been sound tuned at rated pressure. Consult factory or raise minimum pressure 200 psi for single stage compensators in 2000 psi rated pumps, or 300 psi for 3000 psi rated pumps.
	3) Fluid in the reservoir is low and the pump is sucking air.	3) Fill the reservoir so that the fluid level is well above the end of the suction line <b>during all of the working cycle</b> .
	4) Restricted inlet.	4) If a suction strainer is used, check it for obstructions or dirt. <b>We do not recommend the use of strainers as they tend to be a leading cause of cavitation which manifests as excessive noise.</b> Check also for shop rags left in the reservoir.
	5) Air leak in the suction line.	5) Tighten all fittings. If it still leaks, smear grease over the joints to locate the leak.
	6) Suction line has too many elbows, or is too long.	6) The suction line should be as short and as straight as possible to reduce the resistance to flow.
	7) Air in the fluid.	7) The return line should terminate below the fluid level to prevent splashing.
	8) Suction line is too small.	8) Suction line should always be equal in size to the suction port. <b>Never</b> reduce it.
	9) Vane does not move freely.	9) Contamination in the fluid or a burr in the vane slot can cause a vane to bind up. Proper filtration and/or deburring of the vane slots is required.
	10) Vane is installed incorrectly.	10) In vane pumps built up to and including SV series 62 and VPV series 00 and A02, vanes must be mounted with the rounded edge toward the ring. In SV series 72 and VPV series B01 and later, the leading edge of the vanes must be oriented in the direction of rotation. The leading edge is identified as the low side of the vane taper.
	11) A vane is missing.	11) Make sure all vane slots have a vane in them.
	12) Port plates installed incorrectly.	12) Plates must be installed so that the arrows point in the same direction as the rotational arrows on the pump body. Port plates with ratio valves may not be installed in pump bodies prior to series 74, and VPV series B01. VPV series B01 requires the use of port plates with ratio valves for 45cc and larger pumps.
<b>Pump will not prime</b>	1) Shaft rotation in the wrong direction.	1) When installing a pump, always jog the electric motor to check for proper shaft rotation. Rotation should only be clockwise (right hand) for VPV pumps.
	2) Air leak in the suction line.	2) Make sure all fittings are tight.
	3) Pump is air bound.	3) Use an air bleed valve to void the pump and suction line of air.
	4) Fluid level in the reservoir is too low.	4) Fill the reservoir so that the fluid level is well above the end of the suction line.
	5) Stroke limiter is turned in too far.	5) Flow should not be reduced more than 50% of maximum. Turn CW to restrict flow, (see page 80).
	6) Suction port dust plug left in place.	6) Remove plug.
<b>Pump is unstable</b>	1) Contamination in the compensator.	1) Thoroughly clean the control orifices and check filtration.
	2) Pressure ring is not moving properly.	2) Control piston should be checked for freedom of movement.
<b>Pump is too hot</b>	1) Case drain line is installed too close to the pump inlet line.	1) The case drain and pump inlet should be separated by a baffle in the reservoir.
	2) Reservoir is undersized. Rule of thumb is a minimum or 2 to 3 times pump output flow.	2) Add a cooler.



### Through Drive Horsepower Limitations

The VPV pumps can be coupled with other VPV pumps, Bosch Rexroth gear pumps or other pumps with standard SAE or metric mounting patterns. (VPV pumps can be coupled without losing use of stroke limiter.) VPV combination pumps are rated to carry the load of an additional pump(s) equal to the maximum load the lead VPV pump can generate (see chart).

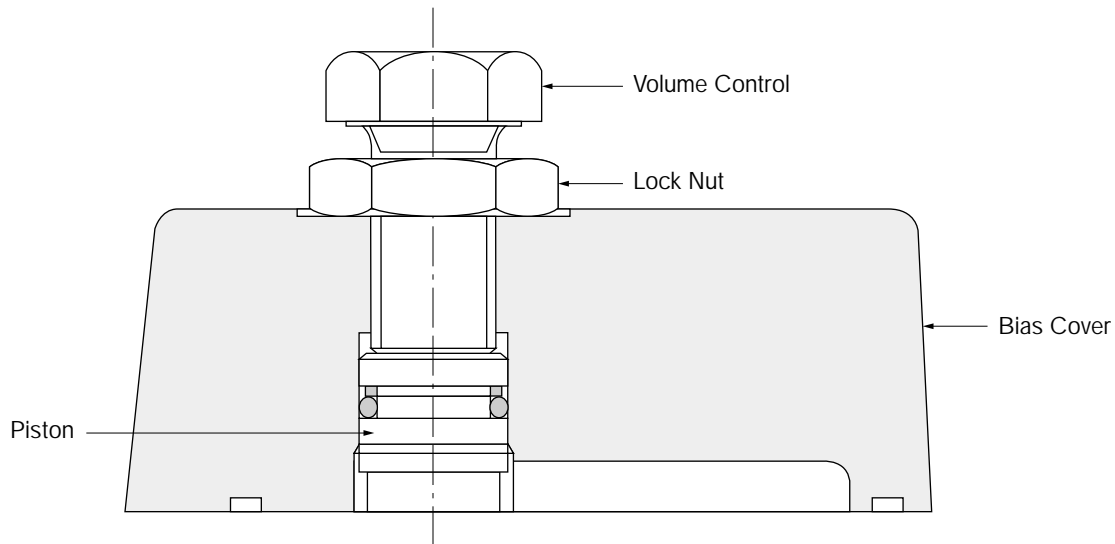
Pump	Flow @ 1750 RPM (gpm)	Maximum Pressure (psig)	Pump #1 Input Horsepower	Maximum Input Power for other pumps
VPV 16	8.03	3000	17.6	17.6
VPV 25	12.6	3000	25.3	25.3
VPV 32	15.4	3000	30.7	30.7
VPV 45	21.8	3000	43.3	43.3
VPV 63	29.6	3000	58.5	58.5
VPV 80	37.2	3000	74.6	74.6
VPV 100	46.2	3000	88.8	88.8
VPV 130	60.0	3000	117.6	117.6
VPV 164	75.8	3000	156.5	156.5

### EXAMPLES:

VPV 100 @ 3045 psig + VPV 63 @ 3045 psig + VPV 25 @ 3045 psig  
88.8 hp 58.5 hp + 23.3 hp

VPV 116 @ 3045 psig + VPV 16 @ 1500 psig + VPV 16 @ 1500 psig  
17.6 hp 8.7 hp + 8.7 hp

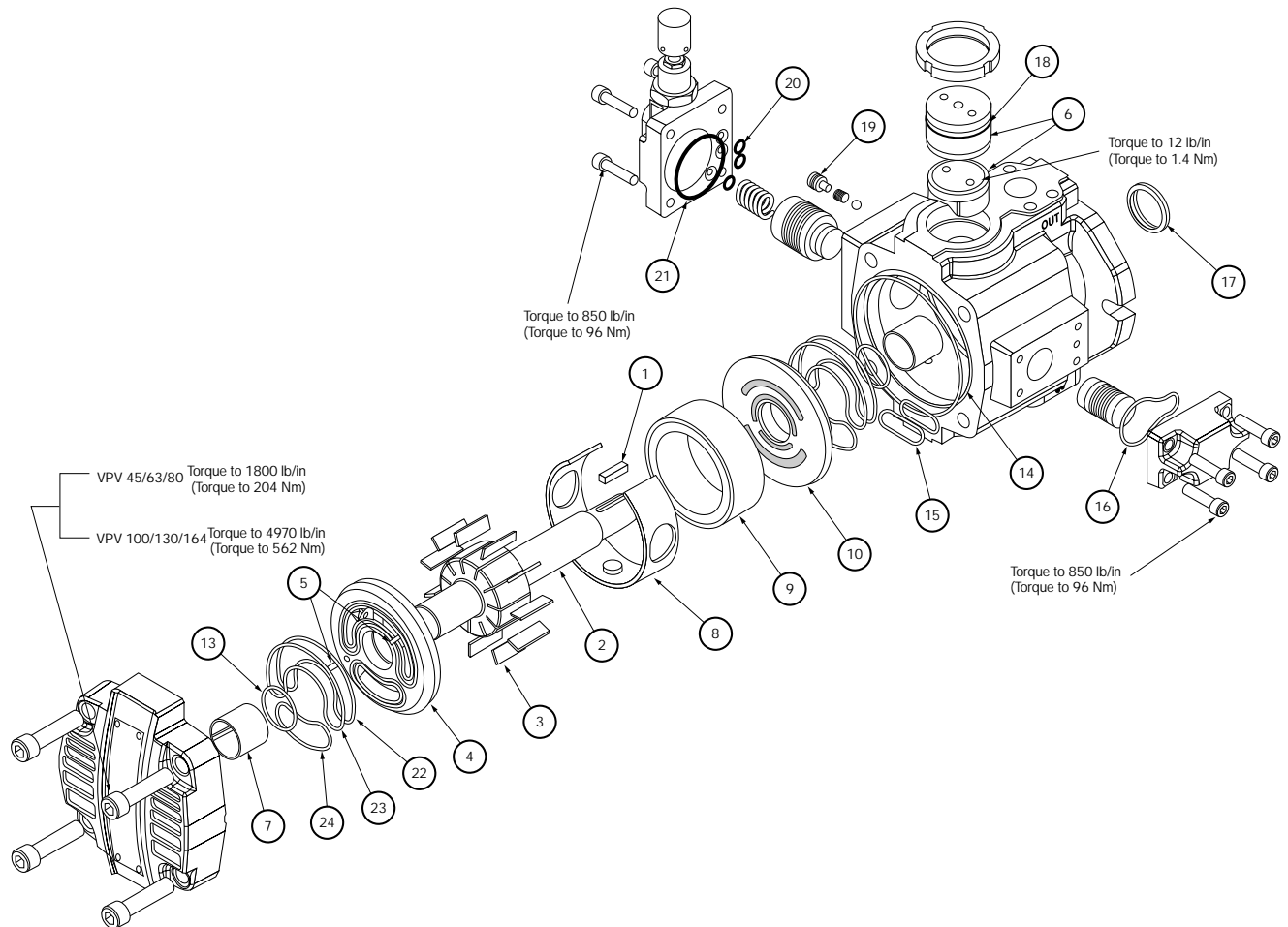
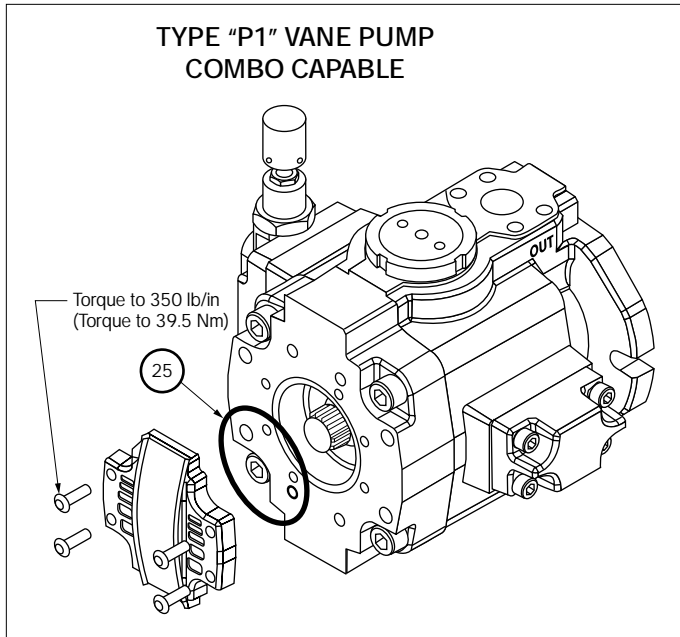
## VPV Stroke Limiter Adjustment



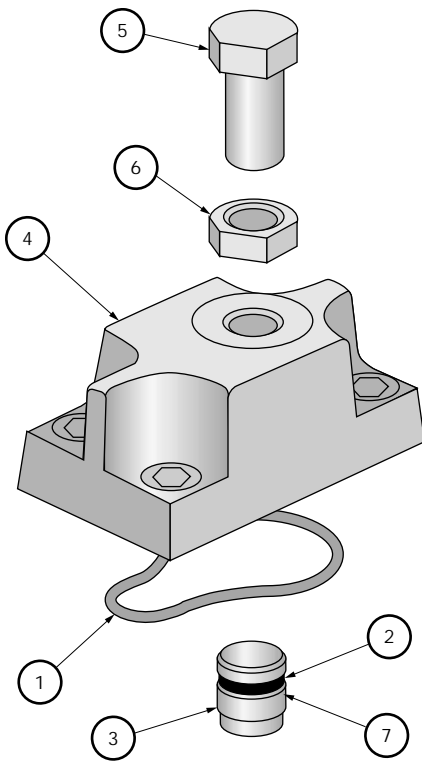
Pump Model	Nominal Stroke	Decrease in Flow Per Turn	Minimum Flow Attainable
VPV 16	1.9 mm (0.075")	53%	<0%
VPV 25	2.0 mm (0.080")	50%	0%
VPV 32	2.5 mm (0.099")	40%	20%
VPV 45	1.9 mm (0.077")	80%	<0%
VPV 63	2.7 mm (0.106")	56%	8%
VPV 80	3.4 mm (0.132")	44%	26%
VPV 100	3.0 mm (0.117")	50%	17%
VPV 130	3.8 mm (0.150")	40%	34%
VPV 164	4.7 mm (0.186")	32%	47%

- During initial start-up, volume should be at least 50% of maximum flow.
- Only make adjustments to volume control with pump running at full flow and low pressure while observing output flow.

### 3000 PSI Cutaway – VPV 45 – 164



## 3000 PSI Repair Parts – VPV 16/25/32



Volume Control Assembly		
9 537 232 004		
Volume control kits consist of:		
Ref	Description	Quantity
1	Square cut seal ring	1
2	Back up ring	1
3	Piston	1
4	Body	1
5	Adjusting screw	1
6	Jam nut	1
7	O-ring (-011/75)	1

Seal Kits*	
Size	SAE/Metric
16	9 511 230 605
25/32	9 511 230 597
Viton seal kits consist of:	
Description, VPV16/(VPV25/32)	Quantity
O-ring, ASA-111 / (ASA-111)	1
O-ring, ASA-110 / (ASA-110)	1
O-ring, ASA-127 / (ASA-136)	2
O-ring, ASA-128 / (ASA-128)	1
O-ring, ASA-026 / (ASA-028)	2
O-ring, ASA-151 / (ASA-152)	2
O-ring, ASA-031 / (ASA-031)	1
O-ring, ASA-156 / (ASA-160)	1
Back up ring	2
Shaft seal	1
O-ring, ASA-011	1
Back up ring	1

All o-rings durometer rating  $\geq 75$ )

\*Not for use on water glycol fluids (includes seal kit).

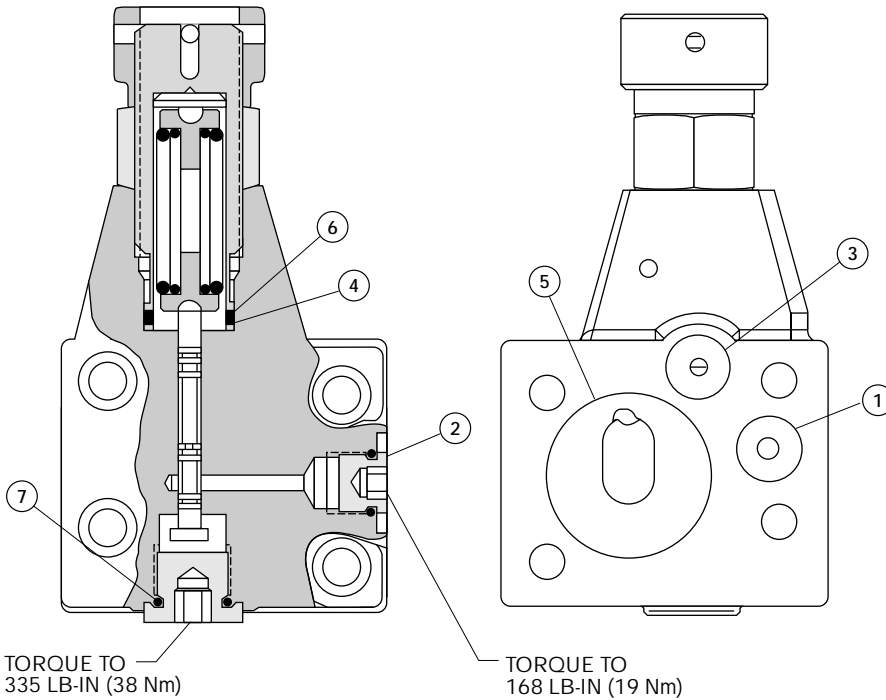
Repair Kits				
Size	SAE	Metric	SAE "P1"	Metric "P1"
16	R978711812	R978711813	R978711814	R978711815
25	R978711809	R978711810	R978711825	R978711824
32	R978711809	R978711810	R978711825	R978711824

Repair kits consists of:	
Description	Quantity
Key	1
Rotor shaft	1
Vane kit	1
Port plate, cover side	1
Roll pin	4
Thrust screw kit	1
Bearing	2
Spacer ring	1
Pressure ring	1
Port plate, body side	1
Seal Kit	1

**3000 PSI Repair Parts – VPV 16/25/32**

**ATTENTION:** These compensators are rated for 210 bar (3000 psi) operation. Install only on pumps rated at 210 bar (3000 psi). Activating shock clipper is highly recommended on all applications greater than 140 bar (2000 psi). Install unrestricted line back to tank.

**SINGLE STAGE COMPENSATOR**



COMPLETE ASSEMBLY FOR SINGLE STAGE COMPENSATOR	
SAE	9 511 230 595
METRIC	9 511 230 596

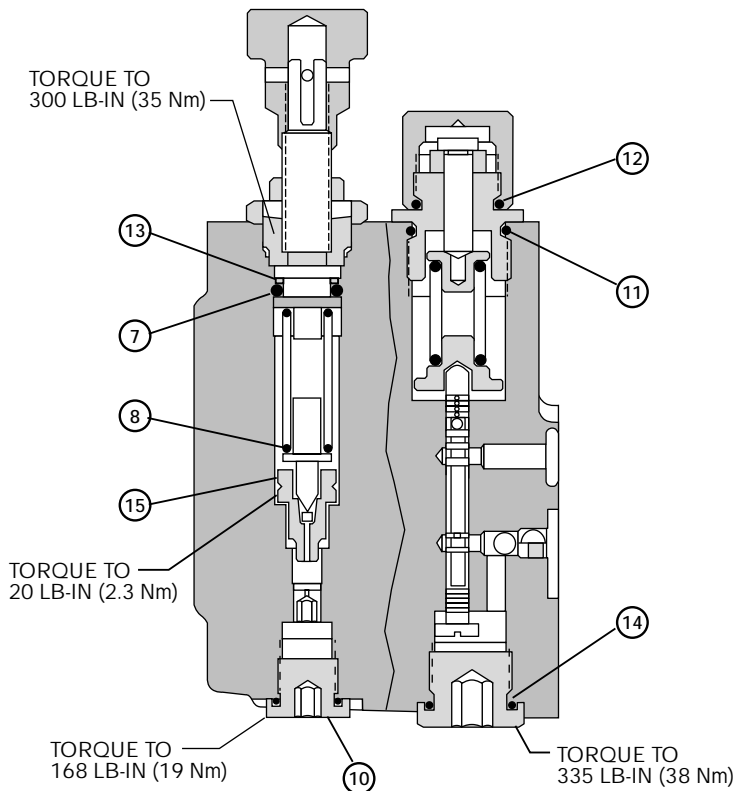
REPAIR KIT FOR SINGLE STAGE COMPENSATOR	
SAE	R978711827
METRIC	R978711828

Repair kit consists of:

REF	DESCRIPTION	QTY
1	O-ring (-011 / 75)	1
2	Plug w/ O-ring	1
3	O-ring (-110 / 75)	1
4	O-ring (-018 / 75)	1
5	O-ring (-128 / 75)	1
6	Back up ring	1
7	O-ring	1

BOLT KIT FOR MOUNTING SINGLE STAGE TO VPV 16/25/32 (M8 X 1.25 X 25)	
R978713971	

**TWO-STAGE COMPENSATOR**



COMPLETE ASSEMBLY FOR TWO-STAGE COMPENSATOR	
SAE	9 511 230 601
METRIC	9 511 230 602

COMPLETE ASSEMBLY FOR LOAD SENSE	
SAE	9 511 230 603
METRIC	9 511 230 604

REPAIR KIT FOR TWO-STAGE COMPENSATOR	
SAE	R978711829
METRIC	R978711830

Repair kit consists of:

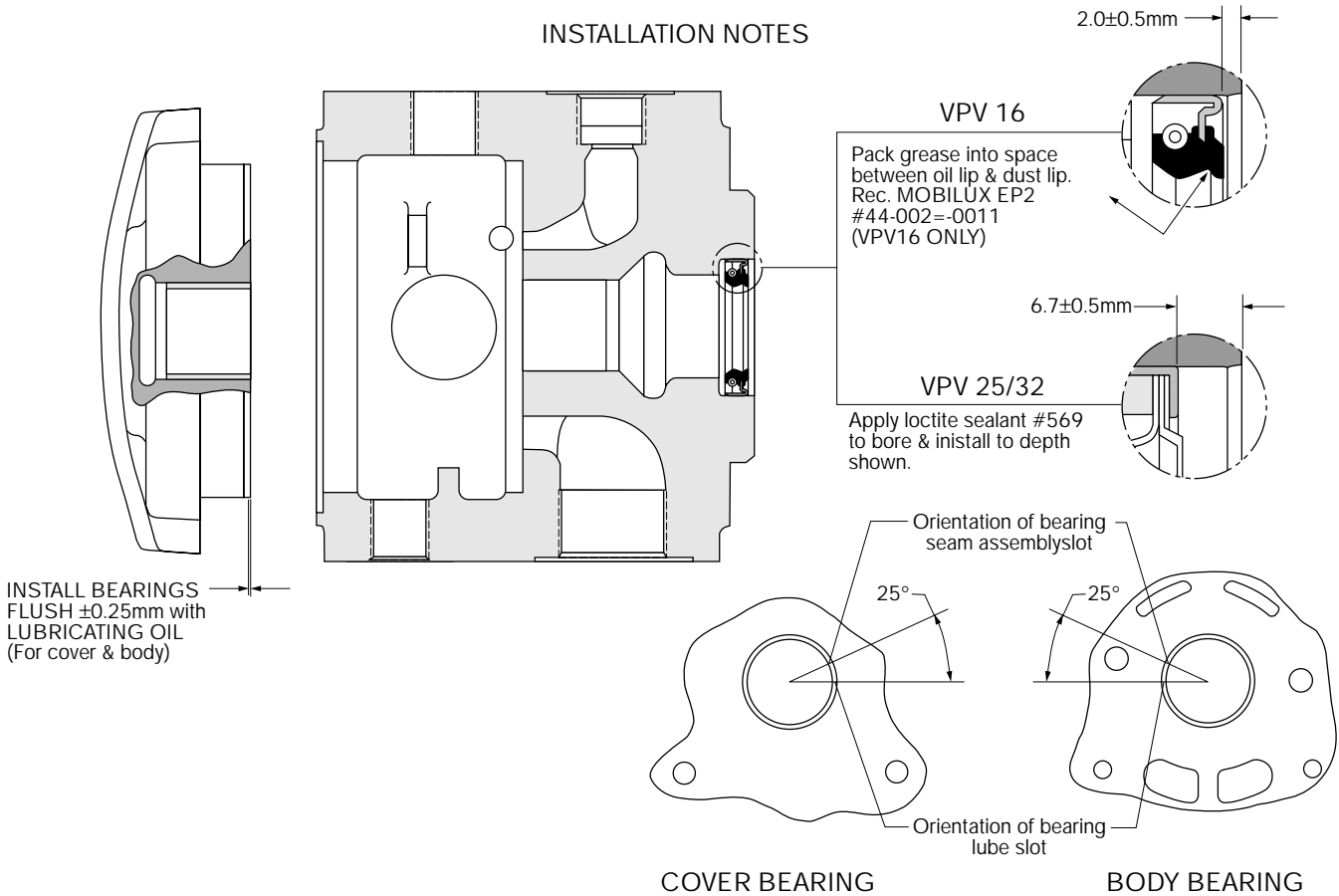
REF	DESC. (ASA#/durometer)	QTY
1*	O-ring (-111 / 75)	2
2*	Plug w/ O-ring	1
3*	O-ring (-110 / 75)	1
5*	O-ring (-128 / 75)	1
7	O-ring (-111 / 75)	1
8	Poppet second stage	1
10	Plug w/ O-ring	1
11	O-ring (-910 / 75)	1
12	O-ring (-908 / 75)	1
13	Back up ring	1
14	O-ring	1
15	Poppet seat w/ O-ring	1

\*=See above view for location of Ref. #1, 2, 3,5

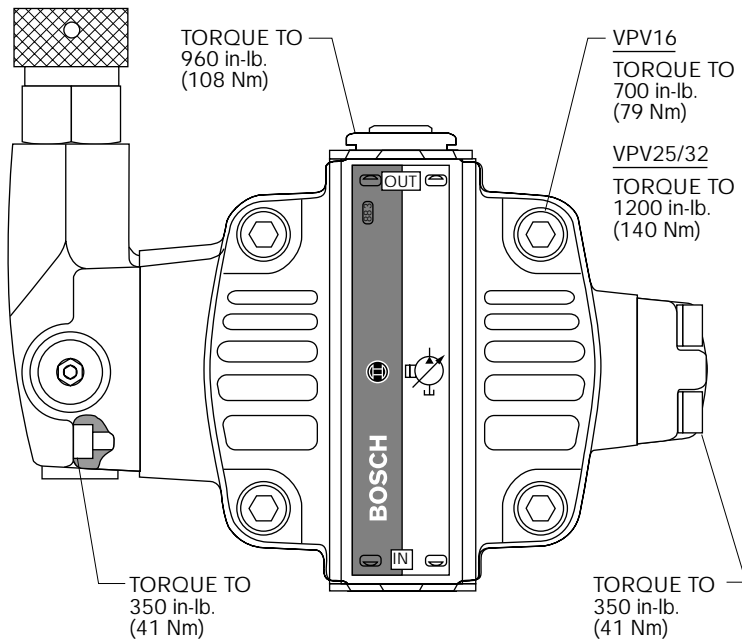
BOLT KIT FOR MOUNTING TWO STAGE & SOLENOID COMPENSATORS TO VPV 16/25/32 (M8 X 1.25 X 45)	
R978713972	

**3000 PSI Repair Parts – VPV 16/25/32**

**INSTALLATION NOTES**

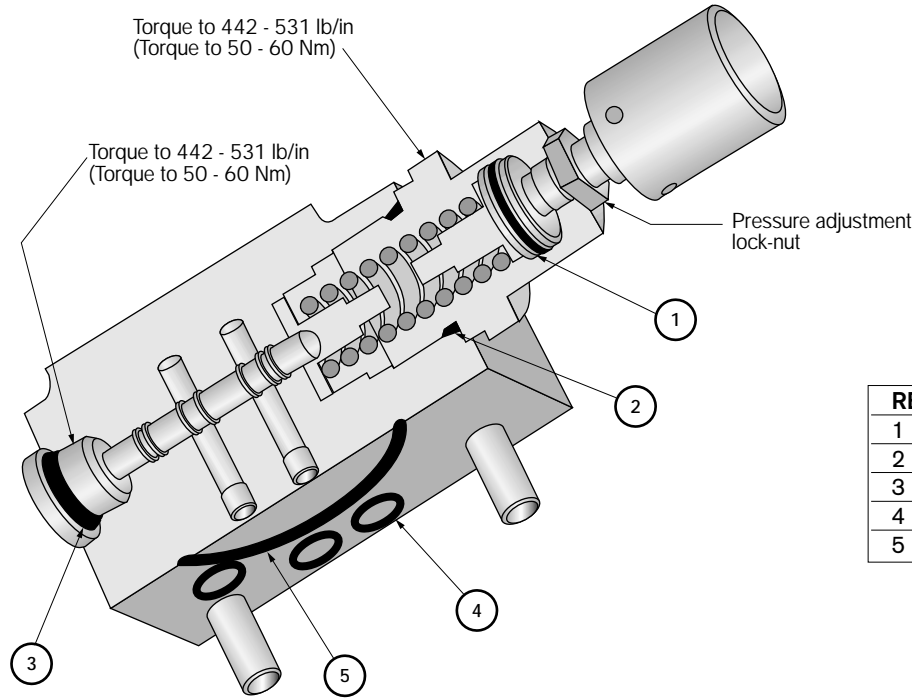


**TORQUE RATINGS**



**3000 PSI Repair Parts – VPV 45 – 164**

**SINGLE-STAGE COMPENSATOR**



**ATTENTION:** These compensators are rated for 210 bar (3000 psi) operation. Install only on pumps rated at 210 bar (3000 psi).

**COMPLETE ASSEMBLY FOR SINGLE STAGE COMPENSATOR**

Consult factory.

**SEAL KIT FOR SINGLE STAGE COMPENSATOR**

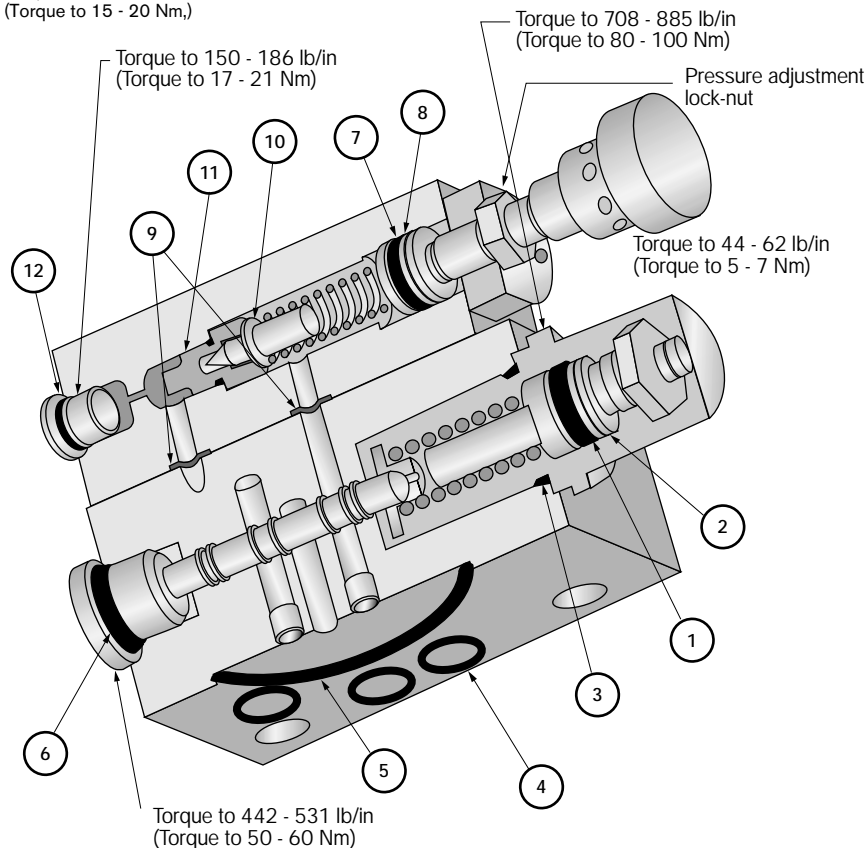
Consult factory.

Viton seal kits consist of:

REF	DESCRIPTION	QTY
1	O-ring 19mm i.d. X 2.5mm c.s.	1
2	O-ring ASA-916	1
3	O-ring 15.3mm i.d. X 2.4mm c.s.	1
4	O-ring ASA-111	3
5	O-ring ASA-143	1

**TWO-STAGE COMPENSATOR**

Note:  
Qty of 3, M6 S.H.C.S. not shown.  
Mounts 2nd stage to 1st stage compensator  
Torque to 133 - 177 lb/in  
(Torque to 15 - 20 Nm,)



**COMPLETE ASSEMBLY FOR TWO STAGE COMPENSATOR**

SAE	9 511 230 610
METRIC	9 511 230 611

**COMPLETE ASSEMBLY FOR LOAD SENSE**

SAE	9 511 230 612
METRIC	9 511 230 613

**REPAIR KIT FOR TWO-STAGE COMPENSATOR**

SAE	R978711857
METRIC	R978711858

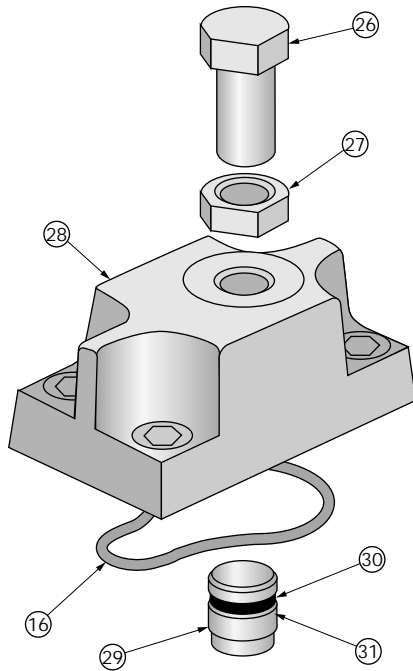
Repair kit consists of:

REF	DESCRIPTION	QTY
1	O-ring ASA-113	1
2	Back up ring	1
3	O-ring	1
4	O-ring ASA-111	3
5	O-ring ASA-143	1
6	O-ring 15.3, i.d. x 2.4mm c.s.	1
7	O-ring ASA-111	1
8	Back up ring	1
9	O-ring ASA-011	2
10	Poppet	1
11	Poppet seat w/ O-ring	1
12	Plug w/ O-ring	1

**BOLT KIT FOR MOUNTING TWO STAGE & SOLENOID COMPENSATORS TO VPV 45/164 (M10 X 1.5 X 40)**

**R978713973**

## 3000 PSI Repair Parts – VPV 45 – 164



Volume Control Assembly		
9 537 232 005		
Volume control kits consist of:		
Ref	Description	Quantity
16	O-ring (ASA-146)	1
26	Adjusting screw	1
27	Jam nut	1
28	Body	1
29	Piston	1
30	Back up ring	1
31	O-ring (ASA-113)	1

Seal Kits*	
SIZE	SAE/METRIC
45-80	9 511 230 658
100-164	9 511 230 659

\*Not for use on water glycol fluids.

Repair Kits				
SIZE	SAE	METRIC	SAE "P1"	METRIC "P1"
45	R978711838	R978711843	R978711841	R978711845
63	R978711838	R978711843	R978711841	R978711845
80	R978711840	R978711844	R978711842	R978711846
100	R978711849	R978711853	R978711851	R978711855
130	R978711849	R978711853	R978711851	R978711855
164	R978711850	R978711854	R978711852	R978711856

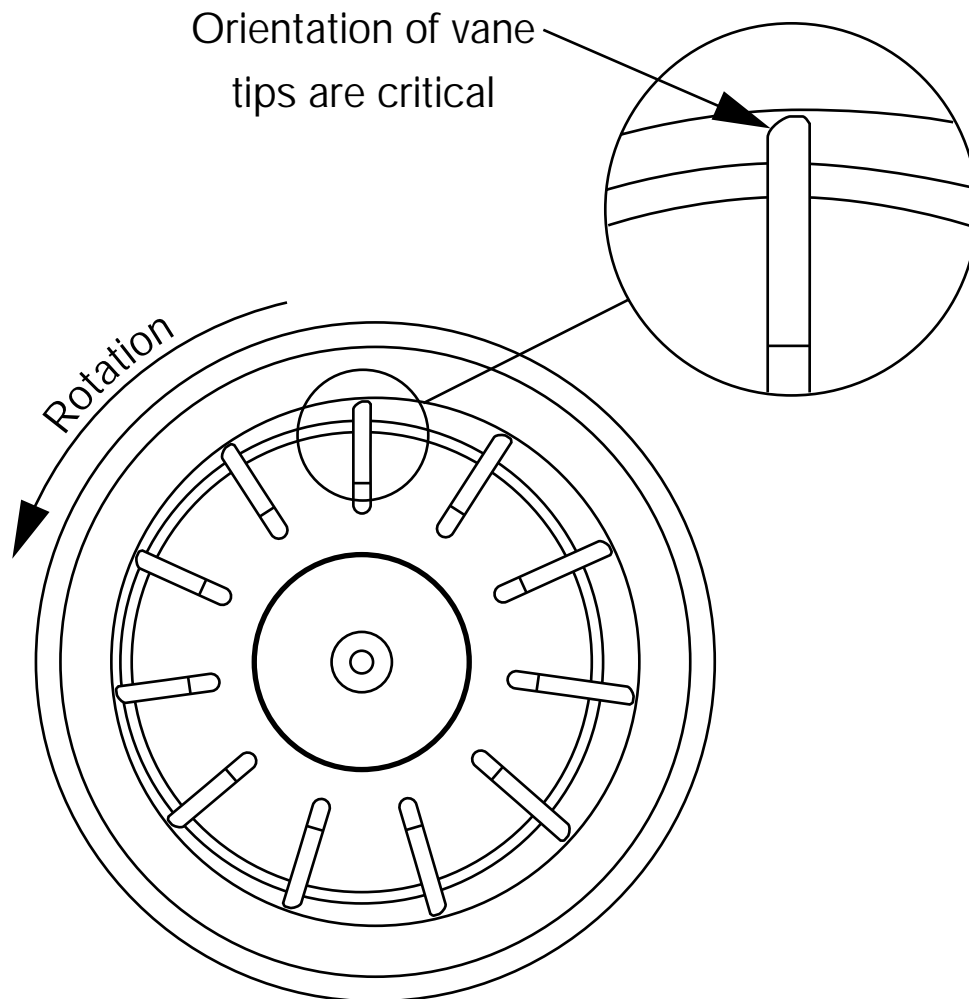
Viton seal kits consist of:		
Ref	Description, VPV45/80/(VPV100/164)	Quantity
13	O-ring, ASA-031 / (ASA-035)	2
14	O-ring, ASA-162 / (ASA-265)	1
15	O-ring, ASA-130 / (ASA-229)	1
16	O-ring, ASA-146 / (ASA-146)	1
17	Shaft seal	1
18	O-ring, ASA-332 / (ASA-340)	1
19	O-ring, ASA-110 / (ASA-110)	1
20	O-ring, ASA-111 / (ASA-111)	3
21	O-ring, ASA-143 / (ASA-143)	1
22	O-ring, ASA-157 / (ASA-160) <b>PHASE-OUT</b>	2
22	O-ring, ASA-155 (New VPV 45/63/80 ONLY)	2
22	O-ring, ASA-158 (New VPV 100/130/164 ONLY)	2
23	Back-up ring (Pressure) <b>PHASE-OUT</b>	2
23	Back-up ring (Modified VPV 45-164 port plate design)	2
24	O-ring, ASA-139 / (ASA-152)	2
24	O-ring, ASA-043 / (ASA-043) Phase-out	2
*	O-ring, ASA-109 / (ASA-109)	1
*	Back-up washer	1
*	O-ring, ASA-237 / (ASA-237) Replaces ASA-043	1
*	Back-up ring (Root seal)	2

\*Not shown (All o-rings durometer rating ≥ 75)

Repair kits consist of:		
Ref	Description	Quantity
1	Key	1
2	Rotor shaft	1
3	Vane kit	1
4	Port plate, cover side	1
5	Roll pin	4
6	Thrust block kit	1
7	Bearing	2
8	Spacer ring	1
9	Pressure ring	1
10	Port plate, body side	1
—	Viton Seal Kit	1

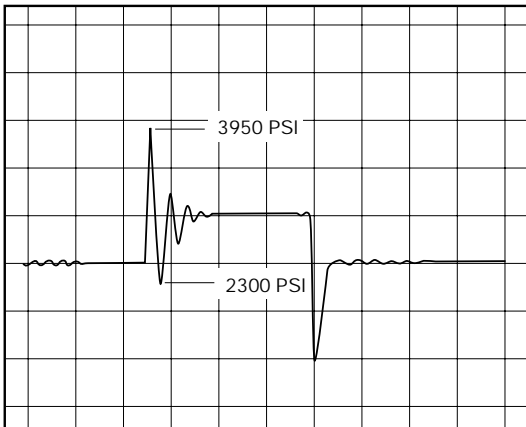
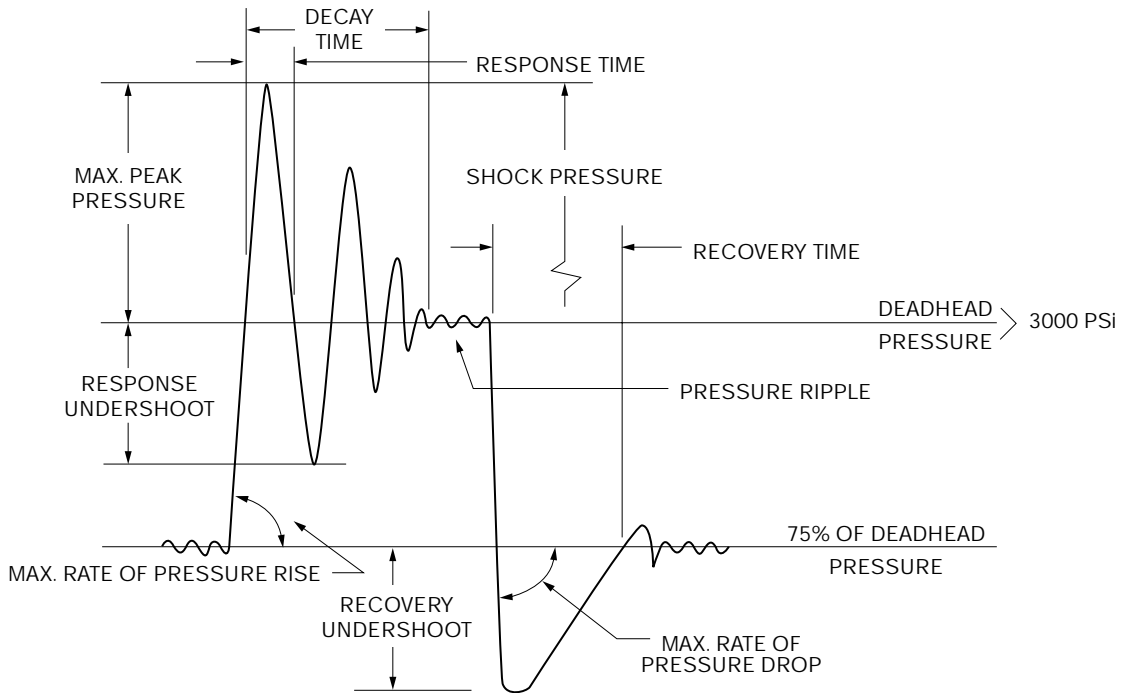
### Vane Tip Orientation

Orient vanes as shown when servicing VPV Whisper™ Pumps.

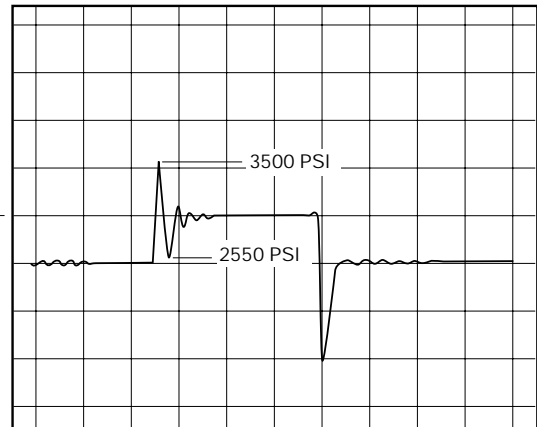


Looking into pump body  
from cover side

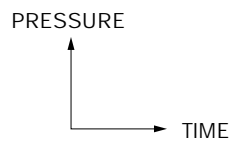
### Reaction Characteristics and Shock Clipper Function



VPV 16, Single stage compensator, plot with shock clipper inactive.  
 (Response overshoot of 950 PSI, response undershoot of 700 PSI)



VPV 16, Single stage compensator, plot with shock clipper active.  
 (Response overshoot of 500 PSI, response undershoot of 450 PSI)





Bosch Rexroth Corporation  
Industrial Hydraulics  
2315 City Line Road  
Bethlehem, PA 18017-2131  
Telephone (610) 694-8300  
Facsimile (610) 694-8467  
[www.boschrexroth-us.com](http://www.boschrexroth-us.com)

Bosch Rexroth Corporation  
Corporate Headquarters  
5150 Prairie Stone Parkway  
Hoffman Estates, IL 60192-3707  
Telephone (847) 645-3600  
Facsimile (847) 645-6201

Bosch Rexroth Corporation  
Electric Drives and Controls  
5150 Prairie Stone Parkway  
Hoffman Estates, IL 60192-3707  
Telephone (847) 645-3600  
Facsimile (847) 645-6201

Bosch Rexroth Corporation  
Linear Motion and  
Assembly Technologies  
816 E. Third Street  
Buchanan, MI 49107  
Telephone (616) 695-0151  
Facsimile (616) 695-5363

Bosch Rexroth Corporation  
Pneumatics  
1953 Mercer Road  
Lexington, KY 40511-1021  
Telephone (859) 254-8031  
Facsimile (859) 281-3491

Bosch Rexroth Corporation  
Mobile Hydraulics  
1700 Old Mansfield Road  
Wooster, OH 44691-0394  
Telephone (330) 263-3300  
Facsimile (330) 263-3333

9 535 233 724/10.03  
Replaces: 9 535 233 724 7/00

Printed in the United States