



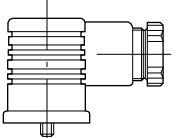
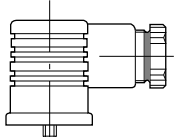
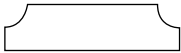



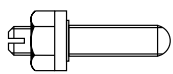
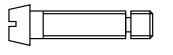
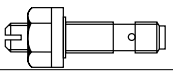
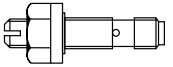


Accessories

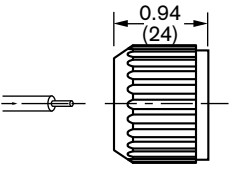
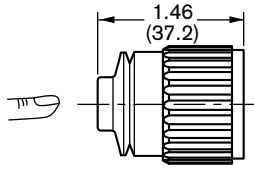
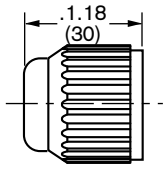
Sentinel light assembly			D03 (NG6)	D05 (NG10)				
	Port "A"	AC	9 537 230 017	9 537 230 003				
	Port "B"	AC	9 537 230 018	9 537 230 004				
	Double	AC	9 537 230 016	9 537 230 002				
	Port "A"	DC	9 537 230 070	9 537 230 076				
	Port "B"	DC	9 537 230 071	9 537 230 077				
	Double	DC	9 537 230 069	9 537 230 075				
Wiring Box Kit			9 810 231 490	9 810 232 499				
Quick connect								
	Quick Connect female plug w/3 ft. pigtail for flexible conduit	Single Sol. AC	951 901					
		Double Sol. AC	951 902					
	Quick Connect male plug for wiring box	Single Sol. AC	778 345					
		Double Sol. AC	778 346					
	Quick Connect male plug for wiring box	Single Sol. DC	9 536 230 040					
		Double Sol. DC						
	Plug connector, Standard	Grey (A)	1 834 484 058					
		Black (B)	1 834 484 057					
	Plug connector with LED indicator lamp 12 - 28 VDC	Grey (A)	1 834 484 136					
		Black (B)	1 834 484 137					
	Rectifier Plug	1 834 484 134						
Subplates			D03 (NG6)	D05 (NG10)	D07 (NG16)	D08 (NG25)	D10 (NG32)	
	NFPA T3.51M	Bottom Ported	1.4 NPT	9 000 010 148	-	-	-	
			3/8 NPT	9 000 010 146	-	-	-	
			1/2 NPT	9 000 010 139	9 000 010 172	-	-	
			3/4" NPTF	-	9 000 010 181	9 000 010 201	-	
			1" NPTF	-	-	9 000 101 202	9 000 010 216	
			1 1/4" NPTF	-	-	-	9 000 010 217	950 917
			1 1/2" NPTF	-	-	-	9 000 010 218	950 919
			2" NPTF					950 920
			#6 SAE	9 000 010 144	-	-	-	
			#8 SAE	9 000 010 140	9 000 010 174	-	-	
			#12 SAE	-	9 000 010 183	9 000 010 203	-	
			#16 SAE	-	-	9 000 010 204	9 000 010 219	
			#20 SAE	-	-	-	9 000 010 220	
			#24 SAE	-	-	-	9 000 010 221	
	Side Ported	1/4 NPT	9 000 010 147					
		3/8 NPT	9 000 010 145					
		1/2 NPT	9 000 010 142	9 000 010 164				
		3/4 NPT		9 000 010 166				
		#6 SAE	9 000 010 143					
		#8 SAE	9 000 010 141	9 000 010 165				
		#12 SAE		9 000 010 175				

SEAL KITS		D03 (NG6)	D05 (NG10)	D07 (NG16)	D08 (NG25/55)	D08 (NG25)	D10 (NG32)
	Set of Seals (Viton)	9 810 231 529	9 810 232 520	9 810 234 100	9 810 235 600	9 810 235 601	9 810 234 535
BOLT KITS							
	Kit (valve only)	953 611	953 675	953 726	953 594	953 723	953 523

Throttle Screw For Soft Shift Adjustment

Throttle Screw for soft shift adjustment		Wt. Lbs (kg)	Part Number	
	Adjustable	.001 (0.005)	1 817 001 005	
	Fixed		.024 (0.6mm)	1 817 011 094
			.040 (1mm)	1 817 001 095
	Adjustable		*A → B	1 817 001 085
		*A ← B	1 817 001 086	

* For speed adjustment when spool is moving in reference to cylinder parts

Solenoid Nut		
Standard	With Rubber Cover	Covered
		
	Inches (Millimeters)	
D03 (NG6) 9 535 230 082	D03 (NG6) 1 833 343 015	D03 (NG6) 1 833 343 013
D05 (NG10) 1 833 343 001	D05 (NG10) 1 833 343 003	D05 (NG10) 1 833 343 002

Solenoid Coil	Flying Leads		Din 43650	
	D03 (NG6)	D05 (NG10)	D03 (NG6)	D05 (NG10)
Voltage/Frequency				
115/60 (Dual Frequency)	9 536 230 015	9 536 230 004	1 837 001 255	1 837 001 212
230/60 (Dual Frequency)	9 536 230 016	9 536 230 005	1 837 001 256	1 837 001 213
12VDC	1 837 001 292	1 837 001 296	1 837 001 226	1 837 001 139
24VDC	1 837 001 293	1 837 001 297	1 837 001 227	1 837 001 140
96VDC	N/A	N/A	1 837 001 232	1 837 001 159
125VDC	N/A	9 536 230 056	N/A	N/A
240VDC	9 536 230 059	9 536 230 057	N/A	N/A

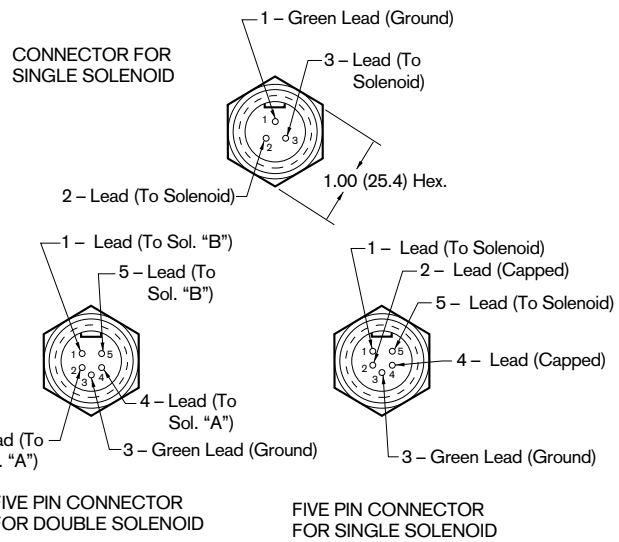
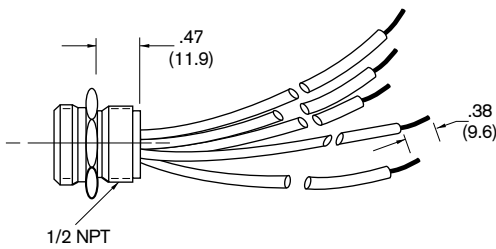
Quick Connect Male Plug

AC Solenoids

Inches (Millimeters)

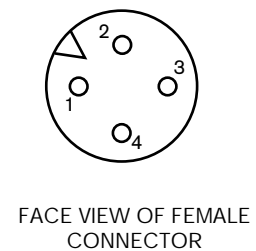
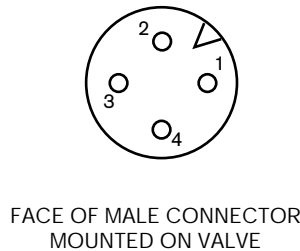
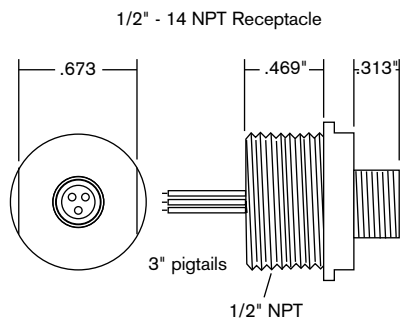
The quick connect male plug is a standard three or five pole electrical connector with 3.25" leads except the ground lead which is 4". All valves ordered with a quick connect are wired to an industry standard (NFPA Standard 13.5.29M) which is shown below. The wiring box has a 1/2" NPT electrical connection on each end in which the quick connect can be installed. On single solenoid valves, the quick

connect will be located above the solenoid. On double solenoid valves, it is located on the B port end of the valve. The five pin connector for a single solenoid valve is offered for consumers that use both single and double solenoid valves but want to standardize on one female quick connect plug.




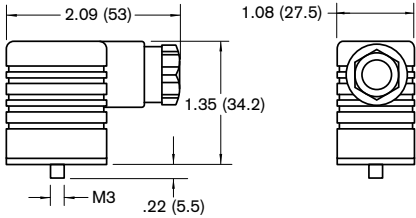

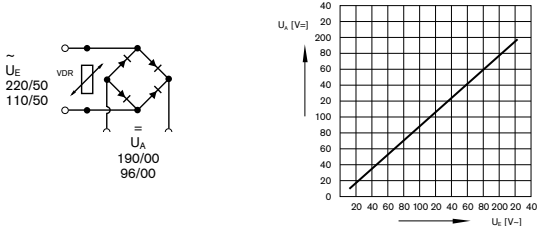
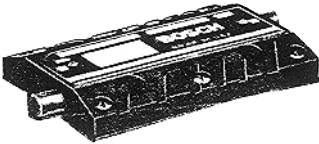
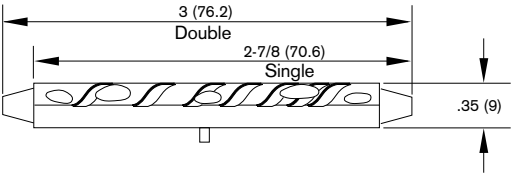
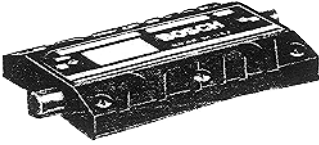
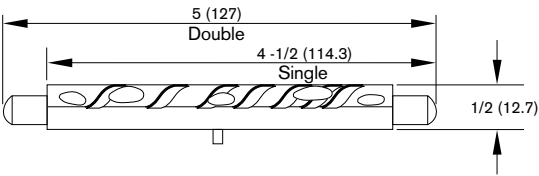
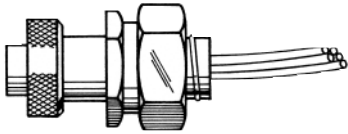
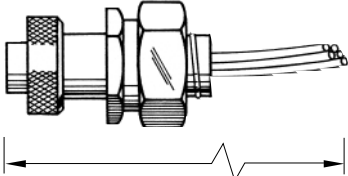

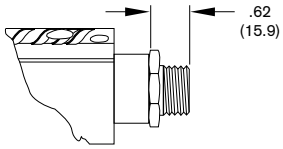

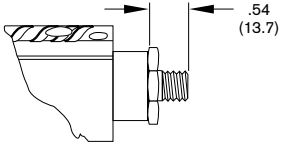
DC Solenoids

Inches (Millimeters)



- PIN #1 - + SOLENOID A
- PIN #2 - VALVE GROUND
- PIN #3 - COMMON
- PIN #4 - + SOLENOID B

NOTE: SINGLE SOLENOID VALVES WIRED ON SOLENOID 'A' PIN.

	<p>Standard Plug & Plug With Lite</p>  <p>Inches (Millimeters)</p> <p>PG 11</p>
	<p>Rectifier Plug</p> 
<p>Sentinel Lite D03 (NG6)</p> 	
<p>Sentinel Lite D08 (NG10)</p> 	
<p>Female Plug AC</p> 	 <p>Wire lead length 3 ft. ± 3 in. (.9m ± 7cm)</p>
<p>Quick Connect AC</p> 	 <p>.62 (15.9)</p>
<p>Quick Connect DC</p> 	 <p>.54 (13.7)</p>