

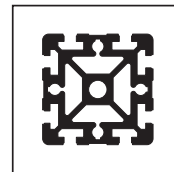
BRL SIS (Sales Information Service)

Issued by:

Bosch Rexroth Corporation • 816 East Third St., Buchanan, MI 49107 • 269-695-0151

Date:

05-30-2005



Product Bulletin – Aluminum Structural Framing

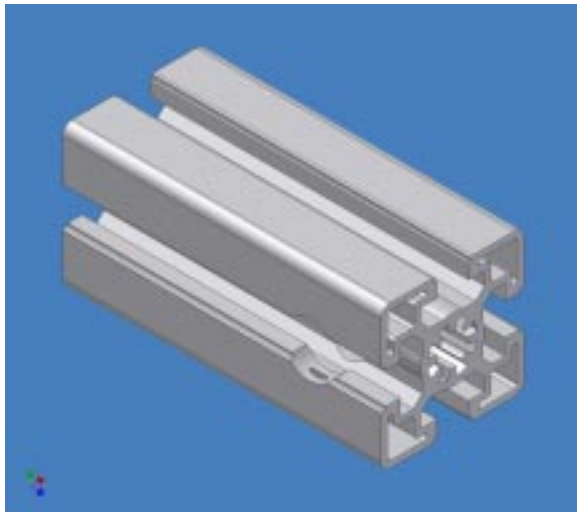
PB-MGE04-05 US

Bosch Rexroth Offers New 3D Solid Models for CAD

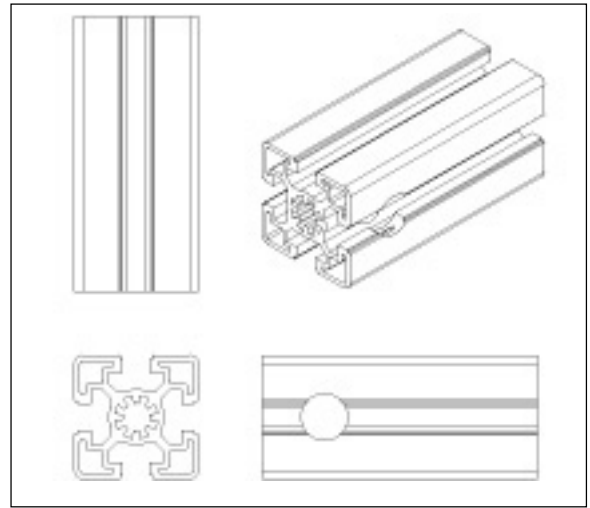
Bosch Rexroth is pleased to announce the addition of SolidWorks-compatible 3D CAD files to the website. This latest online tool provides customers with 3D or 2D models in virtually any contemporary CAD format. All information is organized into logical product category menus to ensure easy navigation through the site, and is integrated into our framing web shop. By using our downloadable models, you will ensure greater design accuracy and also dramatically shorten design-to-market time. Configure the models before you download them for even more speed and accuracy.



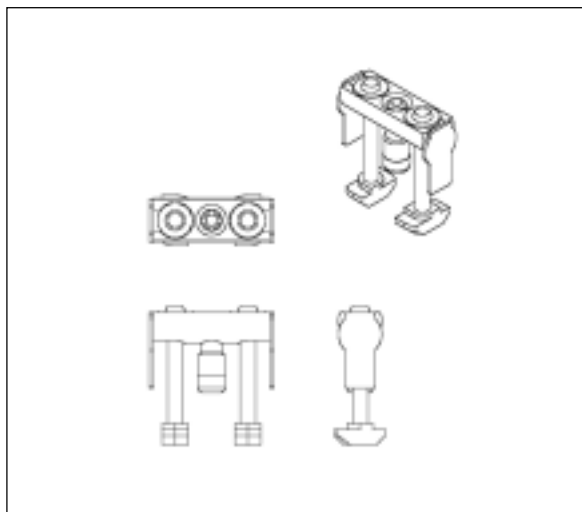
Sample CAD Formats



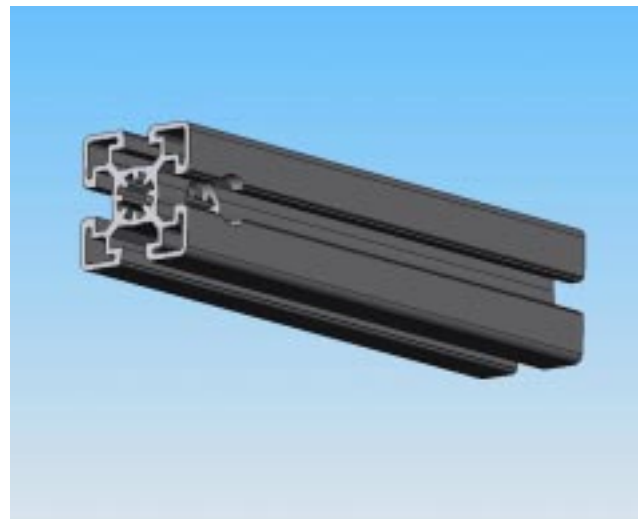
STP Format



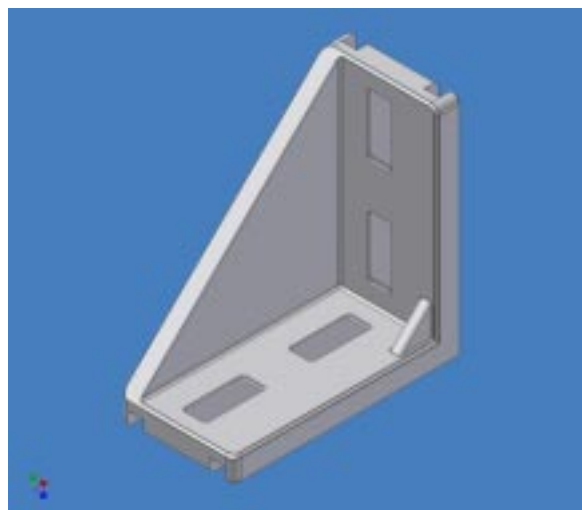
DXF Format



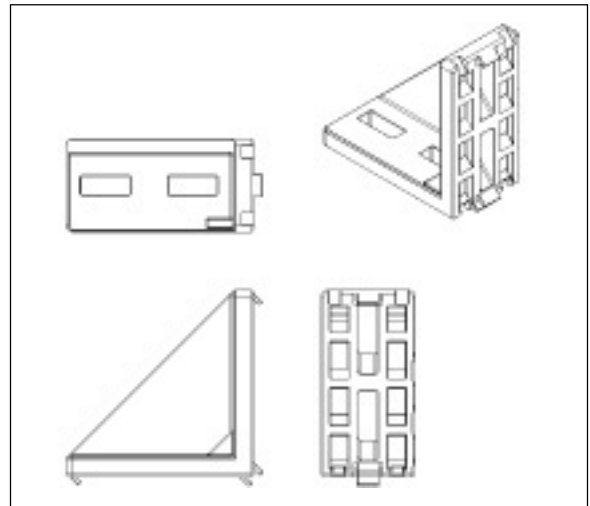
TIF Format



SolidWorks Format



SAT Format



DWG Format

Available CAD Formats

This latest online tool provides customers with 3D or 2D models in virtually any contemporary CAD format (see complete list below). All information is organized into logical product category menus to ensure easy navigation through the site, and is integrated into our framing web shop. Aluminum Framing Products are available in the following formats:

2D

- SolidWorks Drawing (.slddrw)
- ANVIL Express (.dwg)
- AutoCAD (.dwg)
- DWG Files (.dwg)
- DXF Files (.dxf)
- SolidWorks eDrawings (.edrw)
- Acrobat (.pdf)
- TIFF files (.tif)

3D

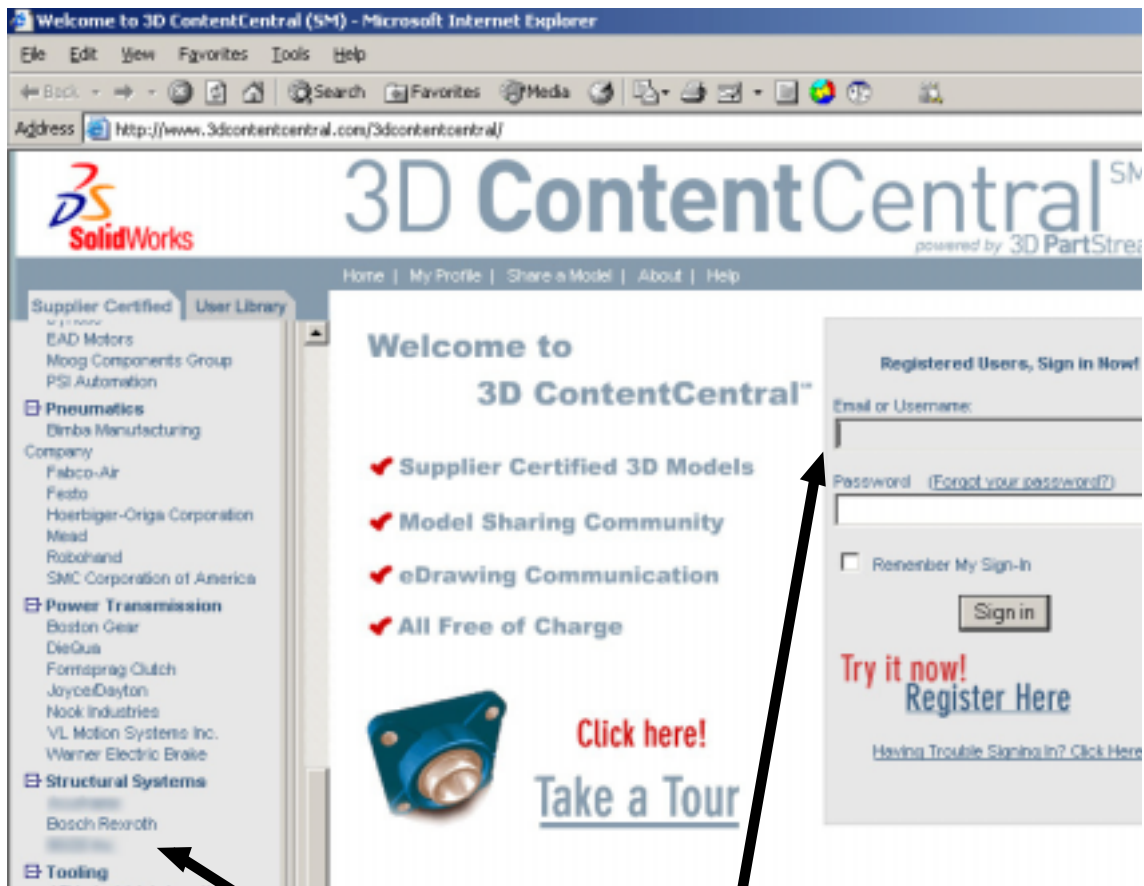
- SolidWorks Part/Assembly (.sldprt)
- CATIA V5 (.catproduct)
- CATIA V4 (.session)
- ANVIL (.igs)
- Ashlar-Vellum Argon (.sat)
- Ashlar-Vellum Cobalt (.sat)
- Ashlar-Vellum Xenon (.sat)
- CADKey 3D (.sat)
- AutoCAD 3D (.sat)
- IGES (.igs)
- Inventor (.sat)
- IronCAD (.sat)
- JPEG (.jpg)
- Mechanical Desktop (.sat)
- Acrobat (.pdf)
- Pro/E Part/Assembly (.prt)
- ACIS (.sat)
- SDRC I-DEAS (.step)
- SolidEdge (.x_t)
- STEP (.stp)
- STL (.stl)
- TIFF (.tif)
- Unigraphics (.x_t)
- VDA (.vda)
- VRML (.wrl)
- Parasolid Binary (.x_b)
- Parasolid Text (.x_t)
- Edrawing Part/Assembly (.eprt)

Where to Get Our New 3D Models

There are two ways of getting to Rexroth's 3D models. Use the MGE Framing Shop link www.boschrexroth-us.com/framingshop or find us at www.3dcontentcentral.com under the Structural Framing category.

3DContentCentral and MGE FramingShop

Access all of the Bosch Rexroth's 3D models in all major CAD formats using following link www.3dcontentcentral.com. The registration is quick and your required sign-in setup will be completed in no time. After signing in to the 3DContentCentral, use the categories on the left to browse to the Bosch Rexroth link in the Structural Systems category. You will be taken to the products page where you can use the menu or product pictures to browse our products. Find the desired product, configure it to fit your needs and then download it in 2D or 3D format. That's all there is to it. For more details on configuring and downloading go to the "Configure and View" section of this document.



Sign in (register if visiting the site for the first time) then go to the Bosch Rexroth product page.

Framing Shop: Navigate or Search

Use the following link to get to the 3D models: www.boschrexroth-us.com/framingshop. The menu on the left-hand side enables users to quickly find the product(s) they are searching for. Each category item will be displayed in the main page area, as well, so a mere click on the part illustration will take you to your selection.

Bosch Rexroth Framing eCom

Industrial Hydraulics | Electric Drives and Controls | **Linear Motion and Assembly Technologies** | Pneu

◀ Bosch Rexroth | Contact Us | Linear Motion

◀ Linear Motion and Assembly Technologies

Framing Shop

- ▶ Metric Products
- ▶ Profiles
- ▶ Profile Connectors
- ▶ Fasteners
- ▶ Doors and Door Components
- ▶ EcoSafe Guarding
- ▶ Floor to Frame Elements
- ▶ Air Supply Elements
- ▶ Profile Caps
- ▶ Manual Conveyors
- ▶ Ergonomic Workstations
- ▶ Accessories
- ▶ EcoSlide Carriages
- ▶ Dynamic Linear Elements
- ▶ Wall and Ceiling Systems
- ▶ Inch Products
- ▶ Product Search

Aluminum Structural Framing Metric Products

To view pricing and place order

Continue shopping by clicking on c

You may also search for a produc

Metric Product line:

Profiles

Use the Menu or Images to navigate through the product categories

Framing Shop: Navigate or Search, cont.

For added convenience, the Framing Shop page has built-in search capabilities to allow users to quickly find the part/part number of interest. Use the "Product Search" menu item to go to the search page. Once there, you can execute a search based on various criteria, i.e. the part number or description, and then click the Search button to retrieve the list of matching items. Users may also use "Search Category" and "T-Slot Size" parameters to narrow the search.

The screenshot shows a Microsoft Internet Explorer browser window displaying the Bosch Rexroth Framing eCommerce website. The address bar shows the URL: http://rexroth.starlinear.com/framing_Shop/Product/Search.aspx. The page header includes navigation links for Industrial Hydraulics, Electric Drives and Controls, Linear Motion and Assembly Technologies (which is highlighted), Pneumatics, Service Automation, and Mobile Hydraulics. A secondary navigation bar contains links for Contact Us, Log In, Search for Framing, and Shopping Cart. The main content area is titled "Aluminum Structural Framing Search" and includes a "LOG IN" button. Below this, there are search input fields: "Search Text or Part Number:" with a text box, "Search Category:" with a dropdown menu showing "-- No Selection --", and "T-Slot Size:" with another dropdown menu showing "-- No Selection --". A "Search" button is located below these fields. An example text reads: "Example: COVER CAP. COVER and CAP can occur anywhere in the item description". A yellow callout box with a black border and text is positioned below the search fields, with an arrow pointing to the "Search" button. The text in the callout box is: "Specify the Search criteria and click the Search button to quickly find the part".

Framing Shop: How to Get CAD Files

Once you have found the desired product through the menu navigation or the Search function, you may begin the download process. This can be done easily by clicking on the arrowhead icon in the CAD column, at the bottom of the page.

Bosch Rexroth - Microsoft Internet Explorer

File Edit View Favorites Tools Help

Address http://rexroth.starlinear.com/Framing_Shop/Product/View_Product.aspx?category=10104&subcatego

Industrial Hydraulics | Electric Drives and Controls | **Linear Motion and Assembly Technologies** | Pneumatics | Service Automation | Mobile Hydraulics

◀ Bosch Rexroth | Contact Us | Log In | Search for Framing | Shopping Cart

◀ Linear Motion and Assembly Technologies

Framing Shop

- ▼ Metric Products
 - ▼ Profiles
 - ▶ 20 Series Profiles
 - ▶ 30 Series Profiles
 - ▶ 40 Series Profiles
 - ▶ 45 Series Profiles
 - ▶ 50 Series Profiles
 - ▶ 60 Series Profiles
 - ▶ 80 Series Profiles
 - ▶ 90 Series Profiles
 - ▶ 100 Series Profiles
 - ▶ Specialty Profiles
 - ▶ Profile Connectors
 - ▶ Fasteners
 - ▶ Doors and Door Components
 - ▶ EcoSafe Guarding
 - ▶ Floor to Frame Elements
 - ▶ Air Supply Elements
 - ▶ Profile Caps
 - ▶ Manual Conveyors
 - ▶ Ergonomic Workstations

Aluminum Structural Framing 45x45

To view pricing and place orders, please log in here:

10

Features:

- General purpose, medium-d
- Has four 10mm T-slots

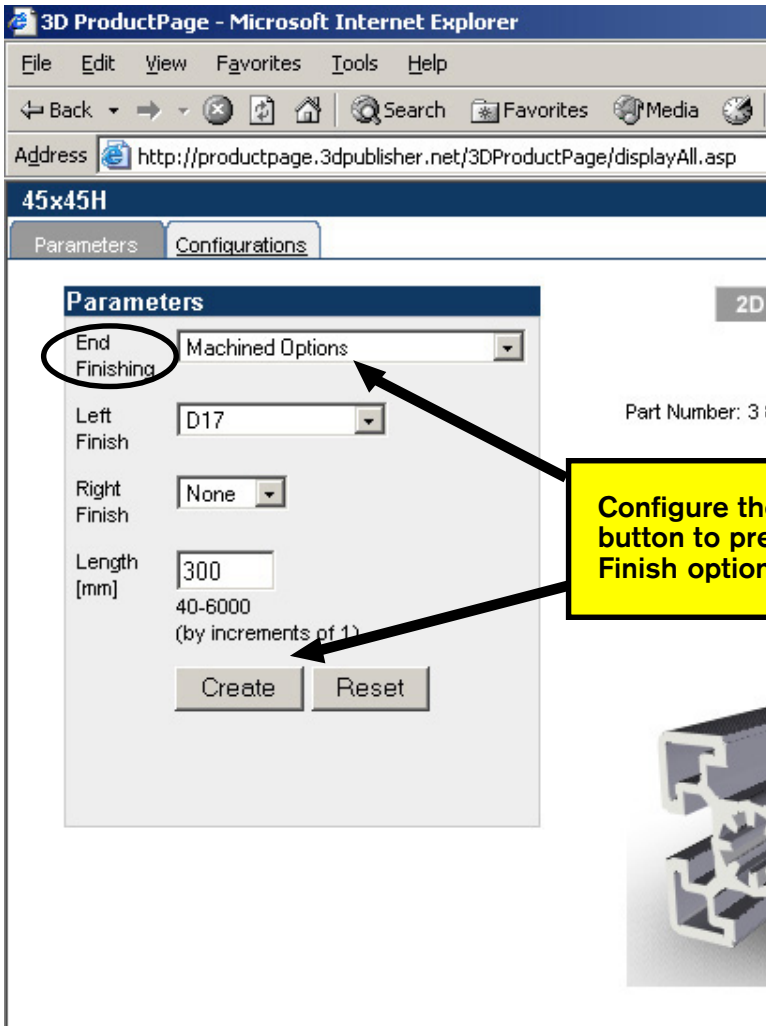
Non-Machined End Finish Options

Part No.	Description	CAD	PDF
8981004744	Profile 45x45 Pkg of 20, 6000mm		
8981004773	Profile 45x45 Single, 6000mm		

Go to the 3D download page by clicking on the CAD column download link

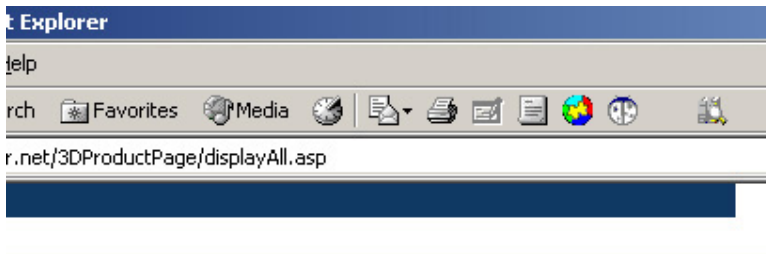
Advanced Capabilities: Configure and View

Once you've clicked the download arrow in the framing shop, a new Explorer window will display the selected parts in the 3DProducts page. This is where you can further configure the desired part(s) before download. Configure length, end finish, orientation, accessories and additional features of the desired part(s). For example, add end finish options to our 45x45 profile as shown below under the "Parameters" tab, simply click on "Machined Options" in the "End Finishing" box to get the available end finish options for the selected profile(s). The web interface provides options and combinations that will generate valid part numbers. Specify the valid part length or the default will be used. Then click the "Create" button to change the preview.



Advanced Capabilities: Previewing the Part

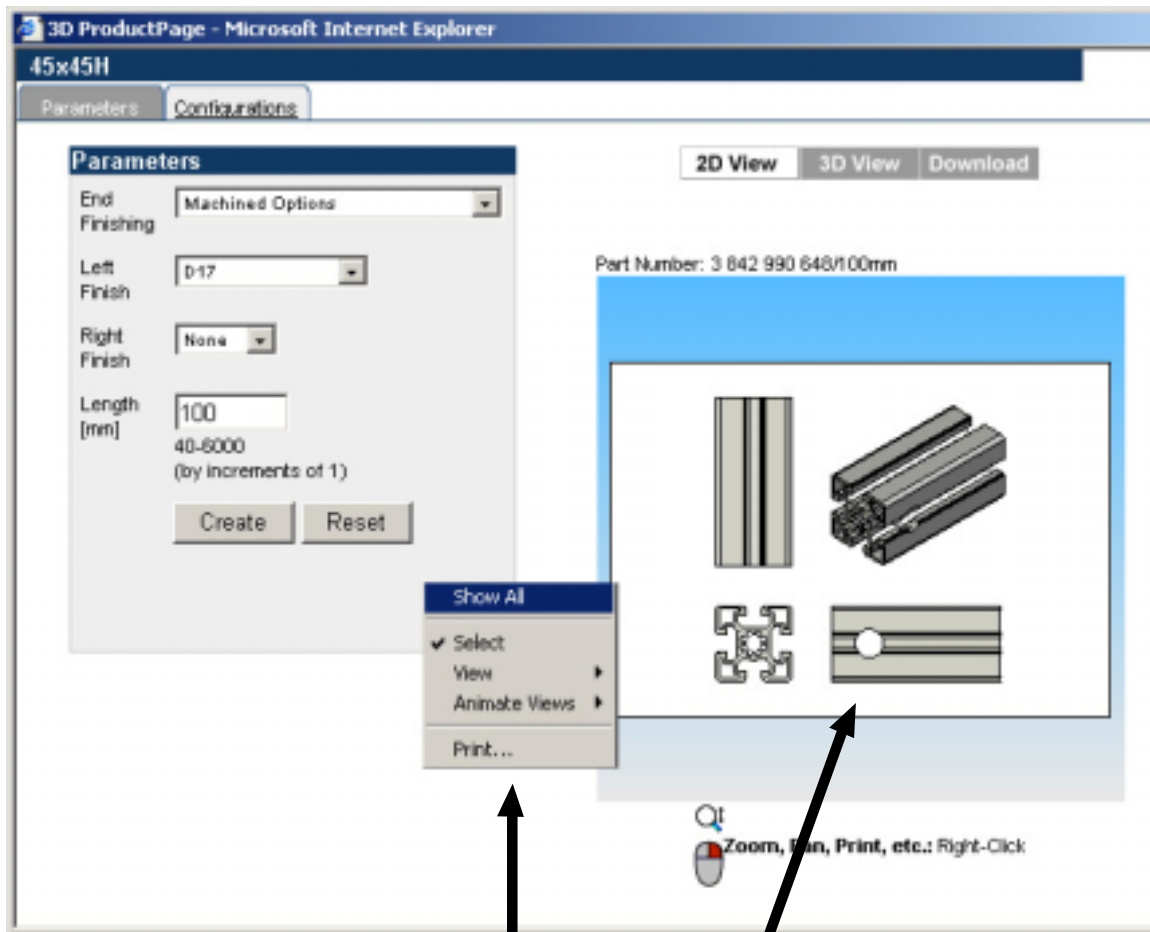
All models can be previewed in 2D or 3D view. Change the preview between 2D and 3D by clicking on the buttons located above the current image. The first time this page is activated you will be asked to install the preview control which is required if you want to see your model in the 3D preview window. The three mouse illustrations below the preview image show how to manipulate the model preview by using the rotate, pan and zoom commands.



Use the 2D View or 3D View to preview the part. Manipulate the preview with your mouse, using the buttons shown in the symbols below

Advanced Capabilities: 2D

The first time 2D View feature is activated you will be asked to install and run a control which is necessary for correct viewing of your part. After a quick installation you will be able to see your model in several 2D views, including isometric 2D view. Right-click on the preview area to bring up a menu with the options that allow you to manipulate the preview by changing your view from all parts to a single part display. You are also able to adjust the angle and shade of the displayed part. With new printing capabilities of 2D view you can print in color, with or without shade or zoom into the top view of your part and print the top view only.



Preview your part in 2D and manipulate it using View, Animate View and the Print Menu options (right click to display the menu)

The Final Step: Downloading Your File

Click on the "Download" button to go to the download section of the page. All major CAD systems are supported to ensure no time or data is lost during the conversion process. You can download configured drawings in 8 different 2D formats or in one of the 28 different 3D formats. A zipped file option lets users download large files into a compressed format for faster download times.

Download information:

Format:	STEP
Version:	AP214
Mapped Format:	step
Mapped Version:	AP214
Part Number:	3 842 990 648/300mm
Type:	3D

[45x45H](#)
Drag and drop this link into SolidWorks, or click it to download the file.

Please select a 3D download format:
SolidWorks Part/Assembly (.sldprt)
Version: 2005 Download zipped

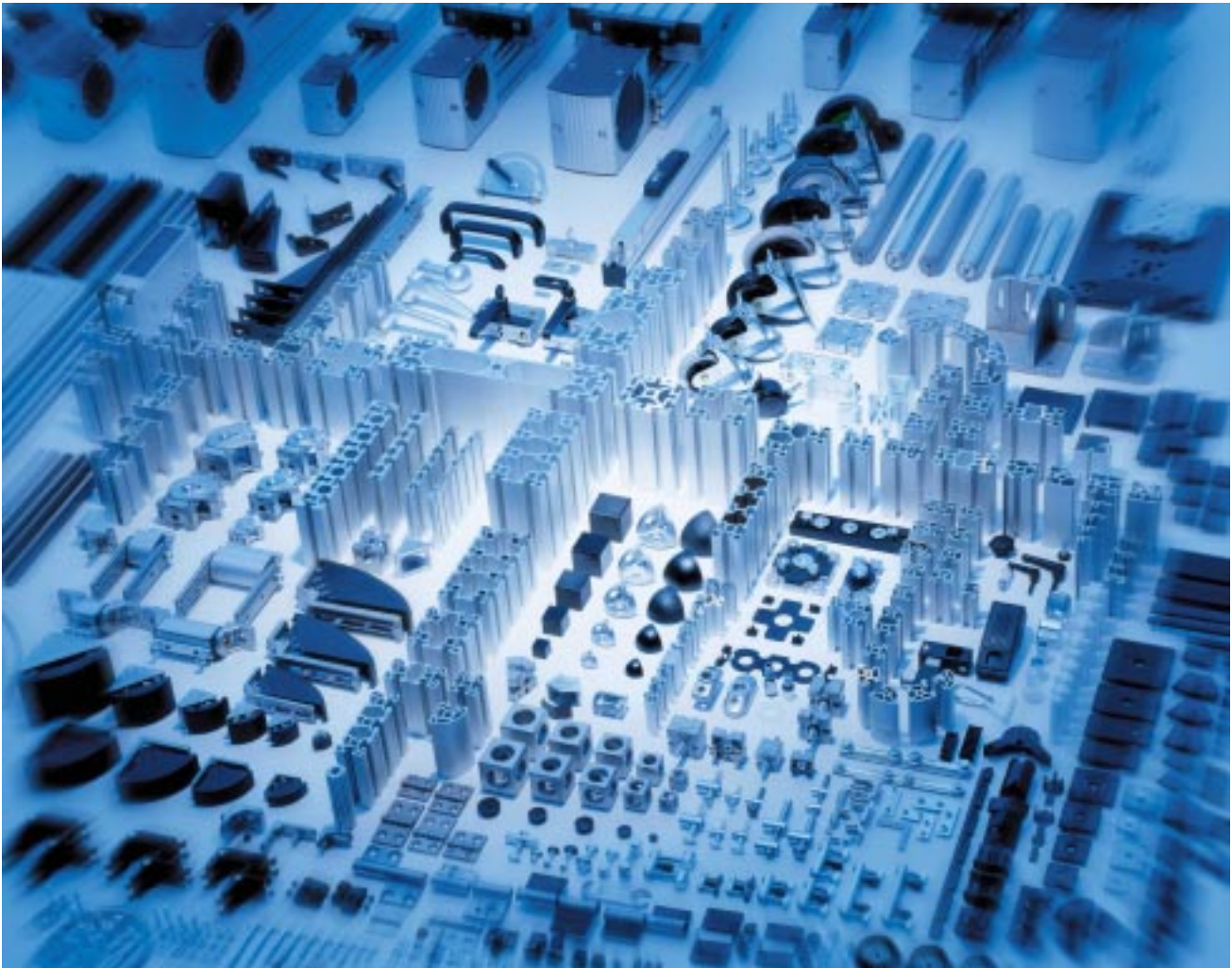
Please select a 2D download format:
SolidWorks Drawing (.slddrw)
Version: 2005 Download zipped

Select desired format and version then use the download link to download the model

Thank you for using the new 3D Solid Models at www.boschrexroth-us.com/framingshop. If you can't find a product you are looking for, please e-mail fmssoft-support@boschrexroth-us.com.

The world's largest offering of aluminum structural framing. Build it faster, build it better.

Buy it online, too: www.boschrexroth-us.com/framingshop



Bosch Rexroth Corporation

Linear Motion and
Assembly Technologies
816 E. Third Street
Buchanan, MI 49107

Telephone (269) 695-0151
Facsimile (269) 695-5363

www.boschrexroth-us.com/framingshop

Printed in the United States
PB-MGE0405-US