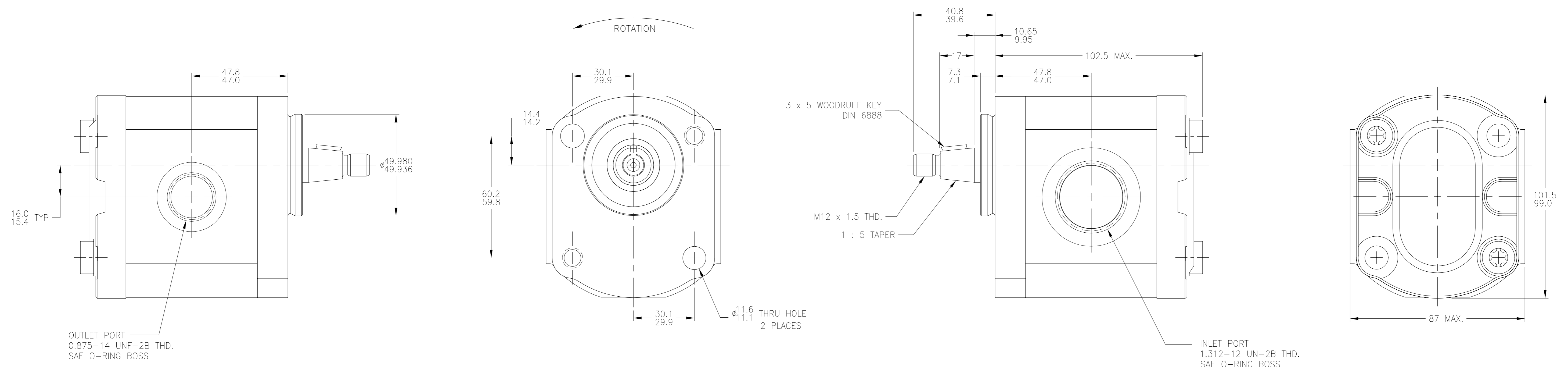


8 | 7 | 6 | 5 | 4 | 3 | 2 | 1

REV	DESCRIPTION	DATE	BY	CKD
	RELEASE TO PRODUCTION	(CRR0397)	03-01-03	D.M.



GENERAL NOTES:

1. METRIC LINEAR MEASUREMENTS ARE IN MILLIMETERS
2. ROTATION VIEWING DRIVE END: COUNTERCLOCKWISE
3. DISPLACEMENT: 16.5 CC/REV
4. MAX CONTINUOUS RATED PRESSURE: 250 BAR
5. OUTPUT FLOW: 31 L/MIN. AT 2000 RPM & 138 BAR USING SAE NO. 10 OIL AT 48°C
6. MAX RATED SPEED: 3500 RPM

DO NOT SCALE UNLESS OTHERWISE SPECIFIED: TOLERANCES PER DIN 7185	ERN D.M.	DATE 03-01-03	DESCRIPTION AZ-P-F-12-016-LCP12PB	SCALE FULL
LINEAR DIMENSION TOL. 0- 4= ±0.1 6- 30= ±0.2 30- 120= ±0.3 120- 400= ±0.5 400-1000= ±0.8 ANGLES = ± 1°	APPROV	DATE	TITLE PUMP-GEAR, INSTALLATION	SHEET 1 OF 1
METRIC	REF. 9510290130TAB	ENG. NO. 9 510 290 166	REV. CAD-ORIGINAL Revisions thru CAD Only	MATERIAL
THIRD ANGLE PROJECTION	ALL PROPRIETARY RIGHTS IN THE SUBJECT MATTER HEREOF ARE RESERVED, AND NO PERMISSION IS GRANTED TO REPRODUCE THIS PRINT IN WHOLE OR PART, OR TO DISCLOSE ANY OF THE INFORMATION UPON IT TO OTHERS.			D
	Rexroth Bosch Group			WOOSTER, OHIO 44691