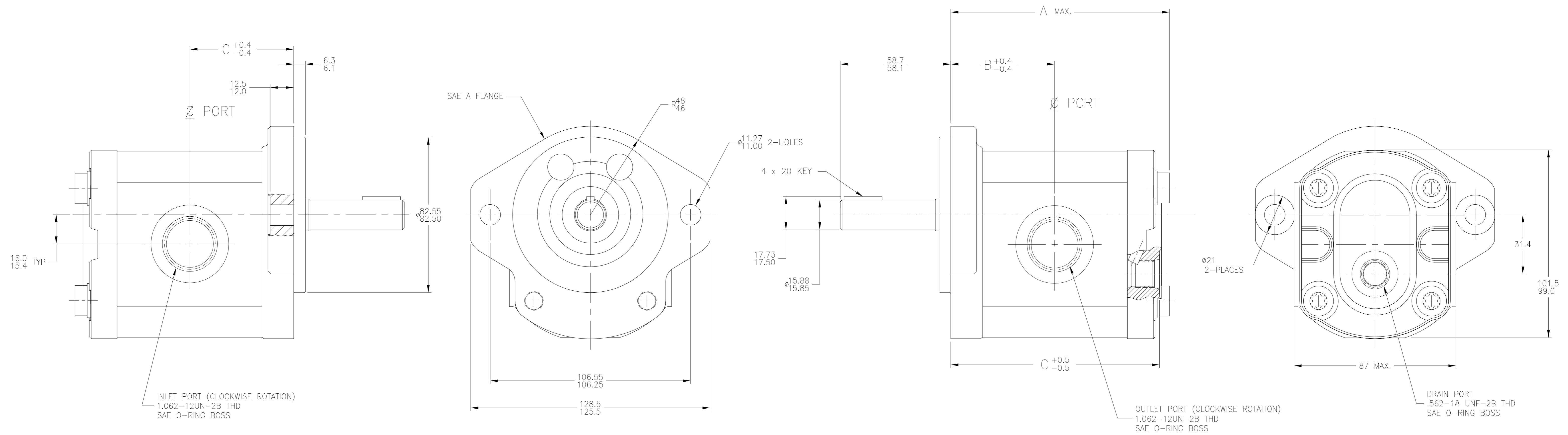


MODEL NUMBER	CATALOG NUMBER	DISPLACEMENT	RATED CAPACITY Δ	MAX CONTINUOUS PRESSURE	MAX ROTATIONAL SPEED	A DIM.	B DIM.	C DIM.
		CM ³ /REV	LITERS/MIN	BAR	RPM			
9 511 290 013	AZ-M-F-12-008-UQR12ML-S0022	8.2	18.0	210	4000	91.6	43.2	85.8
9 511 290 014	AZ-M-F-12-011-UQR12ML-S0022	11.3	24.3	210	3500	96.6	45.7	90.8
9 511 290 015	AZ-M-F-12-014-UQR12ML-S0022	14.4	30.7	210	3000	101.6	48.2	95.8
9 511 290 016	AZ-M-F-12-016-UQR12ML-S0022	16.5	34.5	210	3000	105.0	49.9	99.2
9 511 290 017	AZ-M-F-12-019-UQR12ML-S0022	19.6	41.3	180	3000	110.0	52.4	104.2
9 511 290 018	AZ-M-F-12-022-UQR12ML-S0022	22.9	47.9	180	3000	115.4	55.1	109.6

REV	DESCRIPTION	DATE	BY	CKD
	RELEASE TO PRODUCTION (CRR0449)	04-22-03	D.N.	GRJ
A	1.) ADDED DRAIN LINE PRESSURE NOTE (CRR0911)	05-28-04	JPC	D.N.
A	2.) "INPUT" FLOW WAS "OUTPUT", NOTE 3 (CRR0911)	05-28-04	JPC	D.N.



GENERAL NOTES:

- METRIC LINEAR MEASUREMENTS ARE IN MILLIMETERS
- ROTATION : BI-ROTATIONAL
- Δ INPUT FLOWS ARE AT 2000 RPM & MAXIMUM RATED PRESSURE USING SAE NO. 10 OIL AT 48°C
- INLET AND OUTLET PORTS CALL-OUT SHOWN FOR CLOCKWISE ROTATION. INLET AND OUTLET WOULD BE REVERSED FOR COUNTERCLOCKWISE ROTATION.
- DRAIN LINE PRESSURE NOT TO EXCEED 3 BAR.

DO NOT SCALE UNLESS OTHERWISE SPECIFIED: TOLERANCES PER DIN 7186	DRN D.N. 03-27-03	DATE 03-27-03	DESCRIPTION	SCALE FULL
LINEAR DIMENSION TOL. 0- 4= ±0.1 6- 30= ±0.2 30- 120= ±0.3 120- 400= ±0.5 400-1000= ±0.8 ANGLES = ± 1'	APPD GRJ	DATE 04-25-03	TITLE MOTOR-GEAR, INSTALLATION	
THIRD ANGLE PROJECTION	REF. 9510 290 133	ENG. NO. 9 511 290 013TAB	SHEET 1 OF 1	
	CAD-ORIGINAL	REV. A	MATERIAL	
	Revisions thru CAD Only			
	ALL PROPRIETARY RIGHTS IN THE SUBJECT MATTER HEREOF ARE RESERVED, AND NO PERMISSION IS GRANTED TO REPRODUCE THIS PRINT IN WHOLE OR PART, OR TO DISCLOSE ANY OF THE INFORMATION UPON IT TO OTHERS.			
	Rexroth Bosch Group			
	WOOSTER, OHIO 44691			