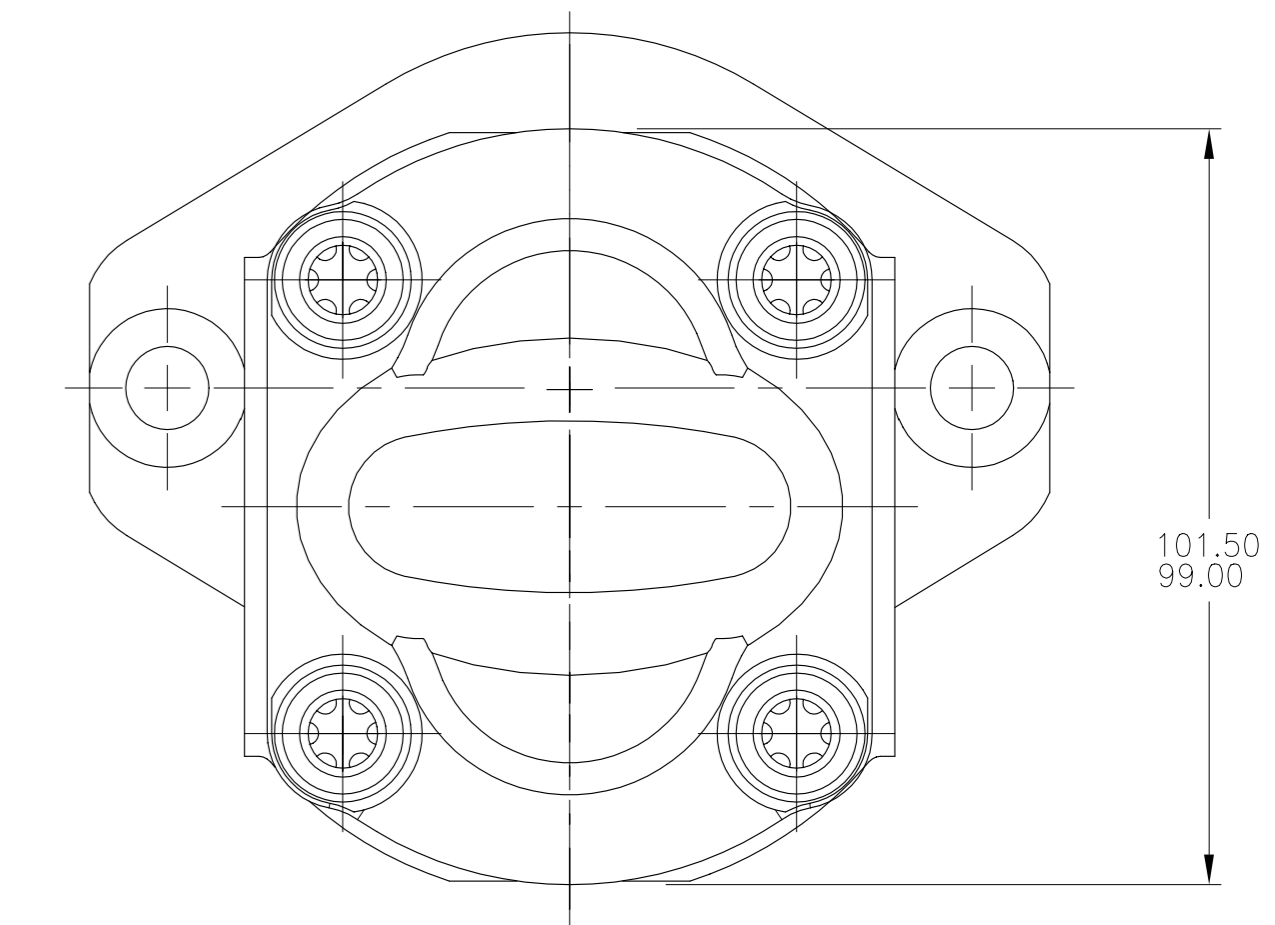
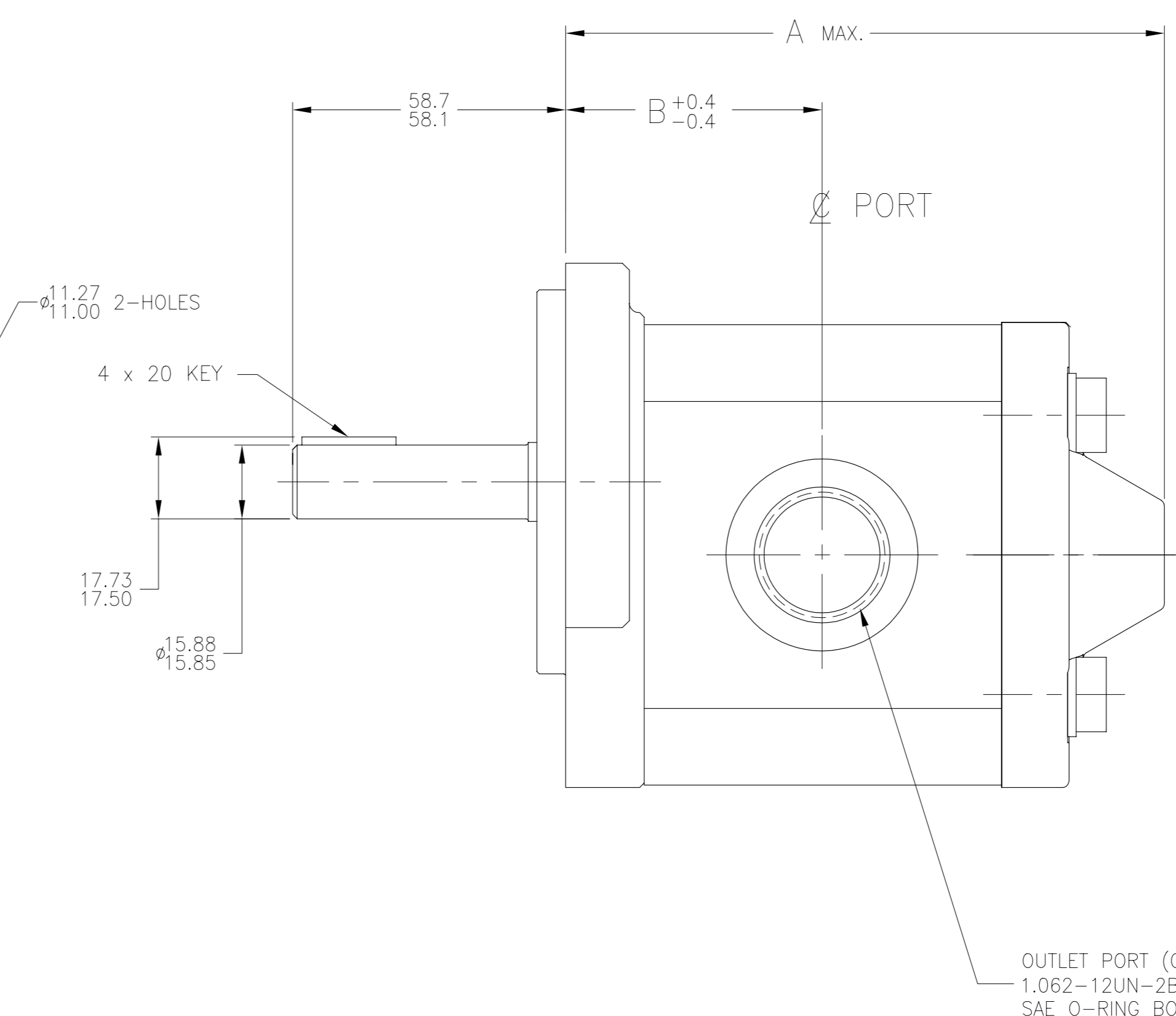
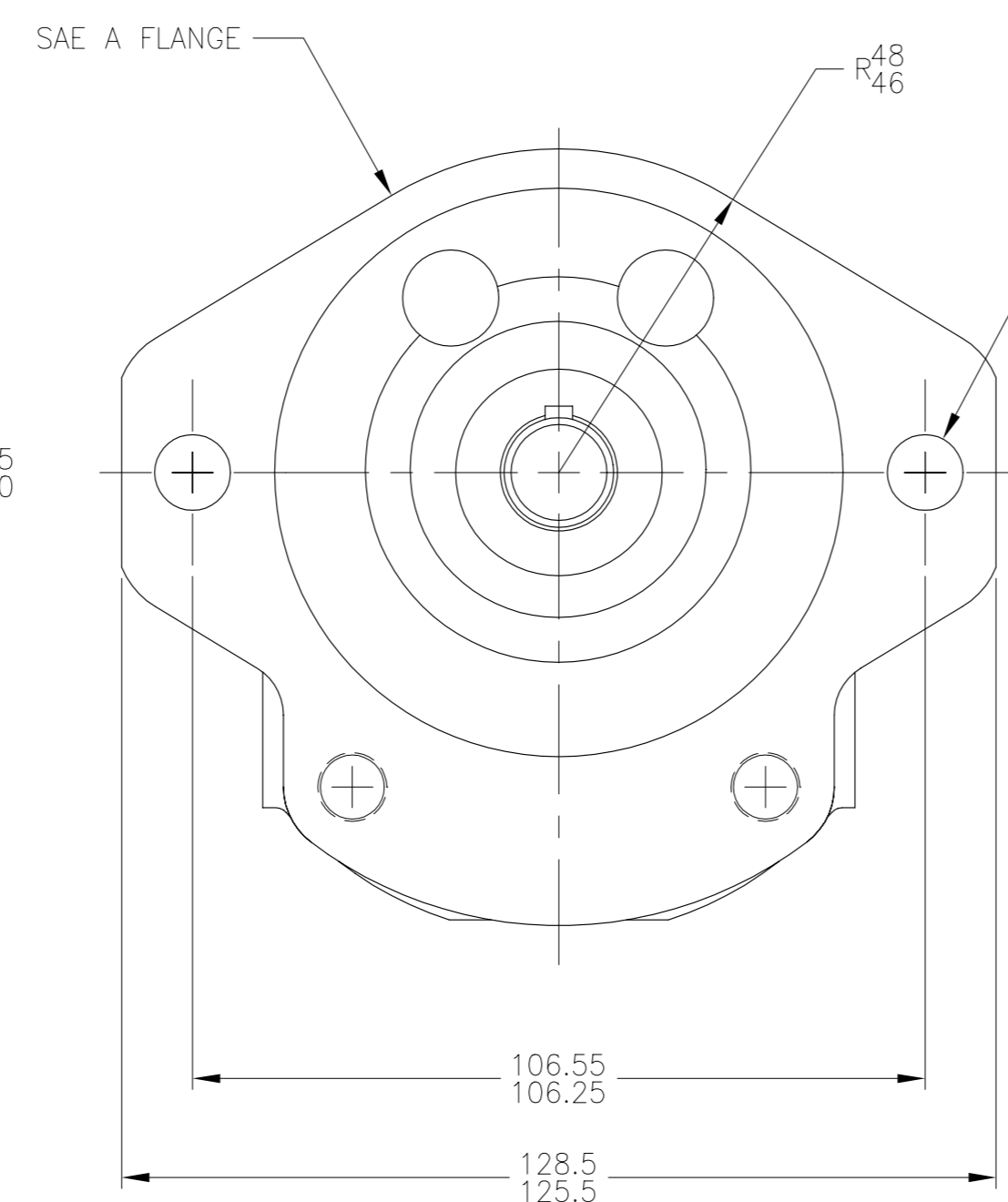
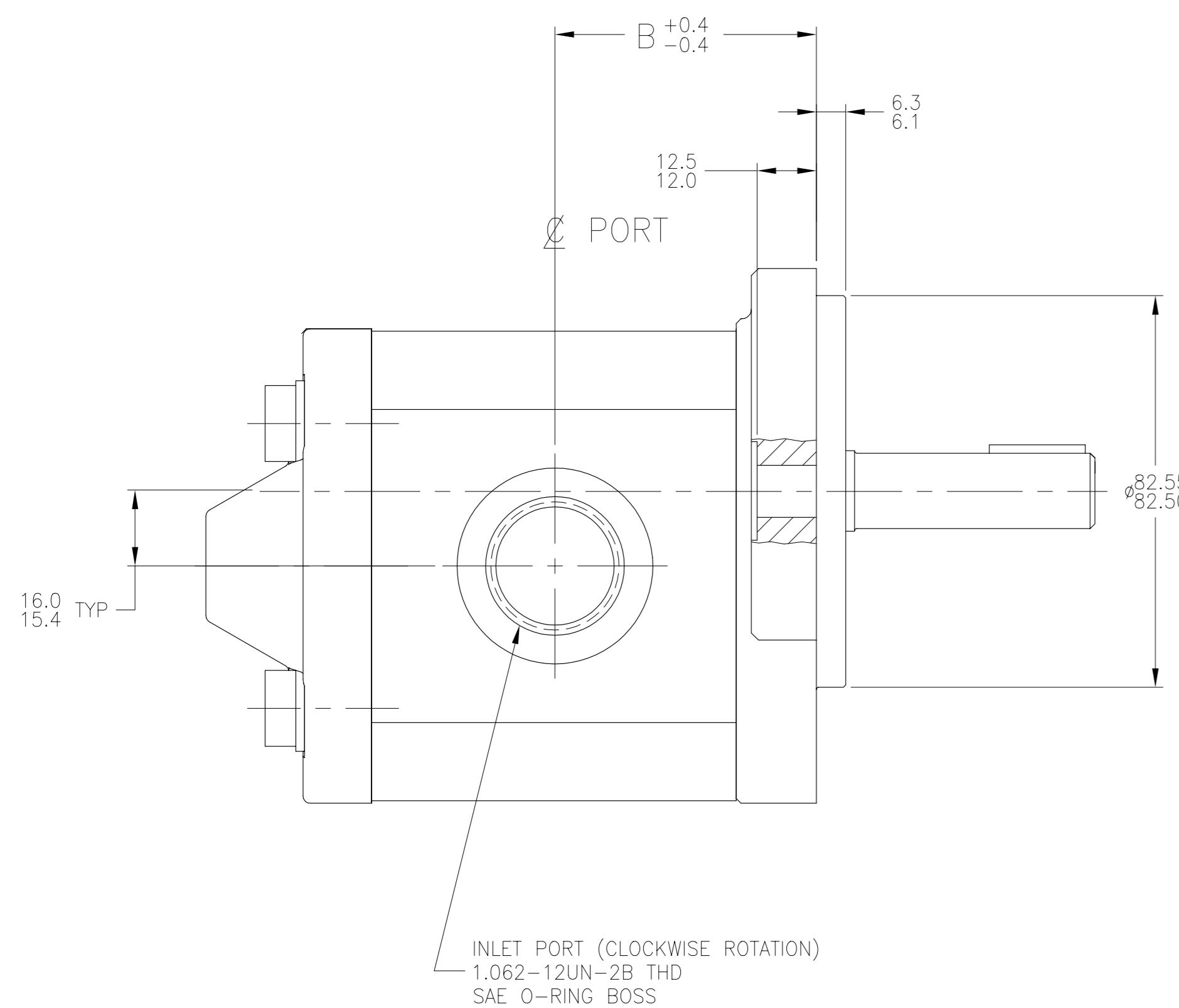


MODEL NUMBER	CATALOG NUMBER	DISPLACEMENT	RATED CAPACITY Δ	MAX CONTINUOUS PRESSURE	MAX ROTATIONAL SPEED	A DIM.	B DIM.
		CM ³ /REV	LITERS/MIN	BAR	RPM		
9 511 290 031	AZ-M-F-12-008-UQR12MB-S0030	8.2	18.0	210	4000	105.7	43.2
9 511 290 032	AZ-M-F-12-011-UQR12MB-S0030	11.3	24.3	210	3500	110.7	45.7
9 511 290 033	AZ-M-F-12-014-UQR12MB-S0030	14.4	30.7	210	3000	115.7	48.2
9 511 290 034	AZ-M-F-12-016-UQR12MB-S0030	16.5	34.5	210	3000	119.1	49.9
9 511 290 035	AZ-M-F-12-019-UQR12MB-S0030	19.6	41.3	180	3000	124.1	52.4
9 511 290 036	AZ-M-F-12-022-UQR12MB-S0030	22.9	47.9	180	3000	129.5	55.1

REV	DESCRIPTION	DATE	BY	CKD
	RELEASE TO PRODUCTION	(CRR0449) 04-24-03	D.N.	GFB



GENERAL NOTES:

- METRIC LINEAR MEASUREMENTS ARE IN MILLIMETERS
- ROTATION : BI-ROTATIONAL
- Δ OUTPUT FLOWS ARE AT 2000 RPM & MAXIMUM RATED PRESSURE USING SAE NO. 10 OIL AT 48°C
- INLET AND OUTLET PORTS CALL-OUT SHOWN FOR CLOCKWISE ROTATION. INLET AND OUTLET WOULD BE REVERSED FOR COUNTERCLOCKWISE ROTATION.
- MOTORS ARE EQUIPPED WITH INTERNAL CHECK VALVES, THEREFORE NO EXTERNAL DRAIN LINE IS REQUIRED. MOTORS SHOULD NOT BE USED IN SERIES APPLICATIONS.
- MOTOR OUTLET PRESSURE MUST NOT EXCEED 3 BAR CONTINUOUS PRESSURE.

DO NOT SCALE UNLESS OTHERWISE SPECIFIED: TOLERANCES PER DIN 7186	DRN D.N. 04-24-03	DATE 06-20-03	DESCRIPTION MOTOR-GEAR, INSTALLATION	SCALE FULL
LINEAR DIMENSION TOL.	APPD GFB	DATE 06-20-03	TITLE MOTOR-GEAR, INSTALLATION	SHEET 1 OF 1
0- 4= ±0.1	REF. 9510 290 133	ENG. NO. 9 511 290 031TAB	REV. CAD-ORIGINAL	OF 1
6- 30= ±0.2	CAD-ORIGINAL	Revisions thru CAD Only	MATERIAL	
30- 120= ±0.3				
120- 400= ±0.5				
400-1000= ±0.8				
ANGLES = ± 1°				
METRIC				
THIRD ANGLE PROJECTION				

ALL PROPRIETARY RIGHTS IN THE SUBJECT MATTER HEREOF ARE RESERVED, AND NO PERMISSION IS GRANTED TO REPRODUCE THIS PRINT IN WHOLE OR PART, OR TO DISCLOSE ANY OF THE INFORMATION UPON IT TO OTHERS.

Rexroth
Bosch Group
WOOSTER, OHIO 44691