

Cylinder accessories → Handling connection kits

Easy-2-Combine, Connection kit

► For combination: RCM-...-AP / GSP ► with air duct



00123233

Threaded pins 2)
Centering sleeve
Subbase
Screws 1)

Steel, black oxidized
Stainless steel
Aluminum, anodized
Steel, galvanized

1) ISO 4762:2004
2) DIN EN ISO 4027:2004

Technical Remarks

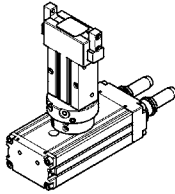
- The product is a part of the EasyHandling system.

Easy-2-Combine basic	Easy-2-Combine add-on part	Easy-2-Combine kit	Weight	Part No.
			[kg]	
RCM-08	GSP-P-08	CK1-RO-106	0.03	R412005785
	GSP-A-10, GSP-P-10, GSP-R-10	CK1-RO-107		R412005786
RCM-12	GSP-A-10, GSP-P-10, GSP-R-10	CK1-RO-108	0.04	R412005787
	GSP-A-16, GSP-P-16, GSP-R-16	CK1-RO-109		R412005788
RCM-16	GSP-A-16, GSP-P-16, GSP-R-16	CK1-RO-110	0.06	R412005789
	GSP-Z-16	CK1-RO-116	0.05	R412005796
	GSP-P-20	CK1-RO-111	0.08	R412005790
	GSP-A-25, GSP-R-25	CK1-RO-121	0.08	R412005801
RCM-20	GSP-Z-16	CK1-RO-117	0.06	R412005797
	GSP-P-20	CK1-RO-112	0.07	R412005791
	GSP-A-25, GSP-P-25, GSP-R-25	CK1-RO-113	0.07	R412005792
	GSP-A-32, GSP-R-32	CK1-RO-115	0.11	R412005794
RCM-25	GSP-Z-32	CK1-RO-118	0.1	R412005798
	GSP-P-25	CK1-RO-114	0.08	R412005793
	GSP-A-32, GSP-R-32	CK1-RO-122	0.17	R412005802
	GSP-Z-32	CK1-RO-119	0.16	R412005799
	GSP-Z-50	CK1-RO-120	0.19	R412005800

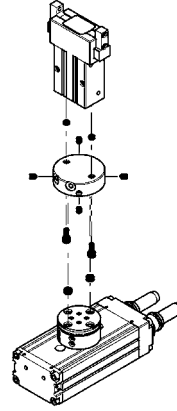
Cylinder accessories → Handling connection kits

Easy-2-Combine, Connection kit

► For combination: RCM-...-AP / GSP ► with air duct

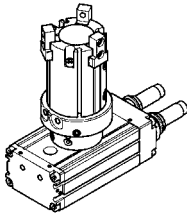
**flange mounting: GSP-A/-P/-R**

00123234

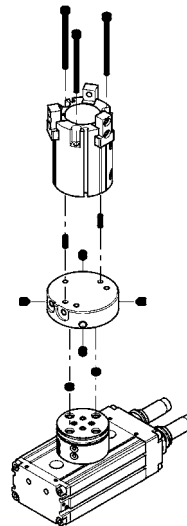


00123235

Note the positions of the air duct connections on the rotary flange (rotary compact module, RCM-...-AP series). Fittings and pipes not included in scope of delivery! Use appropriate plastic fittings, QR1 mini series and pipes, TU... series, from Chapter 12, assembly material.

flange mounting: GSP-Z

00123236



00123237

Note the positions of the air duct connections on the rotary flange (rotary compact module, RCM-...-AP series). Fittings and pipes not included in scope of delivery! Use appropriate plastic fittings, QR1 mini series and pipes, TU... series, from Chapter 12, assembly material.

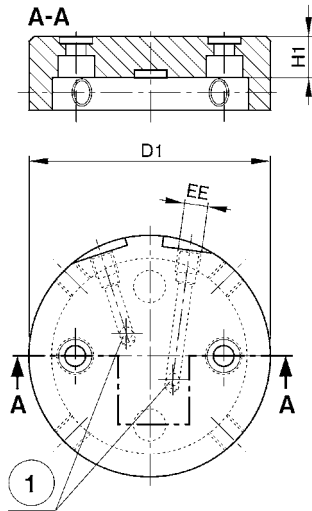
Cylinder accessories → Handling connection kits

Easy-2-Combine, Connection kit

► For combination: RCM-...-AP / GSP ► with air duct

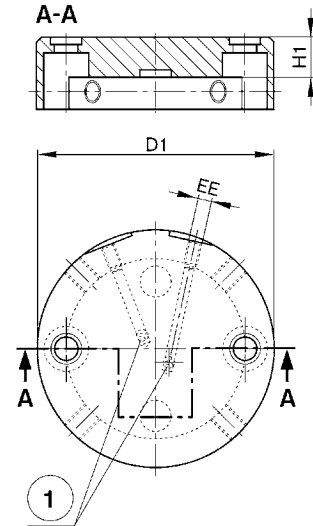


CK1-RO-106 / ... / -112



00123238

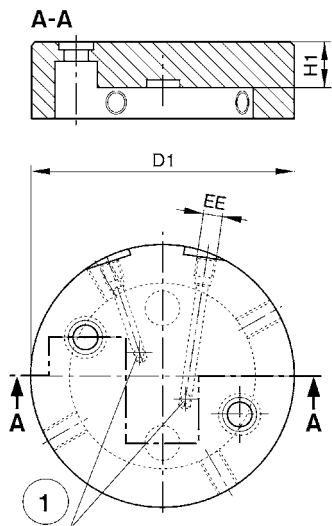
CK1-RO-113 / -114 / -121



00123239

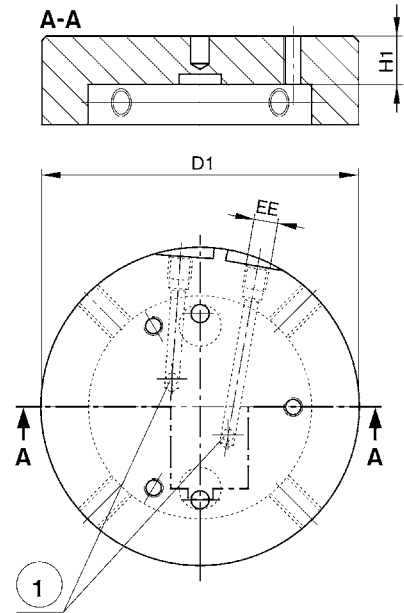
1) "air duct" connections

CK1-RO-115 / -122



00123240

CK1-RO-116 / -117 / -119



00123241

1) "air duct" connections

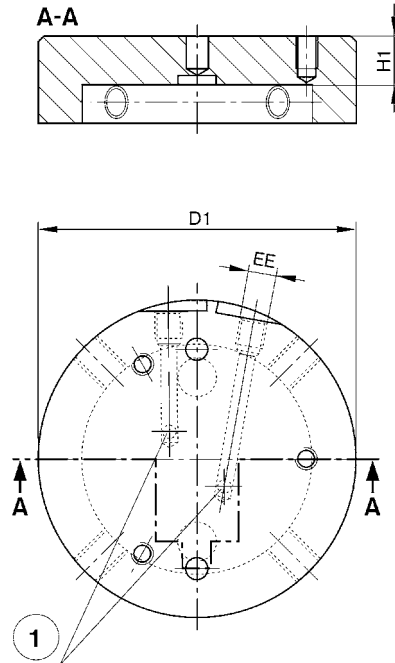
Cylinder accessories → Handling connection kits

Easy-2-Combine, Connection kit

► For combination: RCM...-AP / GSP ► with air duct



CK1-RO-118 / -120



00123242

1) "air duct" connections

Easy-2-Combine kit	D1	EE	H1						
CK1-RO-106	35	M3	6,9						
CK1-RO-107	35	M3	6,9						
CK1-RO-108	43	M3	6,9						
CK1-RO-109	43	M3	6,9						
CK1-RO-110	53	M3	6,9						
CK1-RO-116	48	M5	6,9						
CK1-RO-111	53	M3	8,9						
CK1-RO-121	53	M3	8,9						
CK1-RO-117	52	M3	6,9						
CK1-RO-112	52	M5	8,9						
CK1-RO-113	52	M5	8,9						
CK1-RO-115	58	M5	10,9						
CK1-RO-118	58	M5	8,9						
CK1-RO-114	58	M5	8,9						
CK1-RO-122	68	M5	11,9						
CK1-RO-119	68	M5	10,3						
CK1-RO-120	70	M5	10,3						

Scope of delivery: A) connection plate B) screws C) centering sleeves D) threaded pins

Easy-2-Combine kit	A	B 1)	C	D 2)			
CK1-RO-106	1 x	2 x M3x10	4 x Ø 5	4 x M4x5			

1) tightening torque M3 = 2,2 Nm ± 10%; M4 = 3,5 Nm ± 10%; M5 = 6,0 Nm ± 10%; M6 = 10 Nm ± 10%
2) tightening torque M4 = 1,2 Nm ± 10%; M5 = 2,8 Nm ± 10%; M6 = 4,8 Nm ± 10%

Cylinder accessories → Handling connection kits

Easy-2-Combine, Connection kit

► For combination: RCM-...-AP / GSP ► with air duct



Easy-2-Combine kit	A	B 1)	C	D 2)			
CK1-RO-107	1 x	2 x M3x10	4 x Ø 5	4 x M4x5			
CK1-RO-108	1 x	2 x M3x10	2 x Ø 5; 2 x Ø 7	4 x M5x6			
CK1-RO-109	1 x	2 x M3x10	2 x Ø 5; 2 x Ø 7	4 x M5x6			
CK1-RO-110	1 x	2 x M3x10	2 x Ø 5; 2 x Ø 7	4 x M5x6			
CK1-RO-116	1 x	3 x M3x45	2 x Ø 7	4 x M5x6			
CK1-RO-111	1 x	2 x M4x12	4 x Ø 7	4 x M5x6			
CK1-RO-121	1 x	2 x M5x12	4 x Ø 7	4 x M5x6			
CK1-RO-117	1 x	3 x M3x45	2 x Ø 7	4 x M6x6			
CK1-RO-112	1 x	2 x M4x12	4 x Ø 7	4 x M6x6			
CK1-RO-113	1 x	2 x M5x12	4 x Ø 7	4 x M6x6			
CK1-RO-115	1 x	2 x M6x16	2 x Ø 7; 2 x Ø 9	4 x M6x6			
CK1-RO-118	1 x	3 x M4x55	2 x Ø 7	4 x M6x6			
CK1-RO-114	1 x	2 x M5x12	2 x Ø 7; 2 x Ø 9	4 x M6x6			
CK1-RO-122	1 x	2 x M6x16	4 x Ø 9	4 x M6x10			
CK1-RO-119	1 x	3 x M4x55	2 x Ø 9	4 x M6x6			
CK1-RO-120	1 x	3 x M6x75	2 x Ø 9	4 x M6x6			

1) tightening torque M3 = 2,2 Nm ± 10%; M4 = 3,5 Nm ± 10%; M5 = 6,0 Nm ± 10%; M6 = 10 Nm ± 10%
2) tightening torque M4 = 1,2 Nm ± 10%; M5 = 2,8 Nm ± 10%; M6 = 4,8 Nm ± 10%