

Cylinder accessories → Handling connection kits

Easy-2-Combine, Connection kit

► For combination: MSC / GSP



00120645

centering pins 2)
Centering sleeve
Subbase
Screws 1)

Steel, hardened
Stainless steel
Aluminum, anodized
Steel, galvanized

1) ISO 4762:2004, DIN 6912:2002, DIN 7984:2002
2) ISO 2338:1997

Technical Remarks

- The product is a part of the EasyHandling system.

Easy-2-Combine basic	Easy-2-Combine add-on part	Easy-2-Combine kit	Weight	Part No.
			[kg]	
MSC-08	GSP-P-08	CK1-LI-55	0.03	R412000734
	GSP-A-10, GSP-P-10, GSP-R-10	CK1-LI-56		R412000735
MSC-12	GSP-A-10, GSP-P-10, GSP-R-10	CK1-LI-57	0.04	R412000759
	GSP-A-16, GSP-P-16, GSP-R-16	CK1-LI-59	0.04	R412000738
	GSP-Z-16	CK1-LI-71	0.05	R412000750
MSC-16	GSP-A-10, GSP-P-10, GSP-R-10	CK1-LI-58	0.07	R412000737
	GSP-A-16, GSP-P-16, GSP-R-16	CK1-LI-60	0.07	R412000739
	GSP-Z-16	CK1-LI-72	0.08	R412000751
	GSP-P-20	CK1-LI-62	0.07	R412000760
	GSP-A-25, GSP-R-25	CK1-LI-68	0.08	R412000747
MSC-20	GSP-A-16, GSP-P-16, GSP-R-16	CK1-LI-61	0.11	R412000740
	GSP-Z-16	CK1-LI-73	0.11	R412000752
	GSP-P-20	CK1-LI-63	0.11	R412000742
	GSP-A-25, GSP-P-25, GSP-R-25	CK1-LI-65	0.11	R412000744
	GSP-A-32, GSP-R-32	CK1-LI-69	0.14	R412000748
	GSP-Z-32	CK1-LI-74	0.12	R412000753
MSC-25	GSP-P-20	CK1-LI-64	0.19	R412000743
	GSP-A-25, GSP-P-25, GSP-R-25	CK1-LI-66	0.19	R412000745
	GSP-A-32, GSP-R-32	CK1-LI-70	0.23	R412000749
	GSP-Z-32	CK1-LI-75	0.21	R412000754
	GSP-Z-50	CK1-LI-76	0.33	R412000755

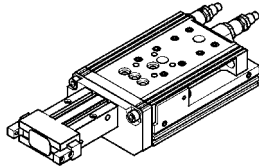
Cylinder accessories → Handling connection kits

Easy-2-Combine, Connection kit

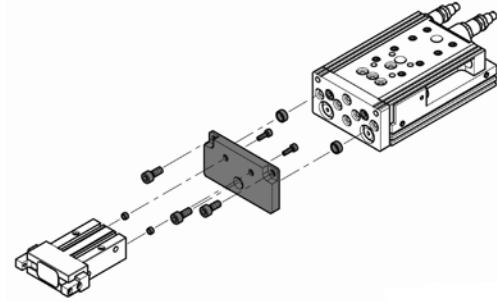
► For combination: MSC / GSP



front mounting: GSP-A/-P/-R

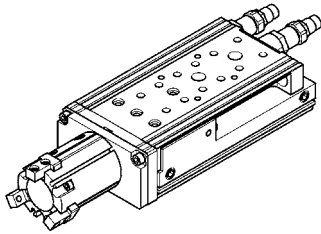


00120595

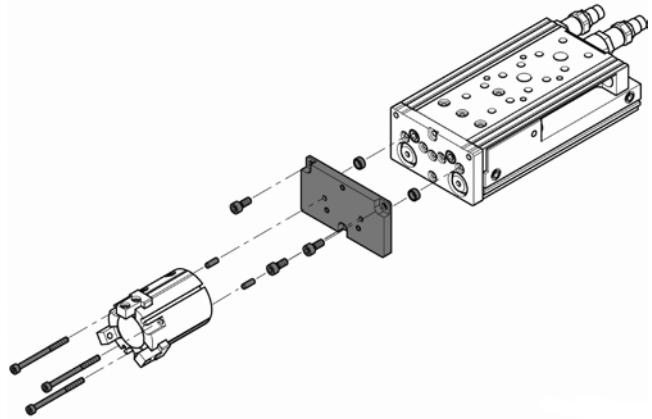


00120596

front mounting: GSP-Z

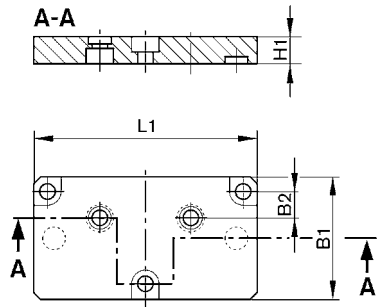


00120613



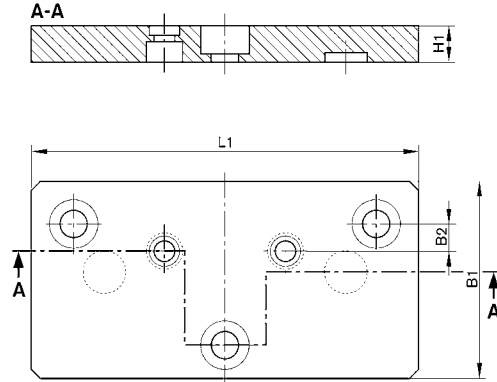
00120614

CK1-LI-55 / -56 / -61 / -63 / -65



00120622

CK1-LI-57 / -58 / -59



00120624

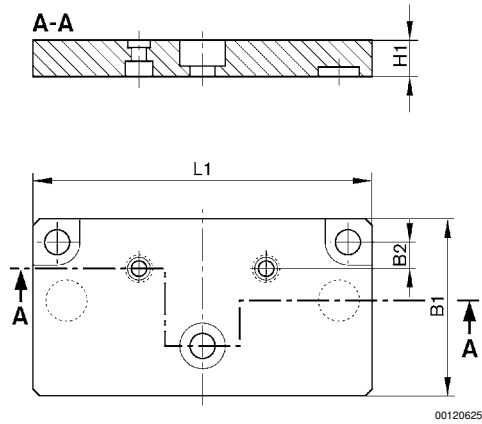
Cylinder accessories → Handling connection kits

Easy-2-Combine, Connection kit

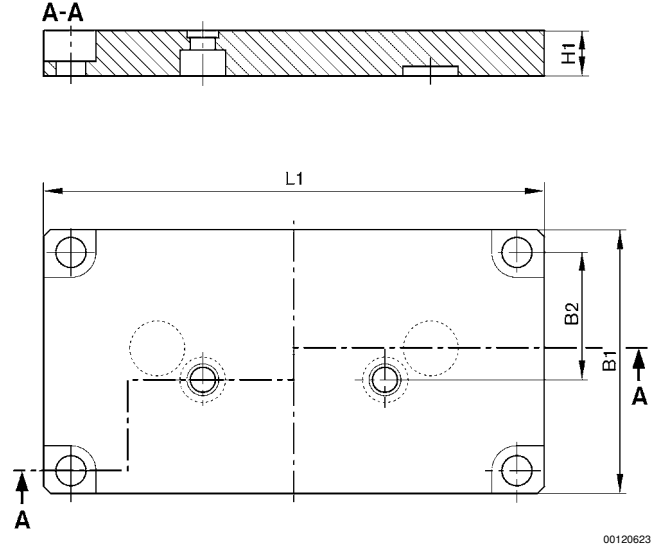
► For combination: MSC / GSP



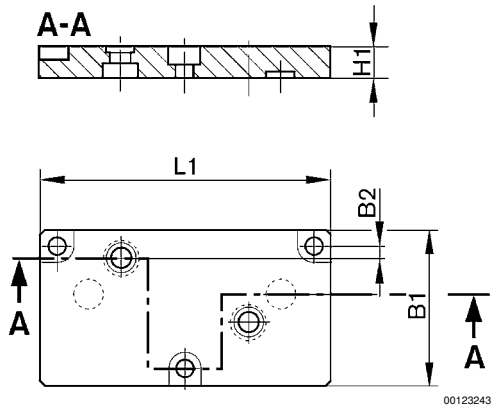
CK1-LI-60 / -62 / -68



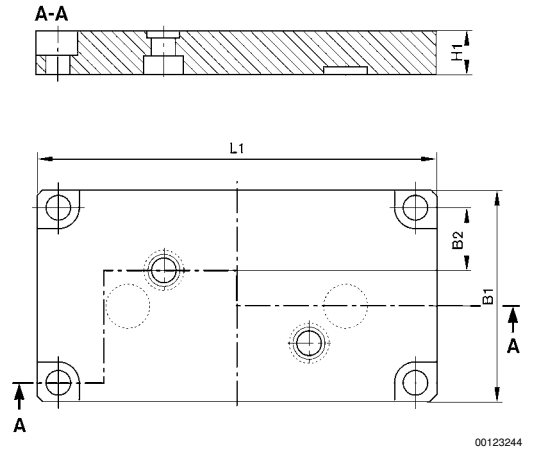
CK1-LI-64 / -66



CK1-LI-69



CK1-LI-70



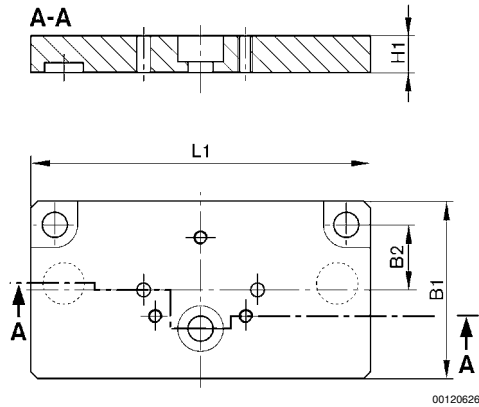
Cylinder accessories → Handling connection kits

Easy-2-Combine, Connection kit

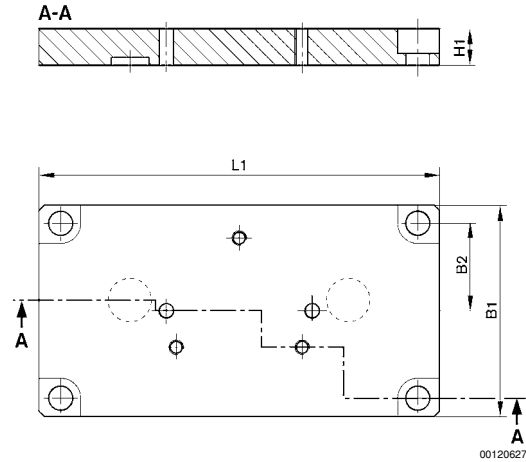
► For combination: MSC / GSP



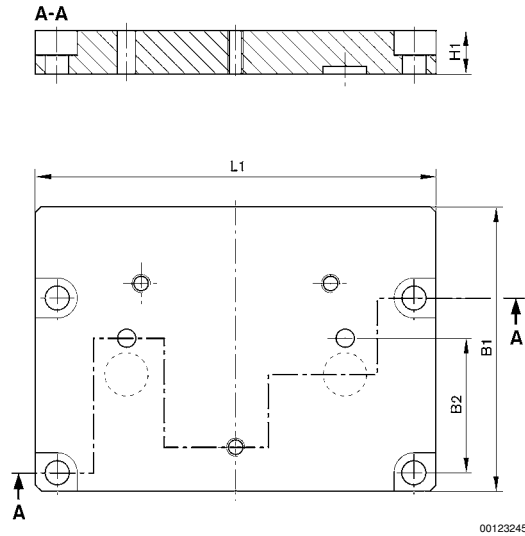
CK1-LI-71 / ... / -74



CK1-LI-75



CK1-LI-76



Easy-2-Combine kit	B1	B2	H1	L1				
CK1-LI-55	27	5.8	6	49				
CK1-LI-56	27	5.8	6	49				
CK1-LI-57	32.5	4.5	6	64				
CK1-LI-59	32.5	4.5	6	64				
CK1-LI-71	32.5	9.25	6	64				
CK1-LI-58	39	6.8	8	74.6				
CK1-LI-60	39	5.8	8	74.6				
CK1-LI-72	39	14.3	8	74.6				
CK1-LI-62	39	5.8	8	74.9				
CK1-LI-68	39	8.8	8	74.6				
CK1-LI-61	49	15.8	8	91				
CK1-LI-73	49	16.8	8	91				
CK1-LI-63	49	15.8	8	91				

Cylinder accessories → Handling connection kits

Easy-2-Combine, Connection kit

► For combination: MSC / GSP



Easy-2-Combine kit	B1	B2	H1	L1				
CK1-LI-65	49	15.8	8	91				
CK1-LI-69	49	3.8	10	91				
CK1-LI-74	49	19.3	8	91				
CK1-LI-64	58	25	10	110				
CK1-LI-66	58	28	10	110				
CK1-LI-70	58	11	12	110				
CK1-LI-75	58	24	10	110				
CK1-LI-76	78	37	12	110				

Scope of delivery: A) connection plate B) screws C) centering sleeves D) centering pins

Easy-2-Combine kit	A	B 1)	C	D
CK1-LI-55	1 x	5 x M3x8	4 x Ø 5	-
CK1-LI-56	1 x	5 x M3x8	4 x Ø 5	-
CK1-LI-57	1 x	3 x M4x8; 2 x M3x8	2 x Ø 5; 2 x Ø 7	-
CK1-LI-59	1 x	2 x M3x8; 3 x M4x8	2 x Ø 5; 2 x Ø 7	-
CK1-LI-71	1 x	3 x M3x45; 4 x M4x8	2 x Ø 7	2 x 3 m6x8
CK1-LI-58	1 x	2 x M3x10; 3 x M5x12	2 x Ø 5; 2 x Ø 9	-
CK1-LI-60	1 x	2 x M3x10; 3 x M5x12	2 x Ø 5; 2 x Ø 9	-
CK1-LI-72	1 x	3 x M3x45; 3 x M5x12	2 x Ø 9	2 x 3 m6x8
CK1-LI-62	1 x	2 x M4x10; 3 x M5x12	2 x Ø 7; 2 x Ø 9	-
CK1-LI-68	1 x	2 x M5x12 (DIN 7984:2002); 3 x M5x12	2 x Ø 7; 2 x Ø 9	-
CK1-LI-61	1 x	2 x M3x10; 3 x M5x12	2 x Ø 5; 2 x Ø 9	-
CK1-LI-73	1 x	3 x M3x45; 3 x M5x12	2 x Ø 9	2 x 3 m6x8
CK1-LI-63	1 x	2 x M4x10; 3 x M5x12	2 x Ø 7; 2 x Ø 9	-
CK1-LI-65	1 x	5 x M5x12	2 x Ø 7; 2 x Ø 9	-
CK1-LI-69	1 x	2 x M6x16; 3 x M5x16	4 x Ø 9	-
CK1-LI-74	1 x	3 x M4x55; 3 x M5x12	2 x Ø 9	2 x 4 m6x12
CK1-LI-64	1 x	2 x M4x12; 4 x M6x12	2 x Ø 7; 2 x Ø 12	-
CK1-LI-66	1 x	2 x M5x12; 4 x M6x12	2 x Ø 7; 2 x Ø 12	-
CK1-LI-70	1 x	2 x M6x16 (DIN 6912:2002); 4 x M6x16	2 x Ø 9; 2 x Ø 12	-
CK1-LI-75	1 x	3 x M4x55; 4 x M6x12	2 x Ø 12	2 x 4 m6x12
CK1-LI-76	1 x	3 x M5x75; 4 x M6x16	2 x Ø 12	2 x 5 m6x12

1) tightening torque M3 = 2,2 Nm ± 10%; M4 = 3,5 Nm ± 10%; M5 = 6,0 Nm ± 10%; M6 = 10 Nm ± 10%