

Cylinder accessories → Handling connection kits

Easy-2-Combine, Connection kit

► For combination: GPC-E / GSP



00120641

- centering pins 2)
- Centering sleeve
- Subbase
- Screws 1)

- Steel, hardened
- Stainless steel
- Aluminum, anodized
- Steel, galvanized

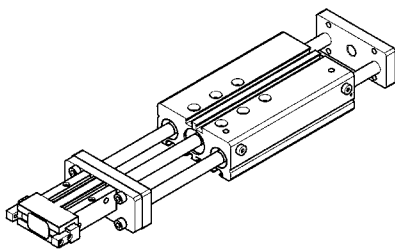
- 1) ISO 4762:2004
- 2) ISO 2338:1997

Technical Remarks

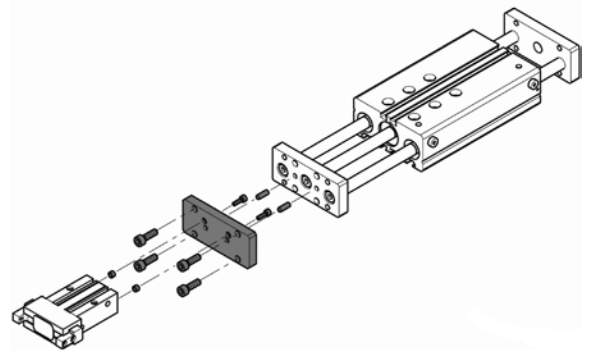
- The product is a part of the EasyHandling system.

Easy-2-Combine basic	Easy-2-Combine add-on part	Easy-2-Combine kit	Weight [kg]	Part No.
GPC-E-12	GSP-P-08	CK1-LI-26	0.04	R412000761
	GSP-A-10, GSP-P-10, GSP-R-10	CK1-LI-27		R412000762
GPC-E-16	GSP-A-10, GSP-P-10, GSP-R-10	CK1-LI-28	0.06	R412000763
	GSP-A-16, GSP-P-16, GSP-R-16	CK1-LI-29	0.05	R412000770
GPC-E-20	GSP-A-16, GSP-P-16, GSP-R-16	CK1-LI-30	0.07	R412000765

front mounting: GSP-A/-P/-R



00120587



00120588

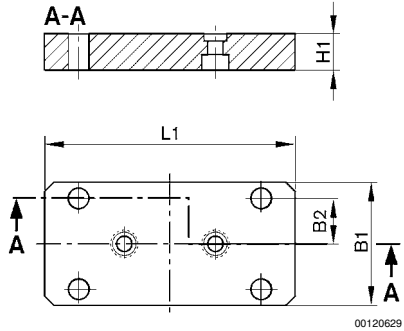
Cylinder accessories → Handling connection kits

Easy-2-Combine, Connection kit

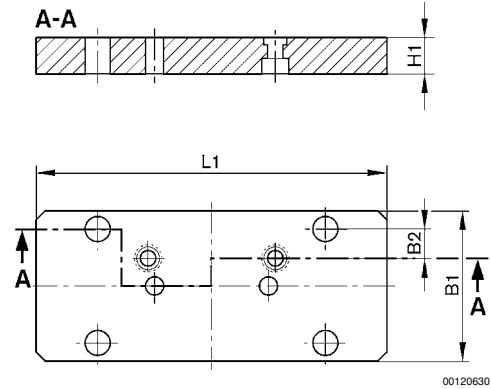
► For combination: GPC-E / GSP



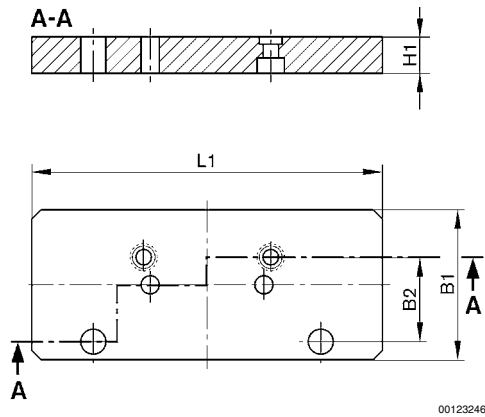
CK1-LI-26 / -27



CK1-LI-28 / -30



CK1-LI-29



Easy-2-Combine kit	B1	B2	H1	L1				
CK1-LI-26	27	10	8	55				
CK1-LI-27	27	10	8	55				
CK1-LI-28	30	4	8	65				
CK1-LI-29	30	14	8	65				
CK1-LI-30	33	6.5	8	77				

Scope of delivery: A) connection plate B) screws C) centering sleeves D) centering pins

Easy-2-Combine kit	A	B 1)	C	D			
CK1-LI-26	1 x	2 x M3x10; 4 x M4x16	2 x Ø 5	-			
CK1-LI-27	1 x	2 x M3x10; 4 x M4x16	2 x Ø 5	-			
CK1-LI-28	1 x	2 x M3x10; 4 x M4x16	2 x Ø 5	2 x 4 m6x12			
CK1-LI-29	1 x	2 x M3x10; 2 x M4x16	2 x Ø 5	2 x 4 m6x12			
CK1-LI-30	1 x	2 x M3x10; 4 x M5x16	2 x Ø 5	2 x 4 m6x12			

1) tightening torque M3 = 2,2 Nm ± 10%; M4 = 3,5 Nm ± 10%; M5 = 6,0 Nm ± 10%