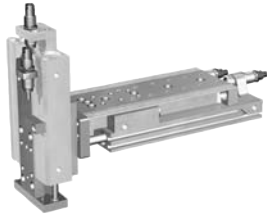


Cylinder accessories → Handling connection kits

Easy-2-Combine, Connection kit

► For combination: MSC / ZSC



00120638

- centering pins 2)
- Centering sleeve
- Subbase
- Screws 1)
- T-groove nut

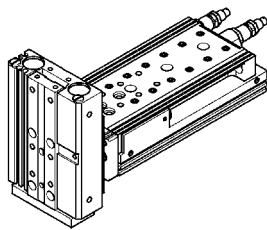
- Steel, hardened
- Stainless steel
- Aluminum, anodized
- Steel, galvanized
- Stainless steel; Steel, galvanized

- 1) ISO 4762:2004
- 2) ISO 2338:1997

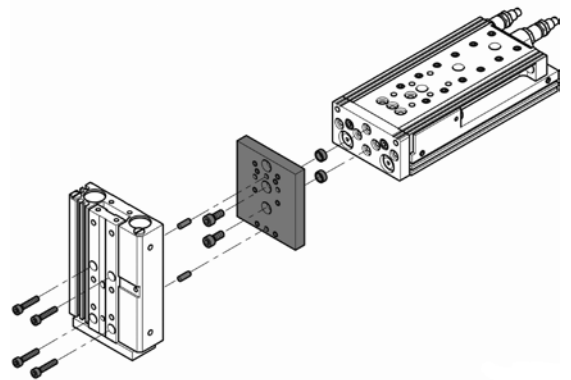
Technical Remarks	
■ The product is a part of the EasyHandling system.	

Easy-2-Combine basic	Easy-2-Combine add-on part	Easy-2-Combine kit	Weight [kg]	Part No.
MSC-08	ZSC-06	CK1-LI-12	0.07	R412004641
GPC-ST-12, GPC-ST-20, MSC-12, RMC-HE-16, RMC-HE-25, RTC-HD 16, RTC-HD 25	GPC-E-12, ZSC-10	CK1-LI-13	0.1	R412004665
GPC-ST-12, GPC-ST-20, GSU-16, MSC-16, MSC-20, RMC-HE-16, RMC-HE-25, RTC-CG 16	GPC-E-16, ZSC-16	CK1-LI-14	0.17	R412004661
GSU-25, MSC-25, RMC-HE-32, RTC-CG 32, RTC-HD 32, RTC-HD 40	GPC-E-20, ZSC-20	CK1-LI-15	0.26	R412004662
GSU-25, MSC-25, RTC-CG 32	ZSC-25	CK1-LI-16	0.3	R412004663

front mounting: longitudinal



00117719

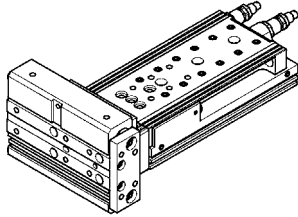


00117720

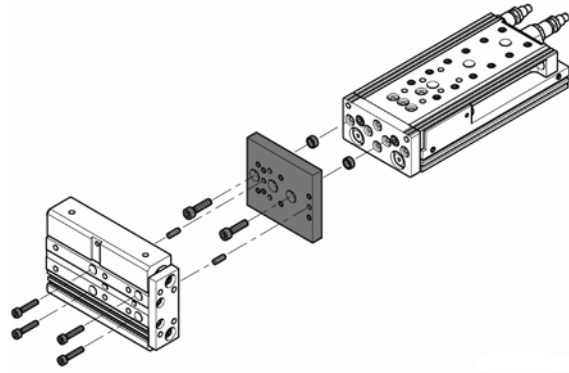
Cylinder accessories → Handling connection kits

Easy-2-Combine, Connection kit

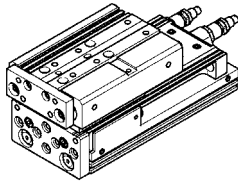
► For combination: MSC / ZSC

**front mounting: transverse**

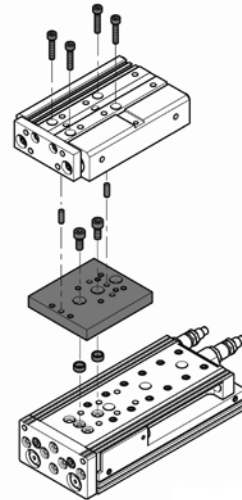
00117721



00117722

slide mounting: longitudinal

00117725



00120576

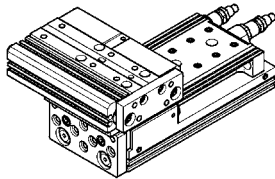
Cylinder accessories → Handling connection kits

Easy-2-Combine, Connection kit

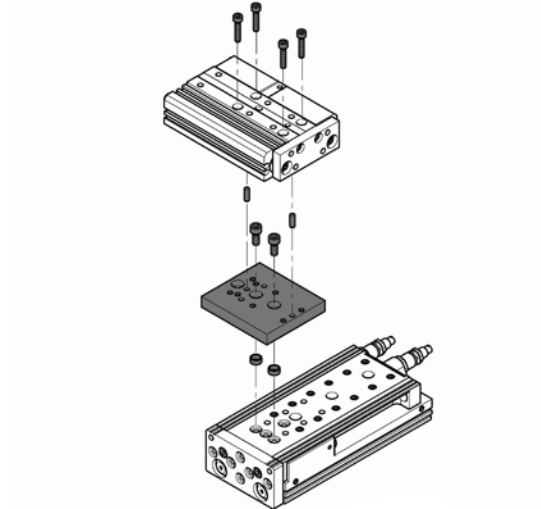
► For combination: MSC / ZSC



slide mounting: transverse

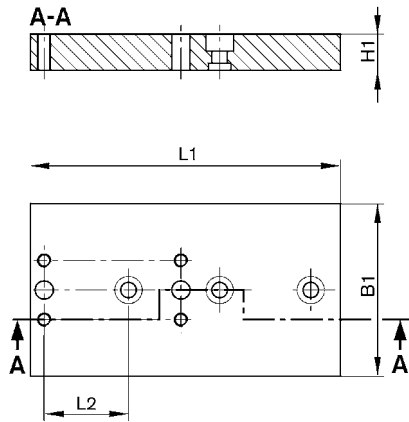


00117723



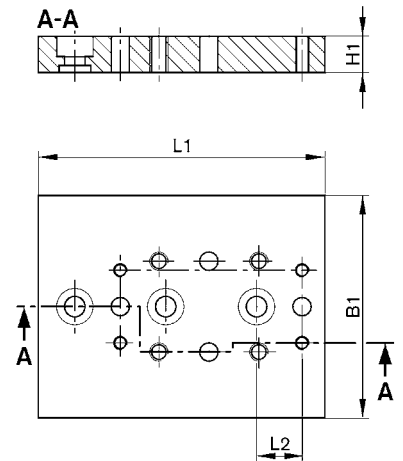
00117724

CK1-LI-12



00120632

CK1-LI-13



00120633

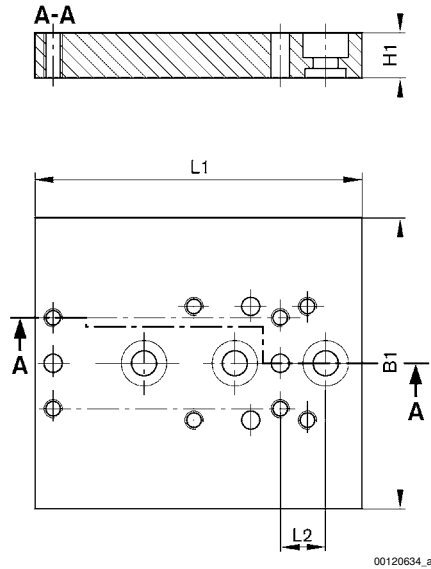
Cylinder accessories → Handling connection kits

Easy-2-Combine, Connection kit

► For combination: MSC / ZSC

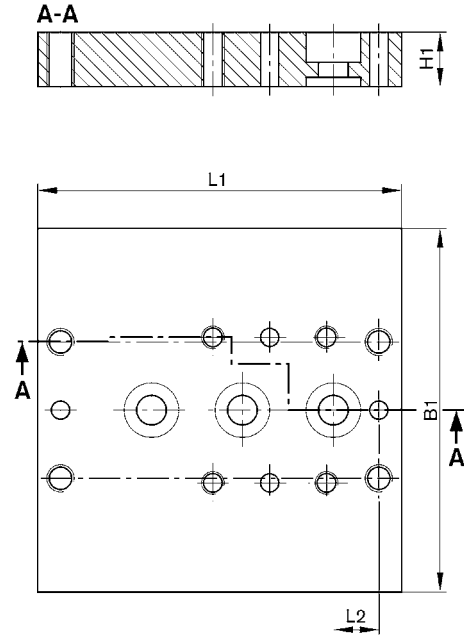


CK1-LI-14 / -15



00120634_a

CK1-LI-16



00120635

Easy-2-Combine kit	B1	H1	L1	L2				
CK1-LI-12	38	8	68	18.5				
CK1-LI-13	49	8	63	10				
CK1-LI-14	64	10	72	10				
CK1-LI-15	76	12	77.5	10				
CK1-LI-16	80	12	80	10				

Scope of delivery: A) connection plate B) screws C) centering sleeves D) centering pins E) sliding blocks

Easy-2-Combine kit	A	B 1)	C	D
CK1-LI-12	1 x	2 x M3x10; 4 x M3x16	2 x Ø 5	2 x 4 m6x12
CK1-LI-13	1 x	4 x M3x16; 4 x M4x10; 4 x M4x30	2 x Ø 7; 2 x Ø 9-7	2 x 4 m6x12
CK1-LI-14	1 x	4 x M4x20; 4 x M4x35; 2 x M5x10; 2 x M5x12; 2 x M5x14	6 x Ø 9	2 x 4 m6x12
CK1-LI-15	1 x	4 x M5x20; 4 x M5x40; 2 x M6x14; 4 x M6x16	4 x Ø 12; 2 x Ø 12-9	2 x 4 m6x12
CK1-LI-16	1 x	4 x M5x45; 4 x M6x16; 2 x M6x14; 4 x M6x25	6 x Ø 12	2 x 4 m6x12

Easy-2-Combine kit	E							
CK1-LI-12	-							
CK1-LI-13	2 x N6 / M4							
CK1-LI-14	2 x N6 / M5							
CK1-LI-15	2 x N8 / M6							
CK1-LI-16	2 x N8 / M6							

1) tightening torque M3 = 2,2 Nm ± 10%; M4 = 3,5 Nm ± 10%; M5 = 6,0 Nm ± 10%; M6 = 10 Nm ± 10%