

Gripper and vacuum technology → Non-contact transport system

**Non-contact transport system, Series NCT-AL**

► F = 0.9 - 6 N ► Ø 20 - 60 mm



PNCT\_004

Version	Bernoulli principle
Working pressure min./max.	1 bar / 7 bar
Ambient temperature min./max.	+5 °C / +60 °C
Medium	Compressed air
Max. particle size	0.01 µm
Oil content of compressed air	0 mg/m³

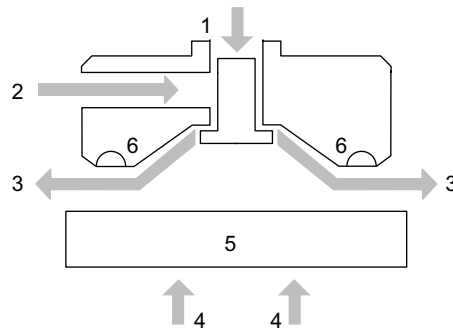
Materials:	
Housing	Aluminum, anodized
Stop	Silicone caoutchouc
Nozzle	Stainless steel
Compressed air connection	Brass, nickel-plated
Seals	Nitrile rubber

**Technical Remarks**

- The pressure dew point must be at least 15 °C under ambient and medium temperature and may not exceed 3 °C.
- Notice: This product may only be operated with oil-free, dry compressed air.

	Diameter	Holding force at 5 bar	Air consumption at 5 bar	Port	Weight	Part No.
	[mm]	[N]	[l/min]		[kg]	
	20	0.9	100	M5	0.02	<b>2650100010</b>
	30	1.3	100		0.03	<b>2650100020</b>
	40	2	110		0.05	<b>2650100030</b>
	60	6	210		0.12	<b>2650100040</b>

**Principle of operation**

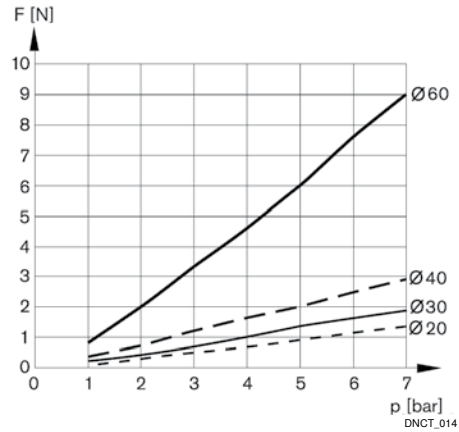
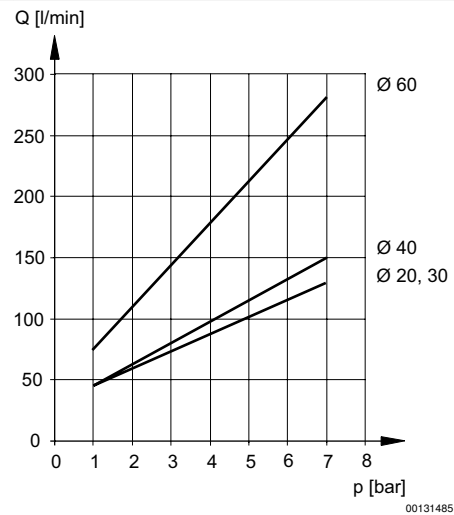
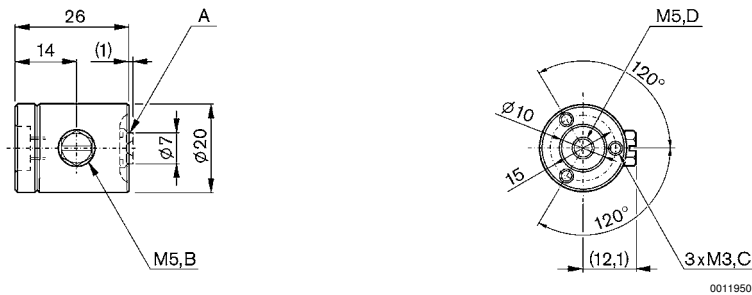


00138451

- 1) Compressed air connection
- 2) Alternative compressed air connection
- 3) Air flow
- 4) Lifting force
- 5) Object
- 6) Stop

## Gripper and vacuum technology → Non-contact transport system

## Non-contact transport system, Series NCT-AL

►  $F = 0.9 - 6 \text{ N}$  ►  $\varnothing 20 - 60 \text{ mm}$ Lifting force  $F$  dependent on working pressure  $p$ Air consumption  $Q$  depending on working pressure  $p$ Dimensions,  $\varnothing 20$ 

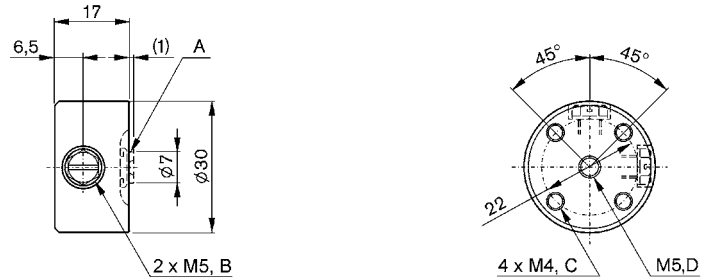
A=stop  
 B=alternative compressed air connection  
 C=depth=5mm  
 D=air connection

Gripper and vacuum technology → Non-contact transport system

**Non-contact transport system, Series NCT-AL**

▶ F = 0.9 - 6 N ▶ Ø 20 - 60 mm

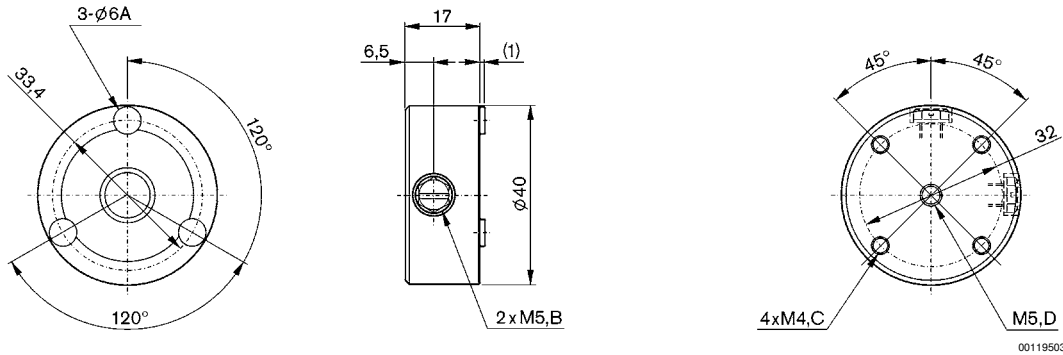
**Dimensions, Ø 30**



00119502

- A=stop
- B=alternative compressed air connection
- C=depth=5mm
- D=air connection

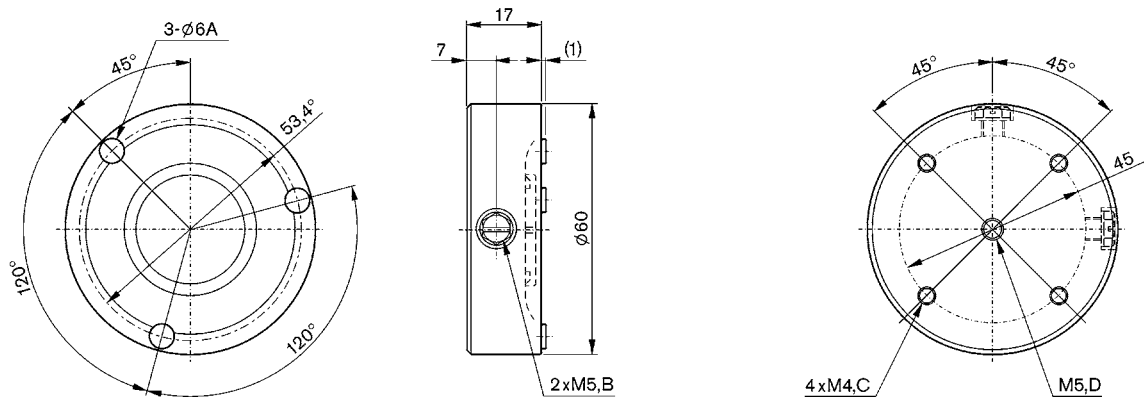
**Dimensions, Ø 40**



00119503

- A=stop (can be removed for contactless applications)
- B=alternative compressed air connections
- C=depth=5mm
- D=air connection

**Dimensions, Ø 60**



00119504

- A=stop (can be removed for contactless applications)
- B=alternative compressed air connections
- C=depth=5mm
- D=air connection