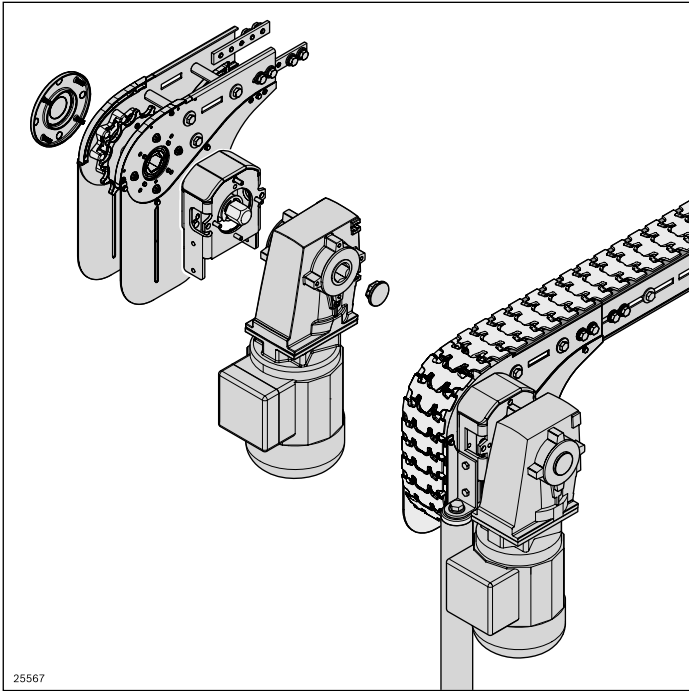


# Innovative drive concept



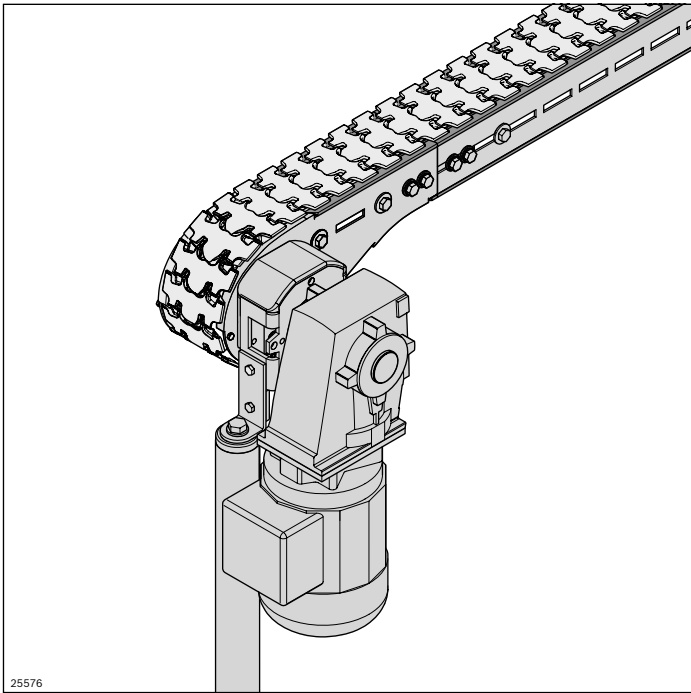
**Base unit STS head drive direct  
or return unit**

**+**

**Configurable drive kit**  
(standard gear motor or round shaft)

**=**

**complete drive**

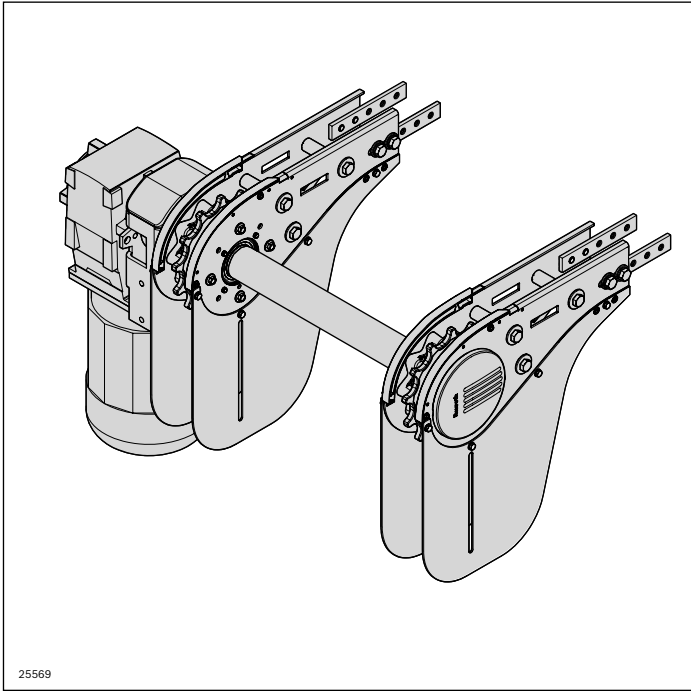


**The well thought-out drive solution enables high flexibility and planning freedom.**

- The in-stock, standardized basic units
- Are quickly and easily combined with the configurable drive kit (standard gear motor or customer-specific interface) into a complete drive
  - Guarantee fast availability of the few modular elements/ spare parts

The hollow shaft on both sides in the basic unit and return unit

- Enables a free selection of the motor mounting position on-site
- Offers other interfaces for transmissions (active bridge)



The standard drives are easy to couple and enable straightforward implementation of multi-track systems.