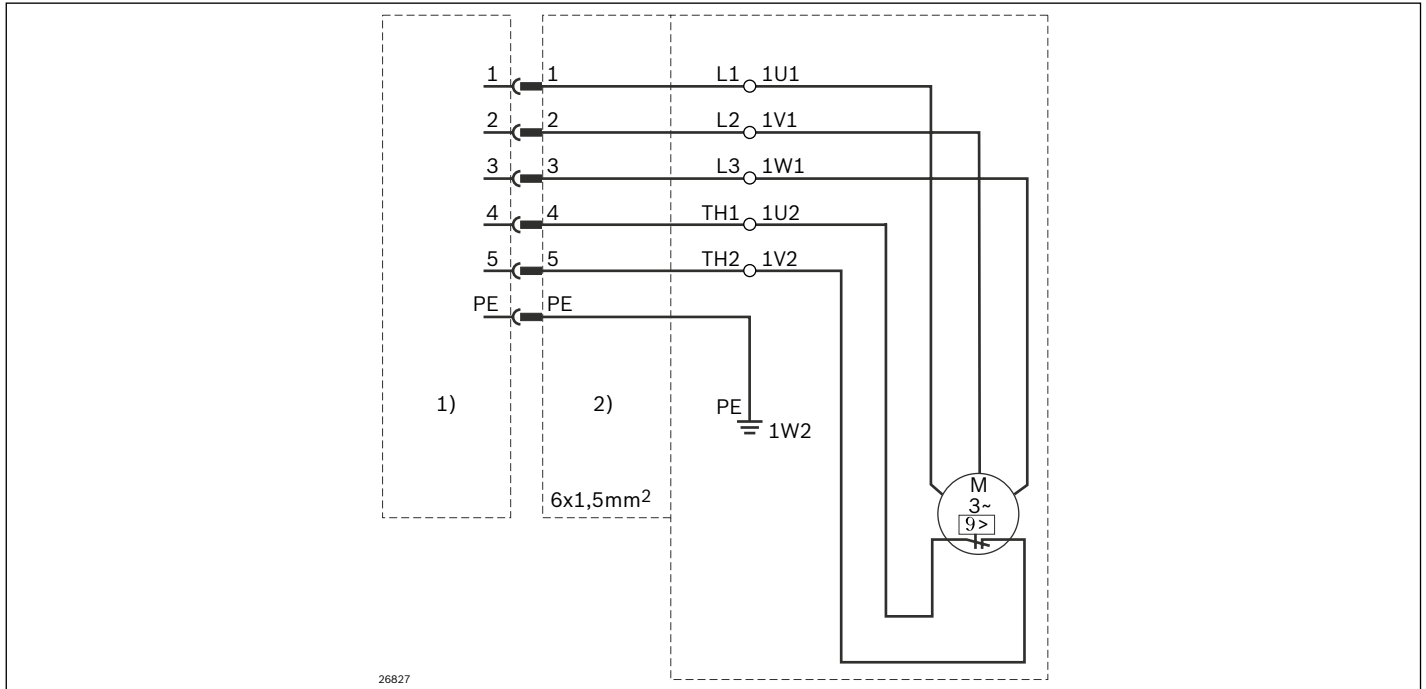


Motor connection

Motor connection with cable/plug (AT = 1), circuit diagram



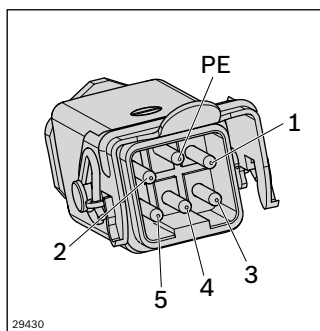
1) Connection cable side

2) Motor side

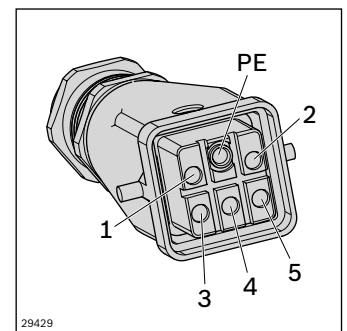
The plug connection consists of UL components.

Connection list

Connection terminals, motor 3~	Pin no.	Code
U1	1	L1
V1	2	L2
W1	3	L3
TW1	4	Th1
TW2	5	Th2
	PE	PE



Motor side



Connection cable side

Motor protection switch

Motor type	50 Hz			60 Hz			Motor protection switch	
	Rated output	Voltage		Rated output	Voltage		Δ (A)	Y (A)
		Δ (V)	Y (V)		Δ (V)	Y (V)		
524	0.09	200	N/A	0.10	220	400	0.75	0.43
		N/A	400		N/A	460	N/A	0.37
		N/A	N/A		N/A	575	N/A	0.30
624	0.18	200	N/A	0.22	220	400	1.30	0.75
		N/A	400		N/A	460	N/A	0.65
		N/A	N/A		N/A	575	N/A	0.55
634	0.25	200	N/A	0.29	220	400	1.90	1.10
		N/A	400		N/A	460	N/A	1.00
		N/A	N/A		N/A	575	N/A	0.80
734	0.37	200	N/A	0.42	220	400	2.15	1.25
		N/A	400		N/A	460	N/A	1.10
		N/A	N/A		N/A	575	N/A	0.90
734a	0.45	200	N/A	0.52	220	400	2.75	1.60
		N/A	400		N/A	460	N/A	1.40
		N/A	N/A		N/A	575	N/A	1.15
814	0.55	200	N/A	0.63	220	400	3.30	1.95
		N/A	400		N/A	460	N/A	1.70
		N/A	N/A		N/A	575	N/A	1.30
824	0.75	200	N/A	0.86	220	400	4.40	2.55
		N/A	400		N/A	460	N/A	2.25
		N/A	N/A		N/A	575	N/A	1.90
716	0.18	200	N/A	0.22	220	400	1.50	0.85
		N/A	400		N/A	460	N/A	0.70
		N/A	N/A		N/A	575	N/A	0.60

Country applicability

	Europe	Switzerland	USA	Canada	Brazil	Australia	New Zealand	South Korea	China	India
Line voltage (3x....)	400 V	400 V	480 V	480 V 575 V	220 V 380 V 440 V	400 V 415 V	400 V 415 V	220 V 380 V 440 V	380 V	415 V
Line voltage tolerance	±10 %	±10 %	±10 %	±10 %	±10 %	±5 %	±5 %			±5 %
Line frequency	50 Hz	50 Hz	60 Hz	60 Hz	60 Hz	50 Hz	50 Hz	60 Hz	50 Hz	50 Hz