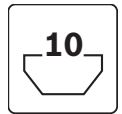
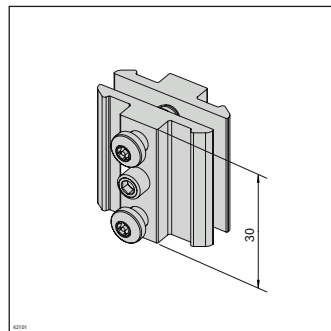
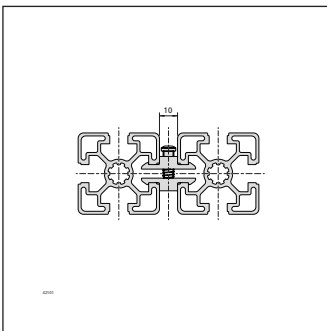


## Parallel connector Quick, groove 10



- ▶ For the connection of two strut profiles, axially parallel with 10 mm distance
- ▶ Connection possible at any point along the profile slot
- ▶ The center screw is used for tightening
- ▶ Transferable displacement force per parallel connector: 500 N
- ▶ No machining of the profile necessary
- ▶ Connectors pre-assembled



### Scope of delivery

- ▶ Incl. fastening material

### Ordering information

	Material number
Parallel connector Quick, groove 10	3842564742

### Technical data

Material number		3842564742	
Tightening torque		Nm	10
Tensile force	Fmax	N	500
Material			Steel, galvanized