

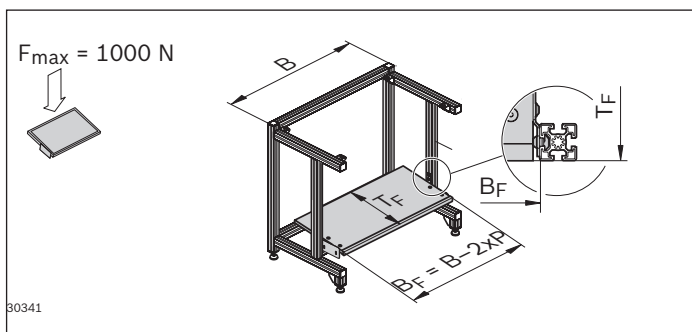
Footrest Economic



- ▶ For 0 – 7° inclination
- ▶ For low-fatigue sitting at the workstation
- ▶ Attachment to the table frame for box or desk type construction
- ▶ Oil-resistant
- ▶ Aluminum U-profile on front edge to prevent premature wear of the footrest edge

Scope of delivery

- ▶ Includes fastening material (10 mm slot)



Condition on delivery

- ▶ Assembled

Ordering information

	Material number
Footrest Economic	3842538771

Technical data

Material number		3842538771	
Conduction resistance	R	Ω	< 1 x 10 ⁹
Footrest width	B _F	mm	900
Footrest depth	T _F	mm	400
Material specification	Chipboard, hard-coated		

The data specified above only serves to describe the product. Due to the continuing development of our products, no statements concerning a certain condition or suitability for a certain application can be derived from our information. The information given does not exempt the user from the obligation of own judgment and verification. It must be remembered that our products are subject to a natural process of wear and aging.