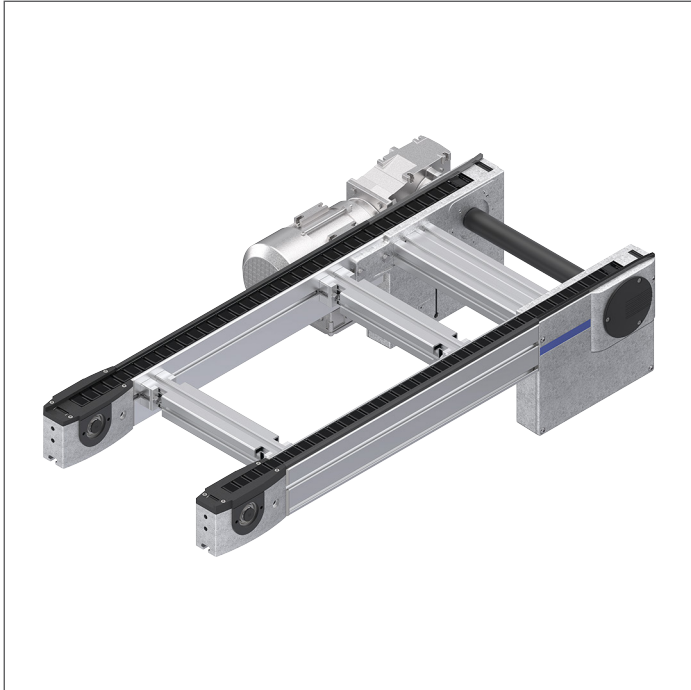
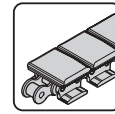


Belt section BS 2/C-H



- ▶ Functional operation conveyor section complete with drive
- ▶ Sturdy version for especially heavy-duty systems
- ▶ Longitudinal conveying of the workpiece pallet on conveyor sections of 6000 mm
- ▶ Transverse conveying between parallel conveyor sections in conjunction with lift transverse units
- ▶ Conveyor medium: Plastic flat-top chain (with KA = A suitable for use in an EPA)
- ▶ Can be combined with WT 2, WT 2/F with PA wear pad, WT 2/LS
- ▶ Motor mounting right, left or central
- ▶ Motor connection: optionally with cable/plug or terminal box
- ▶ Special models on request
- ▶ Stainless steel workpiece pallet lateral guide
- ▶ Reversible operation not permitted
- ▶ Profile width: 50 mm
- ▶ Use with high accumulation loads

The belt section is a ready for operation conveyor section with own drive for the transportation of workpiece pallets in the longitudinal direction or for the transverse conveying of the workpiece pallet between parallel conveyor sections in connection with two lift transverse units HQ 2.

Recommended accessories

- ▶ Connection kits
- ▶ Leg sets SZ 2/...-H
- ▶ Decentralized automatic lubrication unit LU 2, or central automatic lubrication unit LU 2/P

Condition on delivery

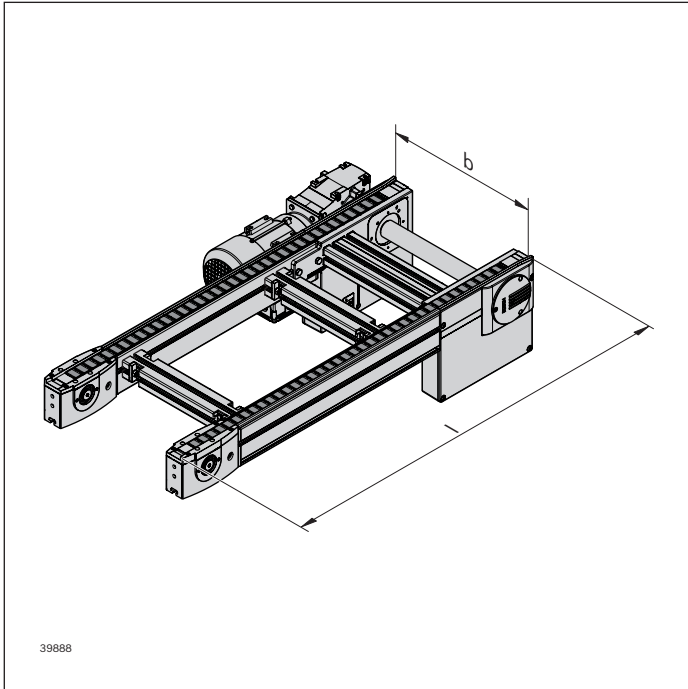
- ▶ Assembled

Notice: The WT 2/LS can be used for longitudinal conveyors with this component.

Cross-traversing and motor mounting in the center (MA = M) is not possible.

Notice: Positioning of WTs in the area of the drive heads/return heads is not permitted.

Ordering information



Material number		3842998935
b (mm)	Track width in direction of transport	400 ... 1200
l (mm)	Length	650 ... 6000
v_N (m/min)	Nominal speed	0 ¹⁾ ; 6; 9; 12; 15; 18 ²⁾
U (V)	Voltage	See motor data, p. <?>ff
f (Hz)	Frequency	See motor data, p. <?>ff
AT	Motor connection S = cable/plug K = terminal box	S; K
MA	Motor mounting R = right L = left M = center	R; L; M
KA	Chain version N = chain in standard version A = Chain suitable for use in an EPA	N; A
GP	Glide profile 0 = plastic 1 = steel	0; 1

¹⁾ $v_N = 0$: without motor and gear

²⁾ Not possible at f = 60 Hz

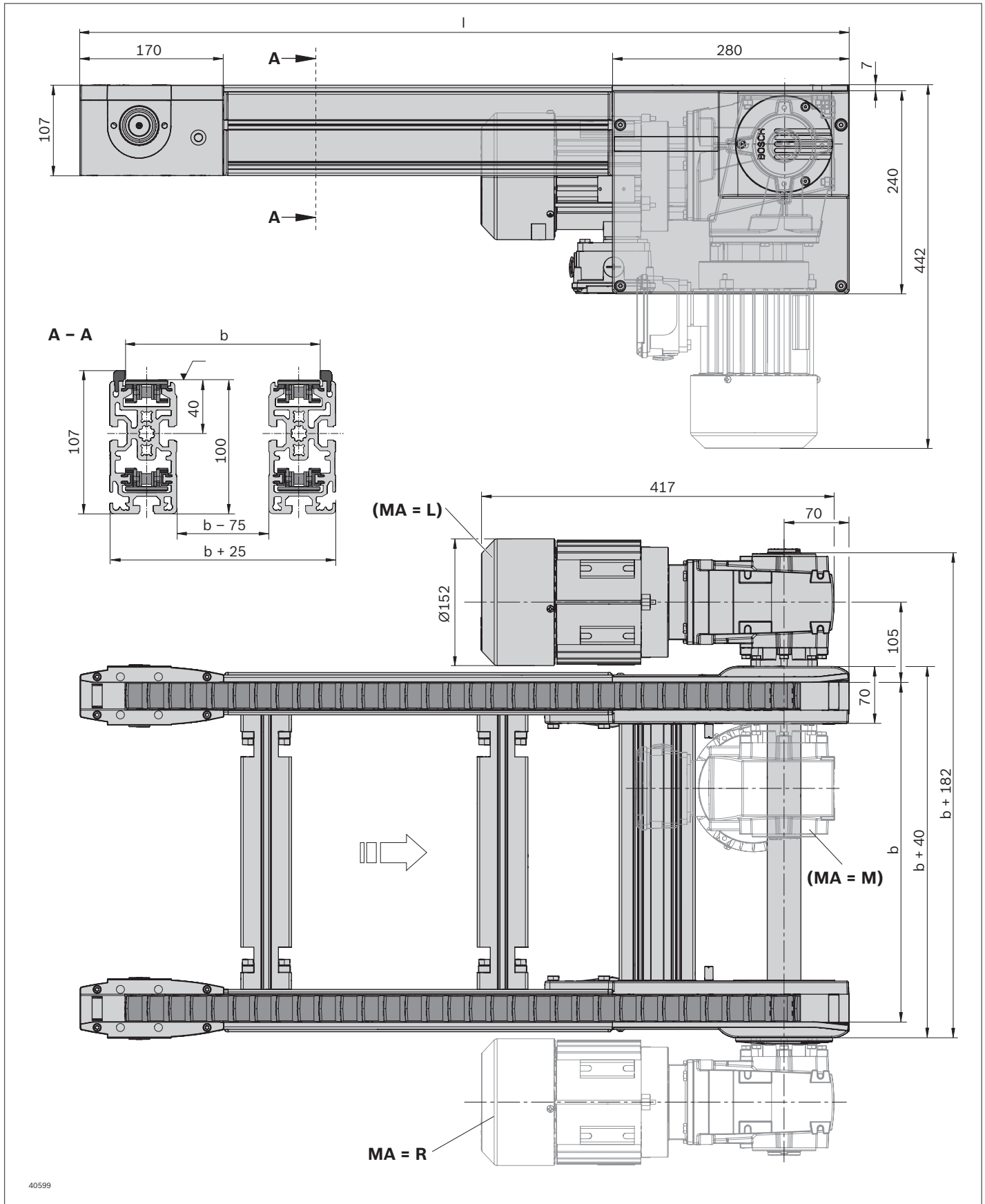
Technical data

Material number		3842998935	
Max. section load in accumulation operation		kg	400
ESD			yes, with KA = A ³⁾
Cleanroom class			ISO class 7 ⁴⁾
Dry room	rF	%	<1
Material specification			Glide profile: PA/steel; corrosion-resistant Section profile: Aluminum, natural; anodized Lateral guide: Stainless steel
Length	l	mm	650 ... 6000

³⁾ Chain suitable for use in an EPA (KA = A)

⁴⁾ is principally suitable

Dimensions



40599

The data specified above only serves to describe the product. Due to the continuing development of our products, no statements concerning a certain condition or suitability for a certain application can be derived from our information. The information given does not exempt the user from the obligation of own judgment and verification. It must be remembered that our products are subject to a natural process of wear and aging.