

M17 Encoder plug connector

RGS17**/****

DOK-CONNEX-RGS17XX****-DA01-EN-P

R911429845
Edition 01

1 RGS17**/**** Plug connector

Plug-in connector in the RGS series are equipped with SPEEDCON quick couplings that enable a fast and secure connection. These connectors are intended for pre-assembled connection cables for Bosch Rexroth encoder connectors.

NOTICE

Make sure to install the connectors according to the manufacturer's instructions to ensure optimum functionality.

Contact processing

Special tools are required to process the contacts. Please use the settings recommended by the manufacturer for the crimping pliers.

NOTICE

Make sure that the tool is in perfect condition and is serviced regularly to ensure optimum processing quality.

Contact

Contact type socket

| Designation | Size | Material number |
|------------------------------------|-----------|-----------------|
| KIN-EV-0.06/0.25-13.10-AU-B | 0.06/0.25 | R911345998 |
| KIN-EV-0.14/0.34-16.80-AU-A | 0.14/0.34 | R911338443 |
| KIN-EV-0.25/1.00-13.10-AU-630V-E+F | 0.25/1.00 | R911337753 |
| KIN-EV-0.34/0.50-16.80-AU-A | 0.34/0.50 | R911338923 |

Contact type pin

| Designation | Size | Material number |
|------------------------------------|-----------|-----------------|
| KIN-EU-0.06/0.25-19.40-AU-B | 0.06/0.25 | R911338043 |
| KIN-EU-0.14/0.34-23.30-AU-A | 0.14/0.34 | R911338434 |
| KIN-EU-0.25/1.00-19.40-AU-630V-E+F | 0.25/1.00 | R911337733 |
| KIN-EU-0.34/0.50-23.30-AU-A | 0.34/0.50 | R911338922 |

Correct assembly of the connectors is essential for a reliable connection. The selection of the appropriate assembly tool (e.g. crimping tool) and the correct tool settings are crucial. If you have any questions about tool selection or the optimum settings, Bosch Rexroth Service or your sales partner will be happy to advise you. Incorrect assembly can impair the product function or lead to failures.

2 RGS17*1 Technical data

Technical data



| Designation | Symbol | Unit | RGS1701/CUB1 | RGS1711/CM50 | RGS1751/CM05 | RGS1781/CUB1 |
|------------------------------------|-----------------|------|--------------------------------------------------------------|-----------------------------------------|-----------------------------|--------------------------------------|
| Material number (accessory) | | | R911375273 | R911342383 | R911342395 | R911379682 |
| Type | | | Cable connector | | | |
| Connector size | | | M17 | M17 | M17 | M17 |
| Mode of locking | | | SpeedCon | SpeedCon | SpeedCon | SpeedCon |
| Cable type | | | - | REG011 | - | - |
| Clamping range ØA | D | mm | 5 ... 9.2 | 9 ... 11.2 | 9 ... 11.2 | 5 ... 9.2 |
| Coding | | | Bosch specific pole pattern | Without | Bosch specific pole pattern | Bosch specific pole pattern |
| Number of poles plug-in connectors | | | 9 | 17 | 9 | 9 |
| Contacts (amount and size) | | | 7x (0.06 ... 0.25) + 2x (0.25 ... 1) | 4x (0.34 ... 0.5) + 11x (0.14 ... 0.34) | 5 x (0.25 ... 1) | 7x (0.06 ... 0.25) + 2x (0.25 ... 1) |
| Rated current | I _{Ns} | A | 1 mm contact max. 3.6 mm ² at 1.0 mm ² | | | |
| Mass | m | kg | 0.040 | 0.050 | 0.040 | 0.040 |
| Contact design | | | Socket | Socket | Socket | Socket |
| Connection design | | | Crimp | Crimp | Crimp | Crimp |
| Rated voltage | U _{Ns} | V | 60 | 60 | 60 | 60 |
| Overvoltage category | | | III | III | III | III |
| Resistor | R | mOhm | < 3 | < 3 | < 3 | < 3 |
| Temperature range | T _a | °C | -40 ... 125 | -40 ... 125 | -40 ... 125 | -40 ... 125 |
| Installation altitude | h | m | 3000 | 3000 | 3000 | 3000 |
| Pollution degree | | | 3 | 3 | 3 | 3 |
| Housing material | | | GD-Zn / CuZn, nickel-plated | | | |
| Material contact | | | CuZn, gold-plated | | | |
| Mating cycles | | | 100 | 100 | 100 | 100 |
| Contact carrier material | | | PA 66 / UL 94 V0 | PA 66 / UL 94 V0 | PA 66 / UL 94 V0 | PA 66 / UL 94 V0 |
| Sealings | | | FKM | FKM | FKM | FKM |
| Protection mode (locked) | | | IP67 | IP67 | IP67 | IP67 |
| UL/CSA Approvals | | | cURus | cURus | cURus | cURus |
| E-file number | | | E335019 (E153698) | E335019 (E153698) | E335019 (E153698) | E335019 (E153698) |
| RoHS (EU) | | | Compliant with Directive 2011/65/EU | | | |
| Identification "B" | | | black | black | black | green |

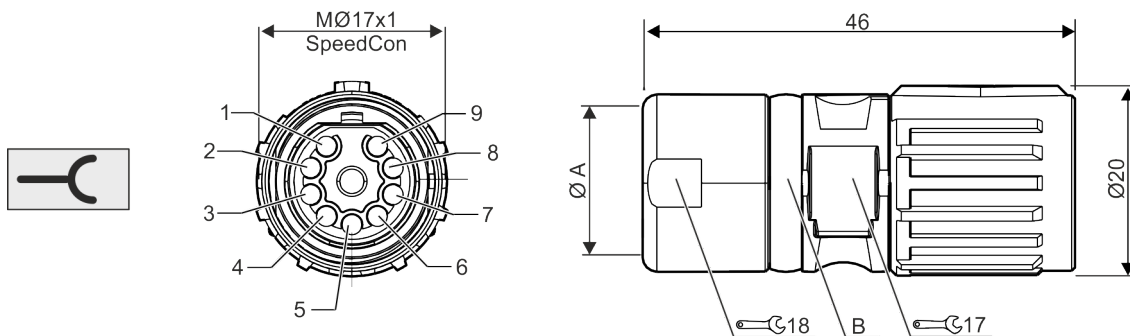


Fig. 1: RGS1701/CUB1, RGS1751/CM05, RGS1781/CUB1
 ØA Clamping range / cable diameter see "Technical data"
 B Identification see "Technical data"

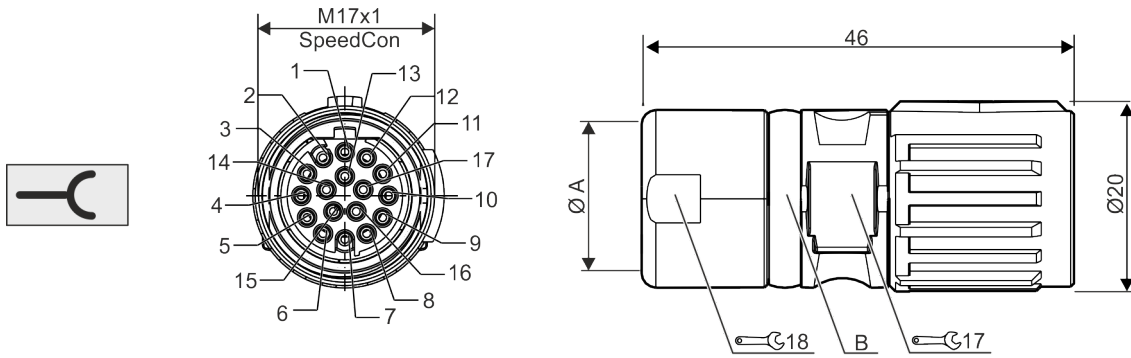


Fig. 2: RGS1711/CM50

ØA Clamping range / cable diameter see "Technical data"

B Identification see "Technical data"

3 RGS17*2 Technical data

Technical data



| Designation | Symbol | Unit | RGS1702/CUB1 | RGS1712/CM50 | RGS1752/CM05 | RGS1782/CUB1 |
|------------------------------------|-----------------|------|--------------------------------------------------------------|-----------------------------------------|-----------------------------|--------------------------------------|
| Material number (accessory) | | | R911342398 | R911342387 | R911342399 | R911380022 |
| Type | | | Cable coupling | | | |
| Connector size | | | M17 | M17 | M17 | M17 |
| Mode of locking | | | SpeedCon | SpeedCon | SpeedCon | SpeedCon |
| Cable type | | | - | REG011 | - | - |
| Clamping range ØA | D | mm | 5 ... 9.2 | 9 ... 11.2 | 9 ... 11.2 | 5 ... 9.2 |
| Coding | | | Bosch specific pole pattern | Without | Bosch specific pole pattern | Bosch specific pole pattern |
| Number of poles plug-in connectors | | | 9 | 17 | 9 | 9 |
| Contacts (amount and size) | | | 7x (0.06 ... 0.25) + 2x (0.25 ... 1) | 4x (0.34 ... 0.5) + 11x (0.14 ... 0.34) | 5 x (0.25 ... 1) | 7x (0.06 ... 0.25) + 2x (0.25 ... 1) |
| Rated current | I _{Ns} | A | 1 mm contact max. 3.6 mm ² at 1.0 mm ² | | | |
| Mass | m | kg | 0.040 | 0.040 | 0.040 | 0.040 |
| Contact design | | | Pin | Pin | Pin | Pin |
| Connection design | | | Crimp | Crimp | Crimp | Crimp |
| Rated voltage | U _{Ns} | V | 60 | 60 | 60 | 60 |
| Overvoltage category | | | III | III | III | III |
| Resistor | R | mOhm | < 3 | < 3 | < 3 | < 3 |
| Temperature range | T _a | °C | -40 ... 125 | -40 ... 125 | -40 ... 125 | -40 ... 125 |
| Installation altitude | h | m | 3000 | 3000 | 3000 | 3000 |
| Pollution degree | | | 3 | 3 | 3 | 3 |
| Housing material | | | GD-Zn / CuZn, nickel-plated | | | |
| Material contact | | | CuZn, gold-plated | | | |
| Mating cycles | | | 100 | 100 | 100 | 100 |
| Contact carrier material | | | PA 66 / UL 94 V0 | PA 66 / UL 94 V0 | PA 66 / UL 94 V0 | PA 66 / UL 94 V0 |
| Sealings | | | FKM | FKM | FKM | FKM |
| Protection mode (locked) | | | IP67 | IP67 | IP67 | IP67 |
| UL/CSA Approvals | | | cURus | cURus | cURus | cURus |
| E-file number | | | E335019 (E153698) | E335019 (E153698) | E335019 (E153698) | E335019 (E153698) |
| RoHS (EU) | | | Compliant with Directive 2011/65/EU | | | |
| Identification "B" | | | black | black | black | green |

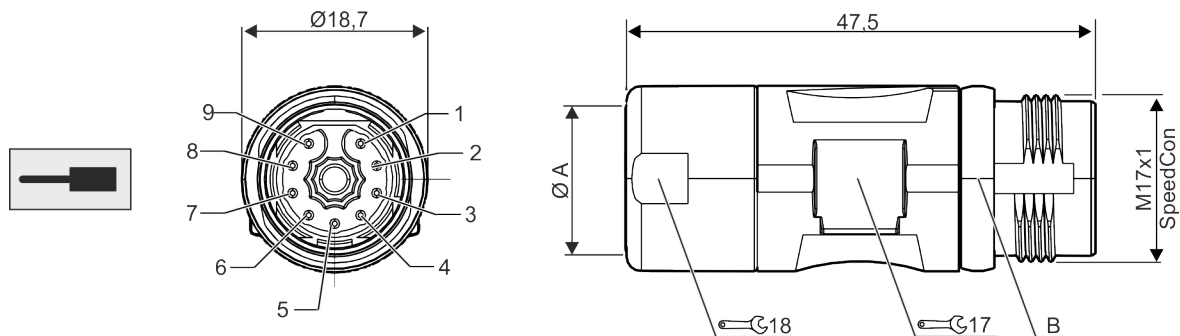


Fig. 3: RGS1702/CUB1, RGS1752/CM05, RGS1782/CUB1
 ØA Clamping range / cable diameter see "Technical data"
 B Identification see "Technical data"

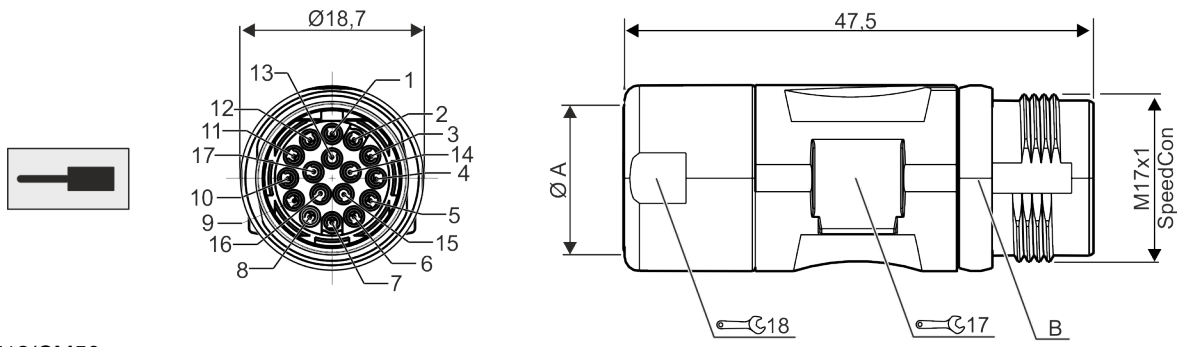


Fig. 4: RGS1712/CM50

ØA Clamping range / cable diameter see "Technical data"

B Identification see "Technical data"

4 RGS1704 Technical data

Technical data



| Designation | Symbol | Unit | RGS1704/CUB1 |
|------------------------------------|-----------------|------|--------------------------------------------------------------|
| Material number (accessory) | | | R911342402 |
| Type | | | Flange connector |
| Connector size | | | M17 |
| Mode of locking | | | SpeedCon |
| Cable type | | | - |
| Clamping range ØA | D | mm | 5 ... 9.2 |
| Coding | | | Bosch specific pole pattern |
| Number of poles plug-in connectors | | | 9 |
| Contacts (amount and size) | | | 7x (0.06 ... 0.25) + 2x (0.25 ... 1) |
| Rated current | I _{Ns} | A | 1 mm contact max. 3.6 mm ² at 1.0 mm ² |
| Mass | m | kg | 0.060 |
| Contact design | | | Pin |
| Connection design | | | Crimp |
| Rated voltage | U _{Ns} | V | 60 |
| Overvoltage category | | | III |
| Resistor | R | mOhm | < 3 |
| Temperature range | T _a | °C | -40 ... 125 |
| Installation altitude | h | m | 3000 |
| Pollution degree | | | 3 |
| Housing material | | | GD-Zn / CuZn, nickel-plated |
| Material contact | | | CuZn, gold-plated |
| Mating cycles | | | 100 |
| Contact carrier material | | | PA 66 / UL 94 V0 |
| Sealings | | | FKM |
| Protection mode (locked) | | | IP67 |
| UL/CSA Approvals | | | cURus |
| E-file number | | | E335019 (E153698) |
| RoHS (EU) | | | Compliant with Directive 2011/65/EU |
| Identification "B" | | | black |

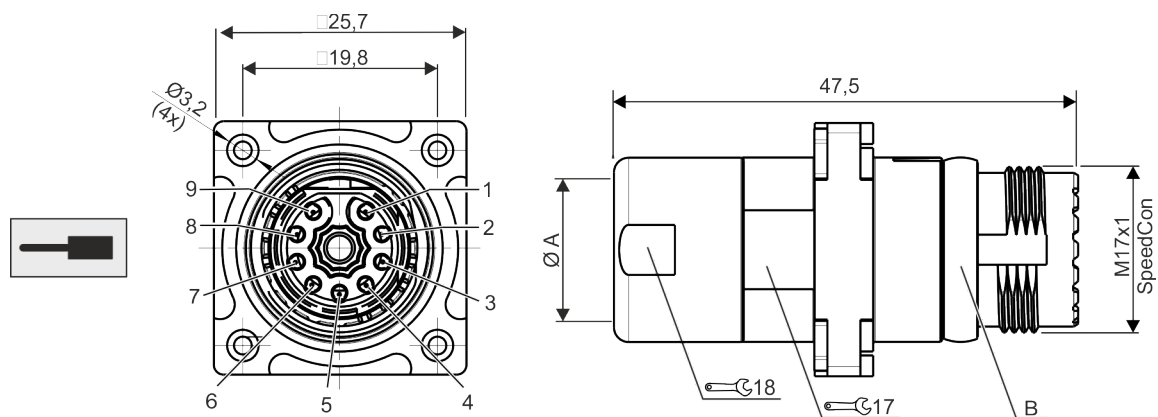


Fig. 5: RGS1704/CUB1

ØA Clamping range / cable diameter see "Technical data"

B Identification see "Technical data"

5 RGS1705 Technical data

Technical data



| Designation | Symbol | Unit | RGS1705/A01* |
|------------------------------------|------------------|------|--------------------------------------------------------------|
| Material number (accessory) | | | R911381138 |
| Type | | | Panel feed-through |
| Connector size | | | M17 |
| Mode of locking | | | SpeedCon |
| Cable type | | | - |
| Clamping range ØA | D | mm | - |
| Coding | | | Bosch specific pole pattern |
| Number of poles plug-in connectors | | | 9 |
| Contacts (amount and size) | | | 9x (0.5 ... 1) |
| Rated current | I _{N S} | A | 1 mm contact max. 3.6 mm ² at 1.0 mm ² |
| Mass | m | kg | 0.130 |
| Contact design | | | |
| Connection design | | | Crimp |
| Rated voltage | U _{N S} | V | 60 |
| Overvoltage category | | | III |
| Resistor | R | mOhm | < 3 |
| Temperature range | T _a | °C | -40 ... 125 |
| Installation altitude | h | m | 3000 |
| Pollution degree | | | 3 |
| Housing material | | | GD-Zn / CuZn, nickel-plated |
| Material contact | | | CuZn, gold-plated |
| Mating cycles | | | 100 |
| Contact carrier material | | | PA 66 / UL 94 V0 |
| Sealings | | | FKM |
| Protection mode (locked) | | | IP67 |
| UL/CSA Approvals | | | - |
| E-file number | | | - |
| RoHS (EU) | | | Compliant with Directive 2011/65/EU |
| Identification "B" | | | black |

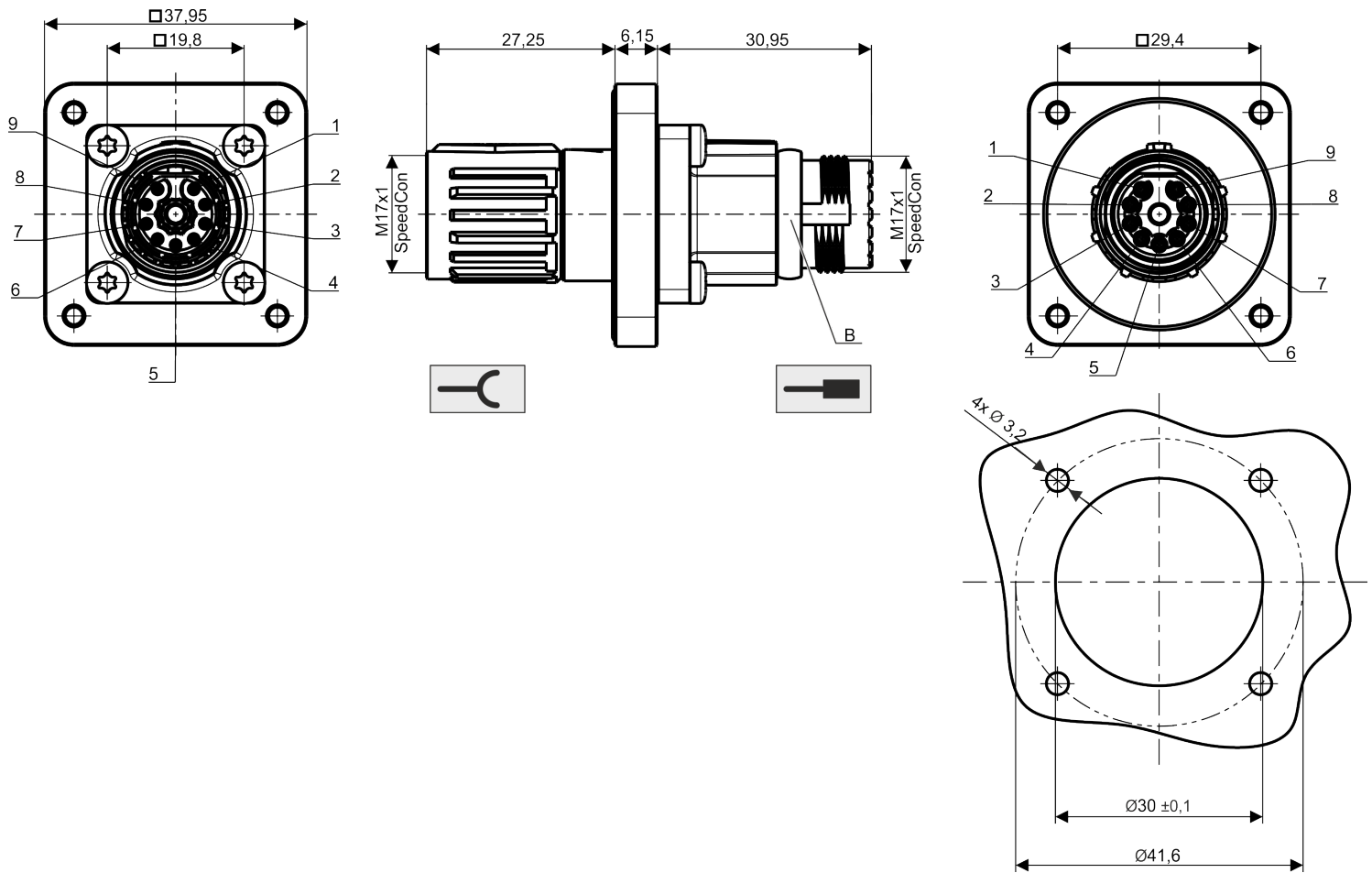


Fig. 6: RGS1705/A01*
 B Identification see "Technical data"

