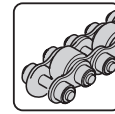


## Belt section BS 2/R-700



- ▶ Conveyor medium: Accumulation roller chain (suitable for use in an EPA)
- ▶ Reversible operation not permitted
- ▶ Motor mounting right or left
- ▶ Motor connection: optionally with cable/plug or terminal box
- ▶ Special models on request

**Notice:** Positioning of WTs in the area of the drive heads/return heads is not permitted.

**Notice:** With short, light workpiece pallets ( $l_{WT} = 160, 240$ ), it may be necessary to ensure that conveyor trenches are traversable by installing the included acceleration element.

When doing so, note the following:

Avoid accumulation above the acceleration element. Accumulation above the acceleration element causes severe roller wear and shortens the service life of the chain.

The belt section is a ready for operation conveyor section with own drive for the transportation of workpiece pallets in the longitudinal direction or for the transverse conveying of the workpiece pallet between parallel conveyor sections in connection with two lift transverse units HQ 2.

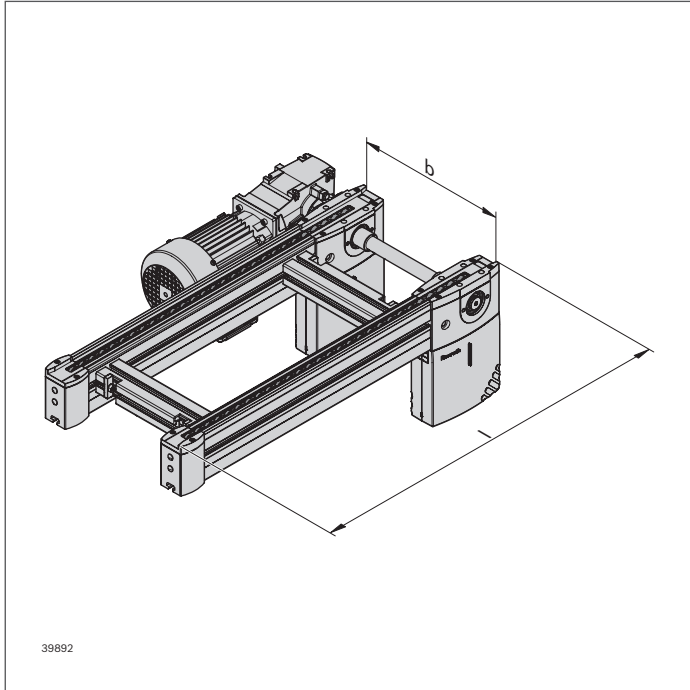
### Recommended accessories

- ▶ Connection kits
- ▶ Leg sets SZ 2/...
- ▶ Decentralized automatic lubrication unit LU 2, or central automatic lubrication unit LU 2/P

### Condition on delivery

- ▶ Assembled

## Ordering information



Material number		3842998938
b (mm)	Track width in direction of transport	160; 240; 320; 400; 480; 640; 800; 1040; 1200; 160 ... 1200 <sup>1)</sup>
l (mm)	Length	300 ... 6000
$v_N$ (m/min)	Nominal speed	0 <sup>2)</sup> ; 6; 9; 12; 15; 18
U (V)	Voltage at 50 Hz	200; 400
U (V)	Voltage at 60 Hz	220; 400; 460; 575
f (Hz)	Frequency	50; 60
AT	Motor connection S = cable/plug K = terminal box	S; K
MA	Motor mounting R = right L = left	R; L
GP	Glide profile 0 = plastic <sup>3)</sup> 1 = steel	0; 1
KT	Chain type 1 = accumulation roller chain with PA accumulation rollers 2 = accumulation roller chain with steel accumulation rollers 3 = accumulation roller chain with PA accumulation rollers and small parts protection 4 = accumulation roller chain with steel accumulation rollers and small parts protection	1; 2; 3; 4

<sup>1)</sup> Individual width variants can be ordered

<sup>2)</sup>  $v_N = 0$ : without motor and gear

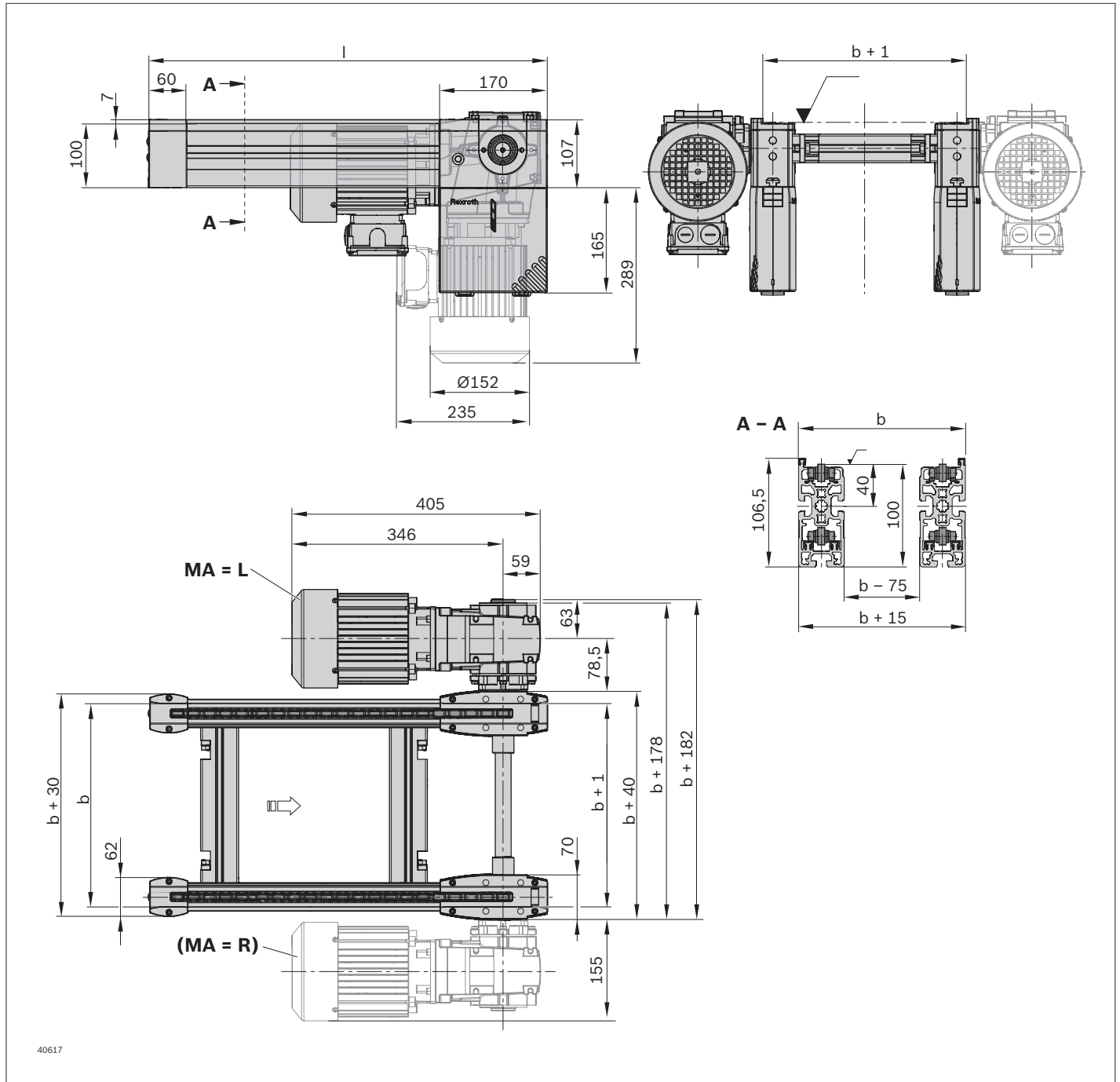
<sup>3)</sup> max. 1 kg/cm specific line load

## Technical data

Material number		3842998938	
Max. section load in accumulation operation		kg	700
ESD			yes
Material specification			Glide profile: PA/Steel; corrosion-resistant Section profile: Aluminum, natural, anodized chain: PA or steel accumulation rollers Small parts protection: PA
Max. operating temperature	T	°C	+40
Length	l	mm	300 ... 6000

The data specified above only serves to describe the product. Due to the continuing development of our products, no statements concerning a certain condition or suitability for a certain application can be derived from our information. The information given does not exempt the user from the obligation of own judgment and verification. It must be remembered that our products are subject to a natural process of wear and aging.

**Dimensions**



The data specified above only serves to describe the product. Due to the continuing development of our products, no statements concerning a certain condition or suitability for a certain application can be derived from our information. The information given does not exempt the user from the obligation of own judgment and verification. It must be remembered that our products are subject to a natural process of wear and aging.