

## Adapter XLean rail holder



### Adapter XLean

- ▶ For combination with XLean
- ▶ The adapter XLean connects the round tube D28L with the XLean rail holder

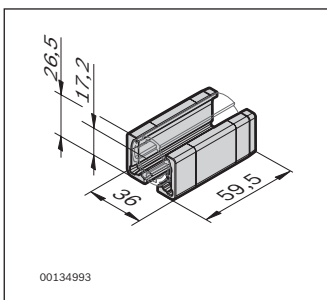
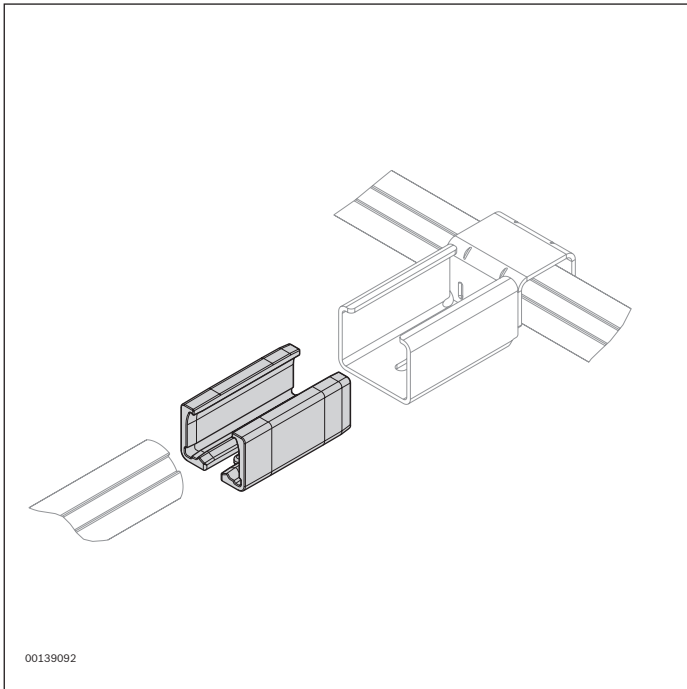
### Ordering information

Product description	Material number	Delivery unit
Adapter XLean rail holder	3842541296	20

### Technical data

<b>Material number</b>	<b>3842541296</b>
ESD	Yes
Color	Black
Weight	kg 0.024
Material	PA 66, conductive

### Dimensions



The data specified within only serve to describe the product. As our products are constantly being further developed, no statements concerning a certain condition or suitability for a certain application can be derived from our information. The information given does not release the user from the obligation of own judgment and verification. It must be remembered that our products are subject to a natural process of wear and aging.