

Connector 0°-90° D28L



Connector 0°-90° D28L

- ▶ For connection of two round profile tubes D28L at an angle of 0° to 90°
- ▶ Reaches on both sides around the respective profile tubes at the front end
- ▶ Improved settlement behavior and increased dynamic load capacity enable durable support

Scope of delivery

- ▶ Incl. fastening material

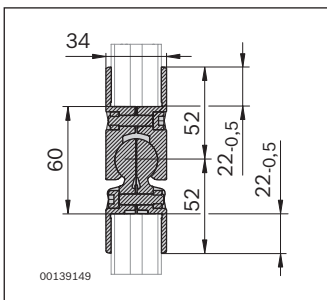
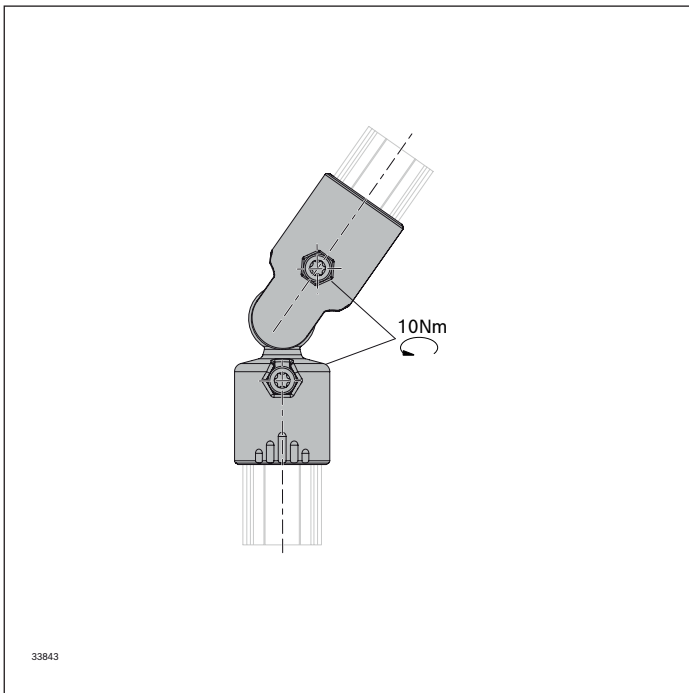
Ordering information

Product description	Material number	Delivery unit
Connector 0°-90° D28L	3842543480	20

Technical data

Material number	3842543480	
Fastening material	2× cylinder head screw ISO14579 M6x25 2× hexagon nut ISO7042 M6	
ESD	Yes	
Weight	kg	0.315
Material	Die-cast zinc	

Dimensions



The data specified within only serve to describe the product. As our products are constantly being further developed, no statements concerning a certain condition or suitability for a certain application can be derived from our information. The information given does not release the user from the obligation of own judgment and verification. It must be remembered that our products are subject to a natural process of wear and aging.