

# M23 Hybrid

## Plug-in connector RHS

DOK-CONNEC-RHS23XX\*\*\*\*-DA01-EN-P

**R911424821**  
**Edition 01**

## 1 M23 Cable connector SpeedCon Technical data

### Technical data



Designation	Symbol	Unit	RHS2301/CM01	RHS2311/CM05
Material number (accessory)			R911383661	R911417199
Type			Cable connector	
Connector size			M23	
Mode of locking			SpeedCon	
Cable type			REH0804	REH0805
Clamping range ØA	D	mm	12 ... 15	15 ... 18
Coding			Bosch specific pole pattern	
Number of poles plug-in connectors			3+PE+7	
Contacts (amount and size)			4x (1.0 ... 2.5) + 3x (0.25 ... 1.0) + 4x (0.06 ... 0.25)	
Maximum rated current plug-in connector signal <sup>1)</sup>	I <sub>N S</sub>	A	2 x 2 A (UL + CSA); 4 x 0.5 A (UL + CSA)	
Mass	m	kg	0.135	
Contact design			Socket	
Connection design			Crimp	
Rated voltage power contact	U <sub>N P</sub>	V	630	
Rated voltage signal contact	U <sub>N S</sub>	V	125	
Overvoltage category			III	
Resistor	R	mΩ	< 3	
Temperature range	T <sub>a</sub>	°C	-40 ... 125	
Installation altitude	h	m	3000	
Pollution degree			3	
Housing material			GD-Zn / CuZn, nickel-plated	
Contact material			CuZn, gold-plated	
Mating cycles			100	
Contact carrier material			PA 66 / UL 94 V0	
Sealings			FKM	
Protection mode (locked)			IP66 / IP67	
CE			compliant according to low voltage directive 2014/35/EU	
UL/CSA Approvals			cURus	
E-file number			E153698	
RoHS (EU)			Compliant with Directive 2011/65/EU	
Identification "B"			Black	

1) Related to the maximum possible contact size within the respective plug-in connector size. Observe reducing factors, like smaller contacts, cable cross-sections, temperature, local regulations.

Latest amendment: 2024-03-14

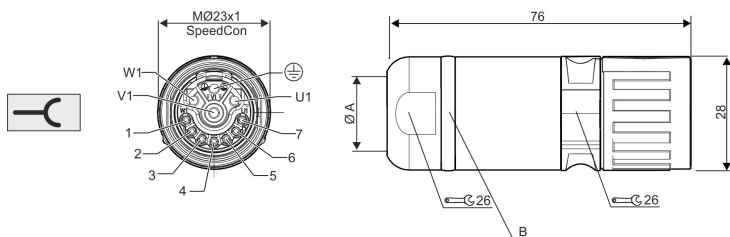


Fig. 1: RHS2301/CM01, RHS2311/CM05

## 2 M23 Cable connector SpeedTec Technical data

### Technical data



Designation	Symbol	Unit	RHS2321/CM03
Material number (accessory)			R911420225
Type			Cable connector
Connector size			M23
Mode of locking			SpeedTec
Cable type			REH0800
Clamping range ØA	D	mm	14 ... 17
Coding			Code 1
Number of poles plug-in connectors			4 + PE 6 + 4
Contacts (amount and size)			5x (0.35 ... 2.5) + 5x (0.14 ... 1.0) + 4x (0.03 ... 0.34)
Maximum rated current plug-in connector signal <sup>1)</sup>	I <sub>NS</sub>	A	max. 1.2
Mass	m	kg	0.150
Contact design			Socket
Connection design			Crimp
Rated voltage power contact	U <sub>NP</sub>	V	630 V (AC)
Rated voltage signal contact	U <sub>NS</sub>	V	30 V (AC)
Overvoltage category			III
Resistor	R	mΩ	
Temperature range	T <sub>a</sub>	°C	-20 ... 130
Installation altitude	h	m	2,000
Pollution degree			3
Housing material			Zinc die-cast, nickel-plated GD-Zn
Contact material			CuZn, gold-plated
Mating cycles			500
Contact carrier material			Pa66 / UL94 V0
Sealings			FKM
Protection mode (locked)			IP66 / IP67
UL/CSA Approvals			cURus
E-file number			E153698
RoHS (EU)			Compliant with Directive 2011/65/EU
RoHS (China)			according to directive SJ/T 11364, EFUP 50
Identification "B"			

1) Related to the maximum possible contact size within the respective plug-in connector size. Observe reducing factors, like smaller contacts, cable cross-sections, temperature, local regulations.

Latest amendment: 2024-03-15

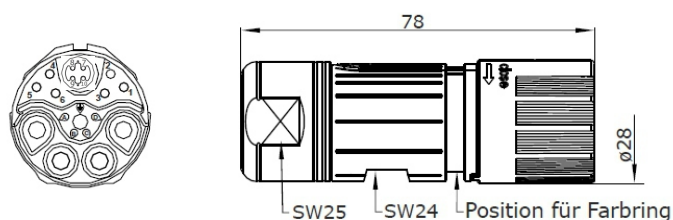


Fig. 2: RHS2321/CM03

### 3 M23 Cable coupling SpeedCon technical data

#### Technical data



Designation	Symbol	Unit	RHS2302/CM01
Material number (accessory)			R911383665
Type			Cable coupling
Connector size			M23
Mode of locking			SpeedCon
Cable type			REH0804
Clamping range ØA	D	mm	12 ... 15
Coding			Bosch specific pole pattern
Number of poles plug-in connectors			3+PE+7
Contacts (amount and size)			4x (0.75 ... 1.5) + 3x (0.25 ... 1.0) + 4x (0.06 ... 0.25)
Maximum rated current plug-in connector signal <sup>1)</sup>	I <sub>N S</sub>	A	2 x 2 A (UL + CSA); 4 x 0,5 A (UL + CSA)
Mass	m	kg	0.114
Contact design			Pins
Connection design			Crimp
Rated voltage power contact	U <sub>N P</sub>	V	630 V (AC)
Rated voltage signal contact	U <sub>N S</sub>	V	125 V (AC)
Overvoltage category			III
Resistor	R	mΩ	< 3
Temperature range	T <sub>a</sub>	°C	-40 ... 125
Installation altitude	h	m	3000
Pollution degree			3
Housing material			GD-Zn / CuZn, nickel-plated
Contact material			CuZn, gold-plated
Mating cycles			100
Contact carrier material			PA 66 / UL 94 V0
Sealings			FKM
Protection mode (locked)			IP66 / IP67
UL/CSA Approvals			cURus
E-file number			E153698
RoHS (EU)			Compliant with Directive 2011/65/EU
Identification "B"			Black

1) Related to the maximum possible contact size within the respective plug-in connector size. Observe reducing factors, like smaller contacts, cable cross-sections, temperature, local regulations.

Latest amendment: 2024-03-14

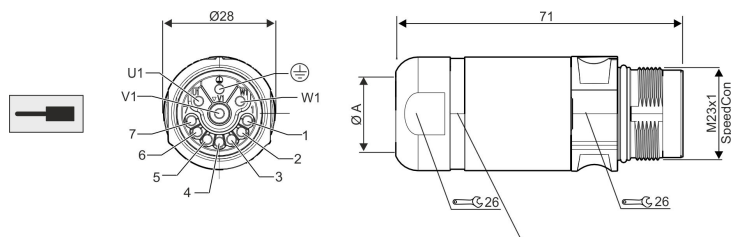


Fig. 3: RHS2302/CM01

# 4 M23 Cable coupling SpeedTec Technical data

## Technical data



Designation	Symbol	Unit	RHS2322/CM03
Material number (accessory)			R911421209
Type			Cable coupling
Connector size			M23
Mode of locking			SpeedTec
Cable type			REH0800
Clamping range ØA	D	mm	14 ... 17
Coding			Code 1
Number of poles plug-in connectors			4 + PE 6 + 4
Contacts (amount and size)			5x (0.35 ... 2.5) + 5x (0.14 ... 1.0) + 4x (0.03 ... 0.34)
Maximum rated current plug-in connector signal <sup>1)</sup>	I <sub>NS</sub>	A	max. 1.2
Mass	m	kg	0.150
Contact design			Pins
Connection design			Crimp
Rated voltage power contact	U <sub>NP</sub>	A	630 V (AC)
Rated voltage signal contact	U <sub>NS</sub>	A	30 V (AC)
Overvoltage category			III
Resistor	R		
Temperature range	T <sub>a</sub>	°C	-20 ... 130
Installation altitude	h	m	2,000
Pollution degree			3
Housing material			Zinc die-cast, nickel-plated GD-Zn
Contact material			CuZn, gold-plated
Mating cycles			500
Contact carrier material			Pa66 / UL94 V0
Sealings			FKM
Protection mode (locked)			IP66 / IP67
UL/CSA Approvals			cURus
E-file number			E153698
RoHS (EU)			Compliant with Directive 2011/65/EU
RoHS (China)			according to directive SJ/T 11364, EFUP 50
Identification "B"			

1) Related to the maximum possible contact size within the respective plug-in connector size. Observe reducing factors, like smaller contacts, cable cross-sections, temperature, local regulations.

Latest amendment: 2024-03-15

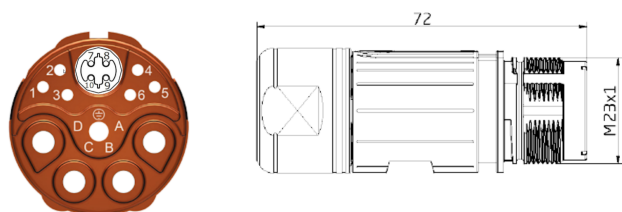


Fig. 4: RHS2322/CM03

# 5 M23 Device connector SpeedCon technical data

## Technical data



Designation	Symbol	Unit	RHS2303/C03
Material number (accessory)			R911388324
Type			Device connector, straight
Connector size			M23
Mode of locking			SpeedCon
Cable type			-
Clamping range ØA	D		-
Coding			Bosch specific pole pattern
Number of poles plug-in connectors			3+PE+7
Contacts (amount and size)			4x (1.0 ... 2.5) + 7x (0.25 ... 1.0)
Maximum rated current plug-in connector signal <sup>1)</sup>	I <sub>NS</sub>	A	2 x 2 A (UL + CSA); 4 x 0,5 A (UL + CSA)
Mass	m	kg	0.049
Contact design			Pins
Connection design			Crimp
Rated voltage power contact	U <sub>NP</sub>	V	630 V (AC)
Rated voltage signal contact	U <sub>NS</sub>	V	125 V (AC)
Overvoltage category			III
Resistor	R		< 3
Temperature range	T <sub>a</sub>	°C	-40 ... 125
Installation altitude	h	m	3000
Pollution degree			3
Housing material			GD-Zn, Collinox 1005 / AlMg
Contact material			CuZn, gold-plated
Mating cycles			100
Contact carrier material			PA 66 / UL 94 V0
Sealings			FKM
Protection mode (locked)			IP67
UL/CSA Approvals			cURus
E-file number			E153698
RoHS (EU)			Compliant with Directive 2011/65/EU
Identification "B"			Without

1) Related to the maximum possible contact size within the respective plug-in connector size. Observe reducing factors, like smaller contacts, cable cross-sections, temperature, local regulations.

Latest amendment: 2024-03-15

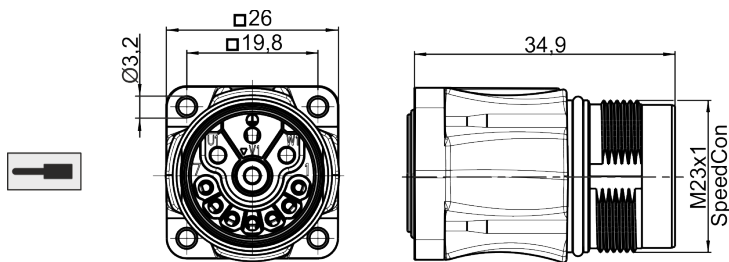


Fig. 5: RHS2303/C03

# 6 M23 Panel feed-through SpeedCon technical data

## Technical data



Fig. 6: symbol.con.ce.rohs2

Designation	Symbol	Unit	RHS2305/A03
Material number (accessory)			R911384340
Type			Panel feed-through
Connector size			M23
Mode of locking			SpeedCon
Cable type			-
Clamping range ØA	D		-
Coding			Bosch specific pole pattern
Number of poles plug-in connectors			3+PE+7
Contacts (amount and size)			4x (1.0 ... 2.5) + 7x (0.5 ... 1.0)
Maximum rated current plug-in connector signal <sup>1)</sup>	$I_{N S}$	A	2 x 2 A (UL + CSA); 4 x 0,5 A (UL + CSA)
Mass	m	kg	0.182
Contact design			Socket / pins
Connection design			-
Rated voltage power contact	$U_{N P}$	V	630 V (AC)
Rated voltage signal contact	$U_{N S}$	V	125 V (AC)
Overvoltage category			III
Resistor	R	mΩ	< 3
Temperature range	$T_a$	°C	-40 ... 105
Installation altitude	h	m	3000
Pollution degree			3
Housing material			GD-Zn / CuZn, nickel-plated
Contact material			CuZn, gold-plated
Mating cycles			100
Contact carrier material			PA 66 / UL 94 V0
Sealings			FKM
Protection mode (locked)			IP66 / IP67
UL/CSA Approvals			-
E-file number			-
RoHS (EU)			Compliant with Directive 2011/65/EU
Identification "B"			Without

1) Related to the maximum possible contact size within the respective plug-in connector size. Observe reducing factors, like smaller contacts, cable cross-sections, temperature, local regulations.

Latest amendment: 2024-03-14

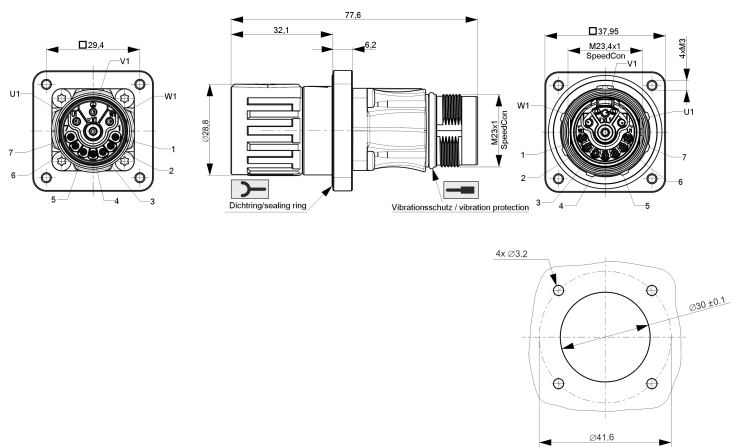


Fig. 7: RHS2305/A03

# 7 M23 Square mounting flange SpeedCon

## Technical data

Designation	Connector accessories	
Material number (accessory)	R911403772	
Square mounting flange for mounting at	RHS2301/CM01 RHS2302/CM01	RLS2301/CM01 RLS2301/CM02 RLS2308/CM03 RLS2311/CM05 RLS2302/CM01 RLS2302/CM02 RLS2309/CM03 RLS2312/CM05

Table 1: Square mounting flange

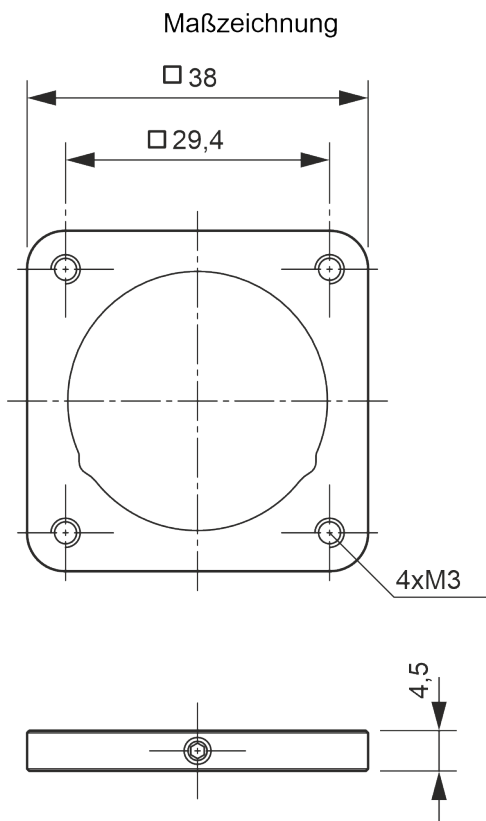


Fig. 8: Square mounting flange

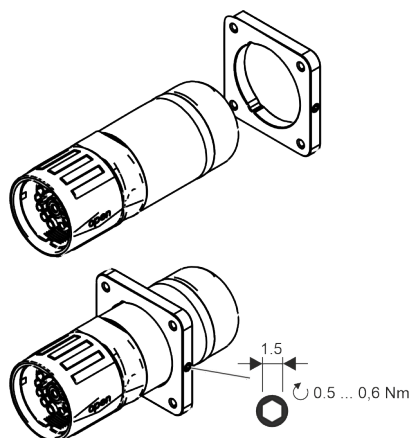


Fig. 9: Assembly square mounting flange

# 8 M23 Square mounting flange SpeedTec

## Technical data



Designation	Connector accessories	
Material number (accessory)	R911404525	
Square mounting flange for mounting at	RHS2321/CM03 RHS2322/CM03	RLS2352/CUB3 RLS2362/CUB3 RLS2372/CUB3
RoHS (China)	Period of intended use (EFUP): 50 years	

Table 2: Square mounting flange

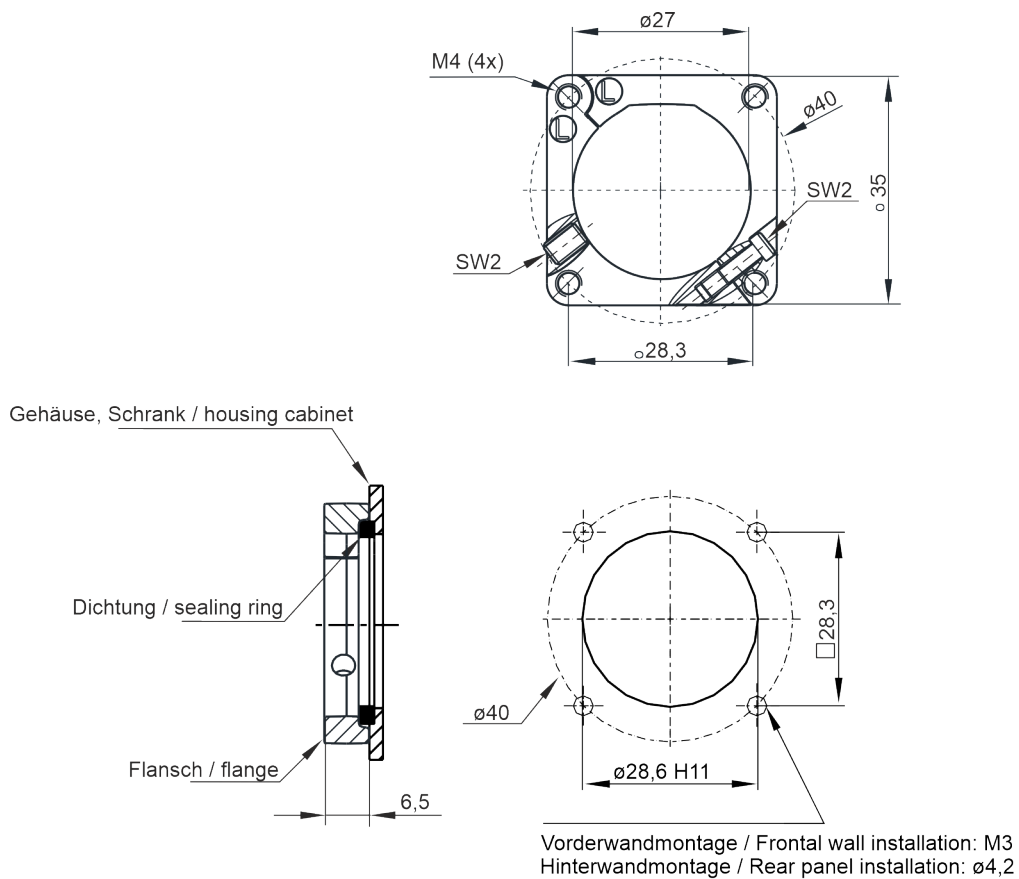


Fig. 10: Dimensions square mounting flange

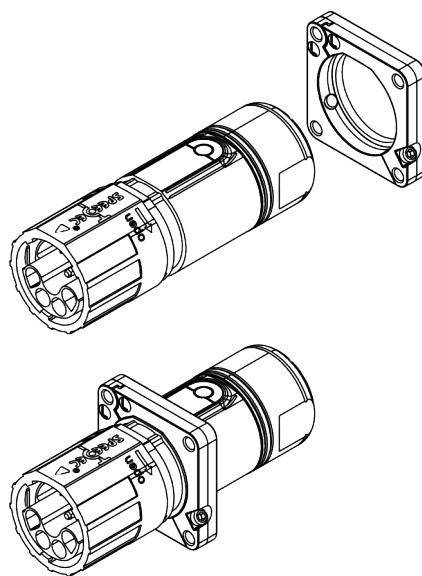


Fig. 11: Assembly square mounting flange

Bosch Rexroth AG  
Bgm.-Dr.-Nebel-Str. 2  
97816 Lohr a.Main  
Germany  
Tel. +49 9352 18 0  
Fax +49 9352 18 8400  
[www.boschrexroth.com/electrics](http://www.boschrexroth.com/electrics)



DC-AE/EPI5 (jowa, mb)