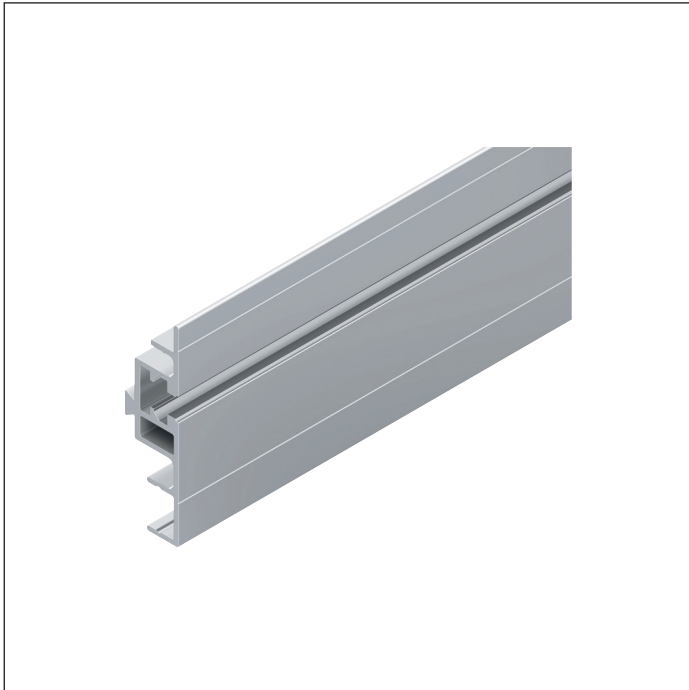


SECTION PROFILE MB AL 1/2 L VAR



To build a conveyor section, two open section profiles are required, which are connected by cross connectors.

- ▶ Same profile cross-section across all sizes
- ▶ Slot on the inside for attaching main components such as drive/return unit, curves, etc.
- ▶ A 10 mm outside slot for simple fastening of lateral guides, leg sets, or other accessories
- ▶ If required, lateral mounting of the sliding rail with centering groove as drill guide
- ▶ Special constructions can be attached quickly and simply with components from the modular aluminum framing system (MGE) through the 10 mm outside slot

The section profile is the supporting element for the construction of straight conveyor sections and allows for the attachment of all required components. The open

construction of the section profile allows dirt or foreign particles to be removed directly.

Required accessories

- ▶ Profile connector (3842530277)
- ▶ Clamping head (3842572105)
- ▶ Strut profile 30x30 (3842990720)
- ▶ Central bolt S8x25 (3842527174)
- ▶ Sliding rail, L- and C-shaped (3842572103, 3842572104)
- ▶ Support profile (3842997023, 3842572102)

Recommended accessories

- ▶ Cover profile (3842523258, 3842548876, 3842548877, 3842518367, 3842518368, 3842518369, 3842549888, 3842538955, 3842538957, 3842191182)
- ▶ Flange nut (3842345081)
- ▶ T-bolt (3842528715, 3842528718, 3842528721, 3842528724, 3842528727)
- ▶ Collar screw (3842541409)
- ▶ T-nut (3842530281, 3842530283, 3842530285, 3842530287)

Ordering information

| Product description | Delivery unit | Material number |
|---------------------------------|---------------|-----------------|
| SECTION PROFILE MB AL 1/2 L VAR | 1 | 3842997022 |

Technical data

| | |
|-----------------|-----------------------------|
| Material number | 3842997022 |
| Length L (mm) | 50 – 6070 |
| Material | Aluminum; natural, anodized |

The data specified within only serve to describe the product. As our products are constantly being further developed, no statements concerning a certain condition or suitability for a certain application can be derived from our information. The information given does not release the user from the obligation of own judgment and verification. It must be remembered that our products are subject to a natural process of wear and aging.

Dimensions

