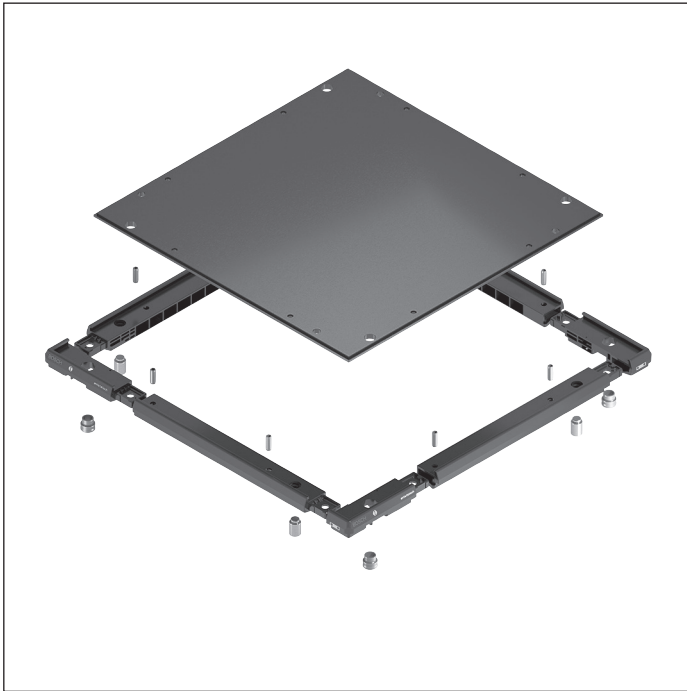


## Unassembled workpiece pallet kits

WT 2/S-UPA, WT 2/A-UPA, WT 2/AH-UPA,  
 WT 2/S-UPE, WT 2/A-UPE, WT 2/AH-UPE



Unassembled pallet kits are available in every standard catalog size, ranging from 160 mm x 160 mm to 1040 mm x 1040 mm.

They are available with either polyamide (PA) frames or with UHMW PE frames, which are required for use with roller chain conveyors.

Features and benefits of the unassembled kits include:

- ▶ Eliminates the need to disassemble an assembled pallet to machine the pallet plate.
- ▶ Positioning bushings can be pressed in after the support plate has been machined.
- ▶ One material number orders a complete unassembled pallet kit, eliminating the need to order individual components.
- ▶ Packaged on a per order basis rather than per piece basis, which allows for simpler assembly of multiple pallets.

Order unassembled pallet kits using the following part numbers.

**Note:** The standard components in the WT kits and assembled WTs can be found in Section 2.

US-specific kits and 6.35 mm thick carrying plates can only be found here in Section 14.

### Ordering information

Width of workpiece pallet $b_{WT}$ (mm)	Length of workpiece pallet $l_{WT}$ (mm)	Plate Thickness, steel $d_{PI}$ (mm)	Plate Thickness, aluminum $d_{PI}$ (mm)	Material number Unassembled kit – with polyamide wear strips	Material number Unassembled kit – with UHMW PE wear strips
160	160	4.85		<b>8981022200</b>	<b>8981022270</b>
160	160		6.35	<b>8981022201</b>	<b>8981022271</b>
160	160		12.7	<b>8981022202</b>	<b>8981022272</b>
160	240	4.85		<b>8981022203</b>	<b>8981022273</b>
160	240		6.35	<b>8981022204</b>	<b>8981022274</b>
160	240		12.7	<b>8981022205</b>	<b>8981022275</b>
160	320	4.85		<b>8981022206</b>	<b>8981022276</b>
160	320		6.35	<b>8981022207</b>	<b>8981022277</b>
160	320		12.7	<b>8981022208</b>	<b>8981022278</b>
160	400	4.85		<b>8981022209</b>	<b>8981022279</b>
160	400		6.35	<b>8981022210</b>	<b>8981022280</b>
160	400		12.7	<b>8981022211</b>	<b>8981022281</b>
160	480	4.85		<b>8981022212</b>	<b>8981022282</b>
160	480		6.35	<b>8981022213</b>	<b>8981022283</b>
160	480		12.7	<b>8981022214</b>	<b>8981022284</b>

14-6 **TS 2plus 7.0** | Additional components for US market  
 Unassembled workpiece pallet kits

Width of workpiece pallet $b_{WT}$ (mm)	Length of workpiece pallet $l_{WT}$ (mm)	Plate Thickness, steel $d_{PI}$ (mm)	Plate Thickness, aluminum $d_{PI}$ (mm)	Material number Unassembled kit – with polyamide wear strips	Material number Unassembled kit – with UHMW PE wear strips
240	240	4.85		8981022215	8981022285
240	240		6.35	8981022216	8981022286
240	240		12.7	8981022217	8981022287
240	320	4.85		8981022218	8981022288
240	320		6.35	8981022219	8981022289
240	320		12.7	8981022220	8981022290
240	400	4.85		8981022221	8981022291
240	400		6.35	8981022222	8981022292
240	400		12.7	8981022223	8981022293
240	480	4.85		8981022224	8981022294
240	480		6.35	8981022225	8981022295
240	480		12.7	8981022226	8981022296
320	320	4.85		8981022227	8981022297
320	320		6.35	8981022228	8981022298
320	320		12.7	8981022229	8981022299
320	400	4.85		8981022230	8981022300
320	400		6.35	8981022231	8981022301
320	400		12.7	8981022232	8981022302
320	480	4.85		8981022233	8981022303
320	480		6.35	8981022234	8981022304
320	480		12.7	8981022235	8981022305
320	640	4.85		8981022236	8981022306
320	640		6.35	8981022237	8981022307
320	640		12.7	8981022238	8981022308
400	400	4.85		8981022239	8981022309
400	400		6.35	8981022240	8981022310
400	400		12.7	8981022241	8981022311
400	480	4.85		8981022242	8981022312
400	480		6.35	8981022243	8981022313
400	480		12.7	8981022244	8981022314
400	640	4.85		8981022245	8981022315
400	640		6.35	8981022246	8981022316
400	640		12.7	8981022247	8981022317
400	800	4.85		8981022248	8981022318
400	800		6.35	8981022249	8981022319
400	800		12.7	8981022250	8981022320
480	480	4.85		8981022251	8981022321
480	480		6.35	8981022252	8981022322
480	480		12.7	8981022253	8981022323
480	640	4.85		8981022254	8981022324
480	640		6.35	8981022255	8981022325
480	640		12.7	8981022256	8981022326
480	800	4.85		8981022257	8981022327
480	800		6.35	8981022258	8981022328
480	800		12.7	8981022259	8981022329

<b>Width of workpiece pallet <math>b_{WT}</math> (mm)</b>	<b>Length of workpiece pallet <math>l_{WT}</math> (mm)</b>	<b>Plate Thickness, steel <math>d_{PI}</math> (mm)</b>	<b>Plate Thickness, aluminum <math>d_{PI}</math> (mm)</b>	<b>Material number Unassembled kit – with polyamide wear strips</b>	<b>Material number Unassembled kit – with UHMW PE wear strips</b>
640	640	4.85		<b>8981022260</b>	<b>8981022330</b>
640	640		6.35	<b>8981022261</b>	<b>8981022331</b>
640	640		12.7	<b>8981022262</b>	<b>8981022332</b>
640	800	4.85		<b>8981022263</b>	<b>8981022333</b>
640	800		6.35	<b>8981022264</b>	<b>8981022334</b>
640	1040		12.7	<b>8981022265</b>	<b>8981022335</b>
800	800	4.85		<b>8981022266</b>	<b>8981022336</b>
800	800		6.35	<b>8981022267</b>	<b>8981022337</b>
800	1040		12.7	<b>8981022268</b>	<b>8981022338</b>
1040	1040		12.7	<b>8981022269</b>	<b>8981022339</b>