

Stop gate VE 2/D-60



- ▶ Pneumatic stop gate
- ▶ Optimal damping for workpiece pallet total weights up to 60 kg
- ▶ Continuously adjustable damping
- ▶ Can be combined with WT 2/E, WT 2 and WT 2/F
- ▶ Suitable for use in an EPA

Dampened stopping of the first accumulating workpiece pallet. The stop gate stops one or more accumulating workpiece pallets at the defined stop surface of the workpiece pallet stop surface. When the pressure is

released, the stop gate is held in the lock position by a spring and the workpiece pallet is stopped. Mounted inside the tracks, directly on the conveyor section.

Recommended accessories

- ▶ Return stop VE 2/RS (3842531696)

Scope of delivery

- ▶ Incl. all fastening material to mount on the conveyor section ST 2/...
- ▶ Pneumatic elements

Condition on delivery

- ▶ Assembled

Ordering information

Product description	Material number
Stop gate VE 2/D-60	3842572959

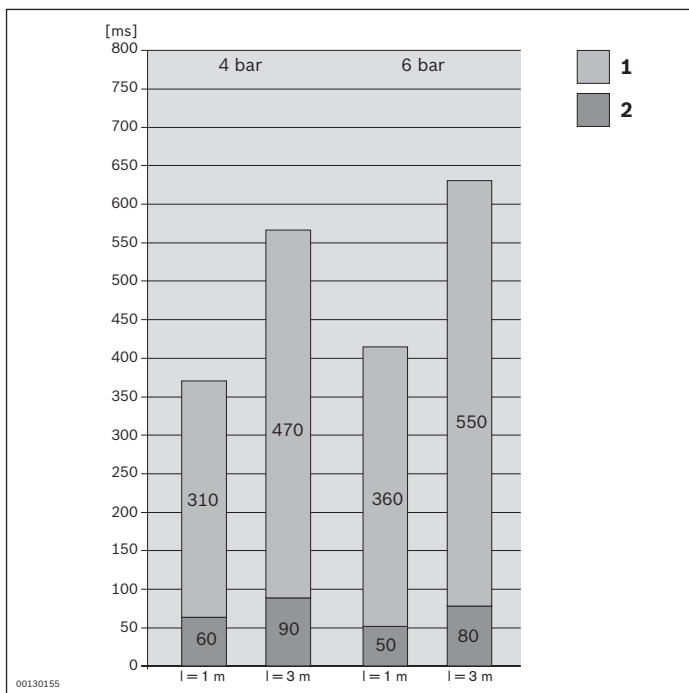
Technical data

Material number			3842572959
Max. total workpiece pallet weight	m_G	kg	60
Min. workpiece pallet weight	m	kg	1
ESD			Yes
Material specification			Housing: Aluminum; hard anodized Stop cam: Steel; hardened
Operating temperature ¹⁾		°C	+5 ... +60
Required compressed air connection	p	bar	4 ... 6
Push in air connection	Ø	mm	4

¹⁾ High-temperature stop gate on request

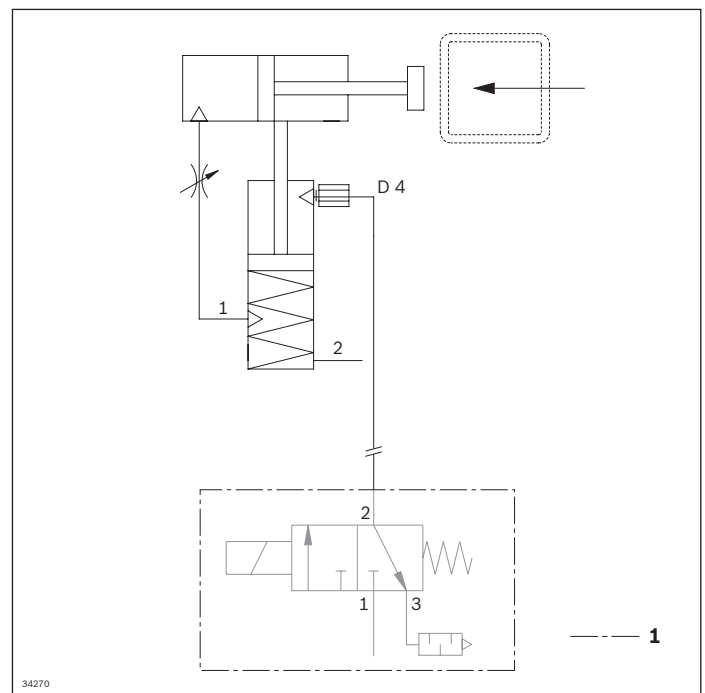
Permitted total weight of workpiece pallet		Nominal speed
m_G	(kg)	v_N (m/min)
	60	6
	40	9
	35	12
	30	15
	30	18
	24	24

Opening and shutting times



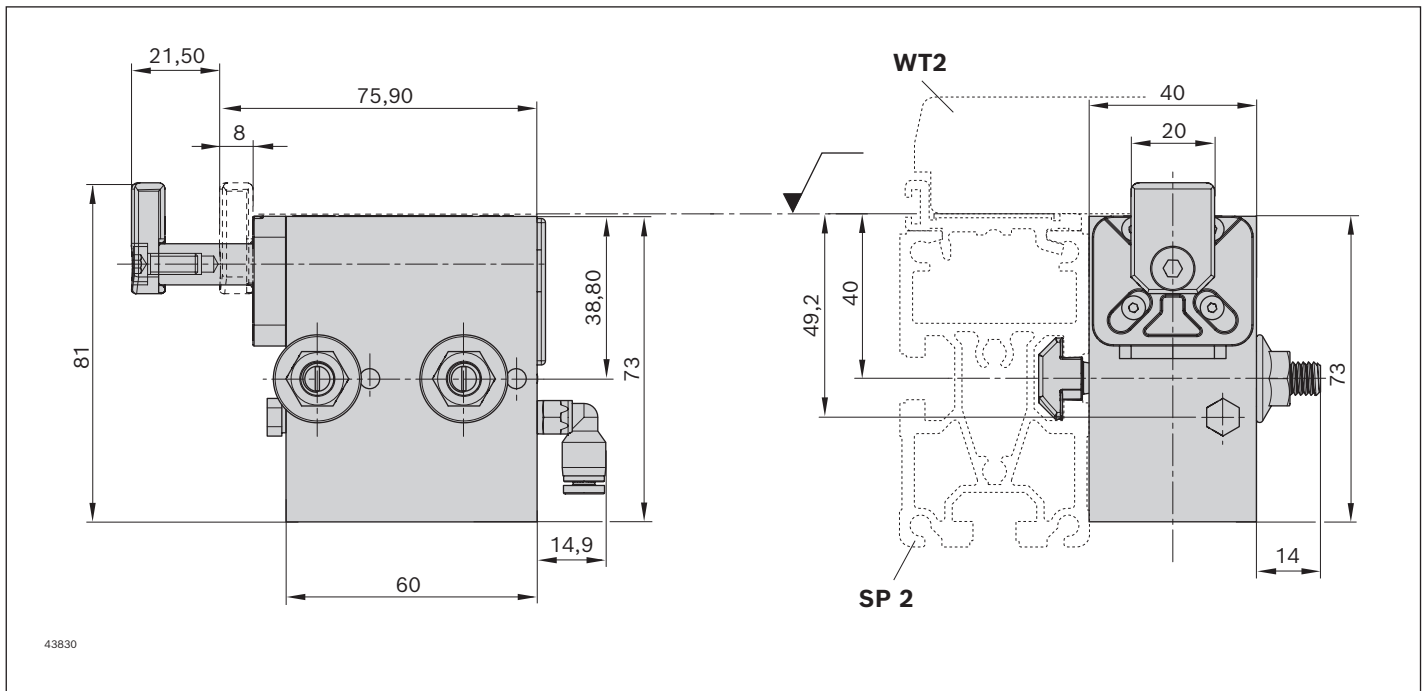
l = Hose length
1 Close
2 Open at 4 bar

Circuit diagram



The data specified above only serves to describe the product. Due to the continuing development of our products, no statements concerning a certain condition or suitability for a certain application can be derived from our information. The information given does not exempt the user from the obligation of own judgment and verification. It must be remembered that our products are subject to a natural process of wear and aging.

Dimensions



The data specified above only serves to describe the product. Due to the continuing development of our products, no statements concerning a certain condition or suitability for a certain application can be derived from our information. The information given does not exempt the user from the obligation of own judgment and verification. It must be remembered that our products are subject to a natural process of wear and aging.