

Light-years ahead.

NEXO. A new world of joining technology.



www.boschrexroth.com/nexo

rexroth
A Bosch Company

POWER YOUR PROCESSES

with the cordless nutrunner NEXO from Bosch Rexroth

Challenges

LIGHTYEARS AHEAD - The new cordless nutrunner NEXO guarantees maximum freedom with the **highest levels of precision** and accuracy, meeting all requirements for **safety-critical tightening operations according to VDI/VDE 2862**. Available in **both pistol or right-angle nutrunner models**. You get intuitive, modern, and user-friendly tools with significantly improved **ergonomics and increased flexibility** thanks to the browser-based operating system and complete on-board control system.



A PROVEN CONCEPT TRANSFORMED

Whether in the automotive industry, industrial production, or mechanical assembly: In numerous cases processes require safety-critical tightening which must be fastened and documented precisely, repeatably and reliably. For manufacturers, the focus is on cost-effective assembly that is as defect free as possible. With the new compact and ergonomic generation of the NEXO cordless nutrunner from Bosch Rexroth, these requirements are met quickly and securely.

The intuitive and modern user interface ensures ease of use. Browser-based software removes the need for installation software or dedicated computers, thus allowing setup, configuration and monitoring from any browser based device such as a laptop, tablet or smartphone.

Decentralized operation and extended diagnostic options directly on the nutrunner's large color display increase user engagement at every step of the process.

Integration of the Bosch ProCORE18V battery platform enables our tools to achieve both high performance and reduced weight. Quick battery recharging technology and keep-alive functionality between battery changes ensure minimal downtimes with the NEXO.



YOUR ADVANTAGES

The new cordless nutrunner NEXO from Bosch Rexroth provides manufacturing companies with intuitive, modern and user-friendly tools offering significantly improved ergonomics and reliable performance. The browser-based operating system and the modern display provide a clear overview of the current tightening results – on both remote devices or directly on the integrated display. The hand-held tool, available as a pistol or right-angle nutrunner, meets the requirements of the VDI/VDE 2862 guideline for category A tightening applications and is therefore suitable for safety-critical tightening operations.



Accuracy

- ▶ "Best in class"



Robust Maintenance free design

- ▶ Long life without maintenance



Handling and Ergonomics

- ▶ Excellent balance and improved ergonomics
- ▶ Ergonomic non-slip handle



Best battery Platform

- ▶ Bosch ProCORE18V
- ▶ Global availability
- ▶ Battery exchanges without shutdown



Perfect Process Control

- ▶ Large integrated display e.g. for operator guidance systems
- ▶ Highest integration level of onboard controller



Better accessibility

- ▶ Smaller output drives for better access

FEATURES





Largest integrated display on the market

Stand alone or direct wireless network integration

Over the air update ready

Status indicators via configurable LEDs (top + bottom)

Global battery platform for industrial tools

PRODUCT OVERVIEW

The right tool for every application

The NEXO is available as Pistol or right-angle nutrunner for the torque range 3 to 65 Nm.



NEXO. Worldwide.



Country-specific material numbers see p. 13

THE MULTI-BRAND BATTERY ALLIANCE



Fully compatible

AMPShare batteries are fully compatible with all tools within the multi-brand alliance – including the entire Bosch Professional 18V-Systems.

Leading battery tech

Extreme power, long runtimes, outstanding durability – and the world’s fastest charging technology.

**Many brands.
Many tools.**

ONE BATTERY SYSTEM.

Professional expertise

All members of the AMPShare alliance are leading expert brands in their field – meeting the highest demands of trade and industry.

Save time and money

No more buying new batteries for every new tool. No more searching for the “right” battery. With AMPShare, one battery does the job.



AMPShare is the multi-brand battery system for trade and industry professionals. With just one shared battery system, you have the flexibility to switch between pro tools and brands – without thinking twice.

With over 85 million batteries sold and a fastgrowing alliance, AMPShare is the 18V battery system you can build on. In addition, AMPShare tools have been fully compatible with Bosch Professional 18V batteries and chargers since 2008.

Save space and effort

Reduce clutter and compexity. With AMPShare, you never need to carry different batteries and chargers on the job again.

A growing alliance

Your AMPShare battery today will be compatible with even more tools from even more brands in the future.



More information on ampshare.de



HIGH PERFORMANCE

You need more power? Our powerful ProCORE18V batteries, as part of AMPShare, offer extreme power for the toughest jobs and materials.



COOLPACK-TECHNOLOGY

Outstanding thermal management enables rapid heat dissipation, which extends the lifetime of AMPShare batteries and offers exceptionally long runtimes.



COMPACT AND LIGHT

AMPShare batteries are compact and lightweight for ergonomic and more comfortable working, especially in unfavorable positions.



FASTEST CHARGING TIME







We not only have the fastest charger in the world*, but also a wide range of chargers for one and more batteries.

* In Power Boost mode, the GAL 18V-160 C Professional charges the ProCORE18V 4.0Ah to 50 % within 9 minutes.


The NEXO is designed for use with BOSCH ProCORE 18V batteries (4.0Ah, 5.5Ah, 8.0Ah). These batteries are part of the AMPShare Alliance.

For charger and battery compatibility, see here:



Charger		ProCORE18V 4.0Ah	ProCORE18V 5.5Ah	ProCORE18V 8.0Ah	
Charging time (in minutes)					
	GAL 18V-160 ULTRA-FAST CHARGER	50 %	9*	13*	15*
		100 %	35*	35*	44*
	GAL 1880 CV FAST CHARGER	100 %	51	49	79
	GAL 18V6-80 MULTIBAY FAST CHARGER	100 %	50	47	68
	GAL 18V-40 COMPACT CHARGER	100 %	65	84	124
	GAX 18V-30 CHARGER	100 %	96	101	169
	GAL 18V-20 CHARGER	100 %	128	171	238

* In Power Boost mode

 Recommended combination of battery and charger. Values may vary depending on the tool and depend on the application and ambient conditions For more information: <https://www.bosch-professional.com/wac>



ProCORE18V 4.0Ah



ProCORE18V 5.5Ah



ProCORE18V 8.0Ah



GAL 18V 160 Professional

TECHNICAL DATA

Type	Torque range [Nm]	Width [mm]	Length [mm]	Height [mm]	Weight (without battery) [kg]	Weight (with battery 4Ah) [kg]	RPM	Tool mount
NXC-P015; DS015-QC1/4"	3 - 14	74	220	218	1,14	1,66	1100	1/4" quick change chuck
NXV-A015; AH-S015; DS015-QC1/4"	3 - 14	74	402	117	1,35	1,86	1100	1/4" quick change chuck
NXV-A015; AH-S030; DS030-QC1/4"	6 - 28	74	412	117	1,48	1,99	500	1/4" quick change chuck
NXV-A015; G-SM-4,5; AH-M060; DS030-QC7/16"	12 - 60	74	490	117	2,09	2,61	200	7/16" quick change chuck
NXV-A015; AH-S065-3/8"-LB	13 - 65	74	476	117	1,78	2,30	200	3/8" square edge
NXV-A015	3 - 14	74	342	117	1,10	1,62	1100	Base tool with threaded flange for mounting of special output drives
NXV-P015	3 - 14	74	198	218	1,12	1,64	1100	Base tool with threaded flange for mounting of special output drives

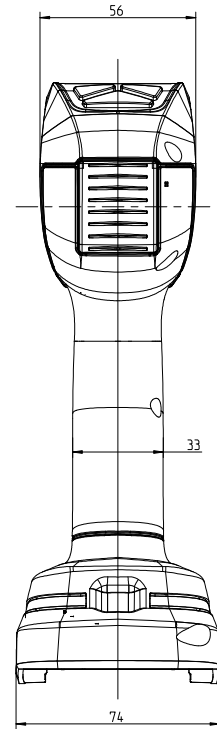
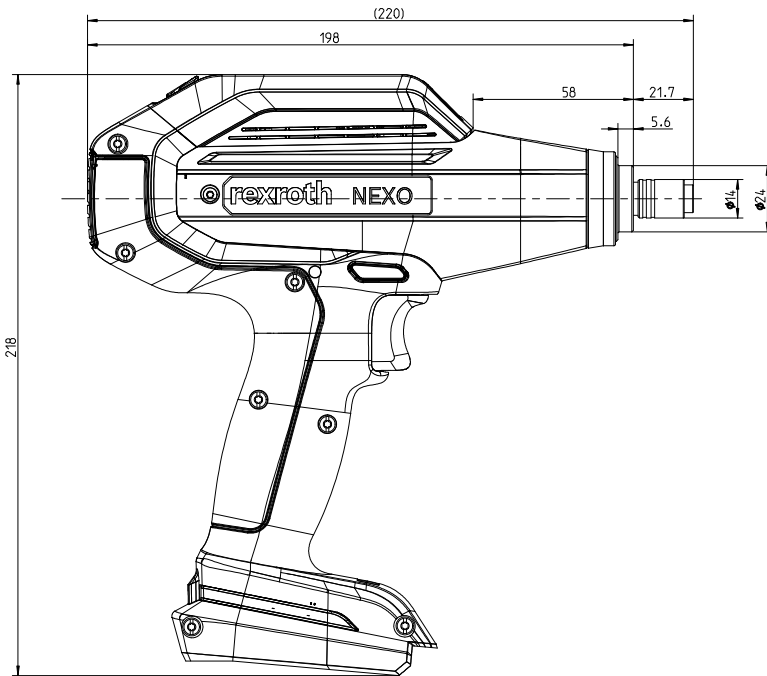
Country-specific material numbers

Target country	NXC-P015; DS015-QC1/4"	NXV-P015	NXC-A015; DS015-QC1/4"	NXV-A015	NXV-A015; AH-S015; DS015-QC1/4"	NXV-A015; AH-S030; DS030-QC1/4"	NXV-A015; G-SM-4,5; AH-M060; DS030-QC7/16"	NXV-A015; AH-S065-3/8"-LB
Europe	0608842101	0608842102	0608842103	0608842104	0608842100	0608842105	0608842124	0608842247
Great Britain	0608842119	0608842120	0608842121	0608842122	0608842118	0608842123	0608842127	0608842250
USA	0608842113	0608842114	0608842115	0608842116	0608842112	0608842117	0608842126	0608842249
Kanada	0608842241	0608842242	0608842243	0608842244	0608842240	0608842245	0608842246	0608842267
Mexiko	0608842129	0608842130	0608842131	0608842132	0608842128	0608842133	0608842134	0608842251
Brazil	0608842136	0608842137	0608842138	0608842139	0608842135	0608842140	0608842141	0608842252
Argentina	0608842157	0608842158	0608842159	0608842160	0608842156	0608842161	0608842162	0608842255
South Africa	0608842192	0608842193	0608842194	0608842195	0608842191	0608842196	0608842197	0608842260
Egypt	0608842234	0608842235	0608842236	0608842237	0608842233	0608842238	0608842239	0608842266
Saudi Arabia	0608842185	0608842186	0608842187	0608842188	0608842184	0608842189	0608842190	0608842259
India	0608842143	0608842144	0608842145	0608842146	0608842142	0608842147	0608842148	0608842253
China	0608842107	0608842108	0608842109	0608842110	0608842106	0608842111	0608842125	0608842248
Japan	0608842206	0608842207	0608842208	0608842209	0608842205	0608842210	0608842211	0608842262
Thailand	0608842150	0608842151	0608842152	0608842153	0608842149	0608842154	0608842155	0608842254
Vietnam	0608842171	0608842172	0608842173	0608842174	0608842170	0608842175	0608842176	0608842257
Singapore	0608842227	0608842228	0608842229	0608842230	0608842226	0608842231	0608842232	0608842265
Malaysia	0608842178	0608842179	0608842180	0608842181	0608842177	0608842182	0608842183	0608842258
Indonesia	0608842213	0608842214	0608842215	0608842216	0608842212	0608842217	0608842218	0608842263
South Korea	0608842199	0608842200	0608842201	0608842202	0608842198	0608842203	0608842204	0608842261
Taiwan	0608842220	0608842221	0608842222	0608842223	0608842219	0608842224	0608842225	0608842264
Australia	0608842164	0608842165	0608842166	0608842167	0608842163	0608842168	0608842169	0608842256

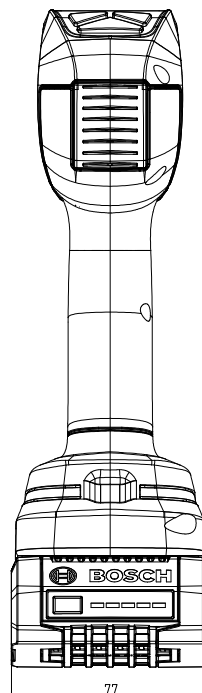
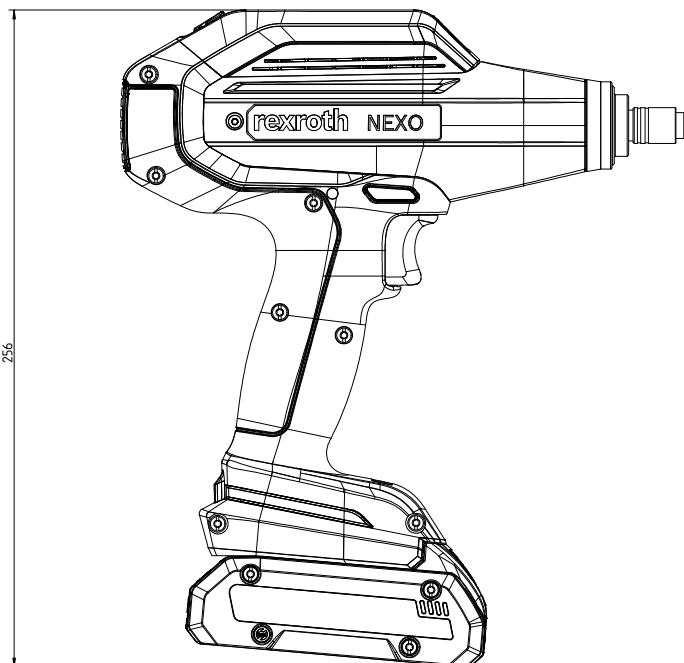
Dimensions

NXC-P015;DS015-QC1/4"

Without battery:

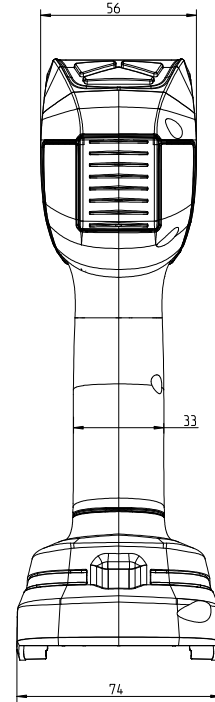
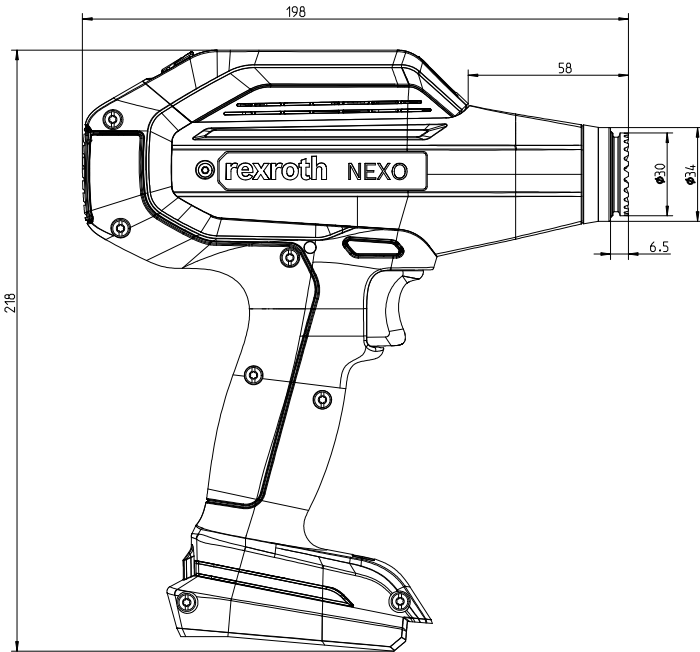


With battery:

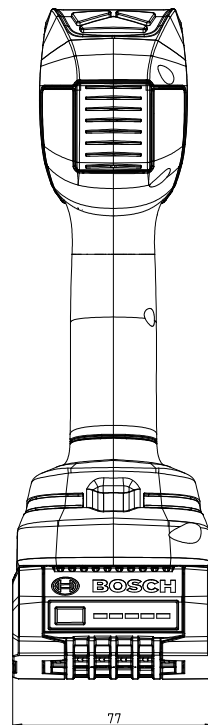
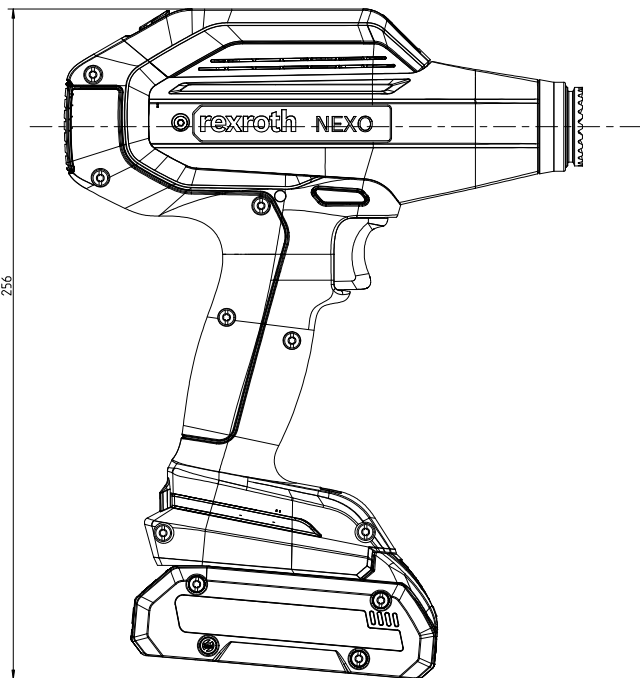


NXV-P015

Without battery:

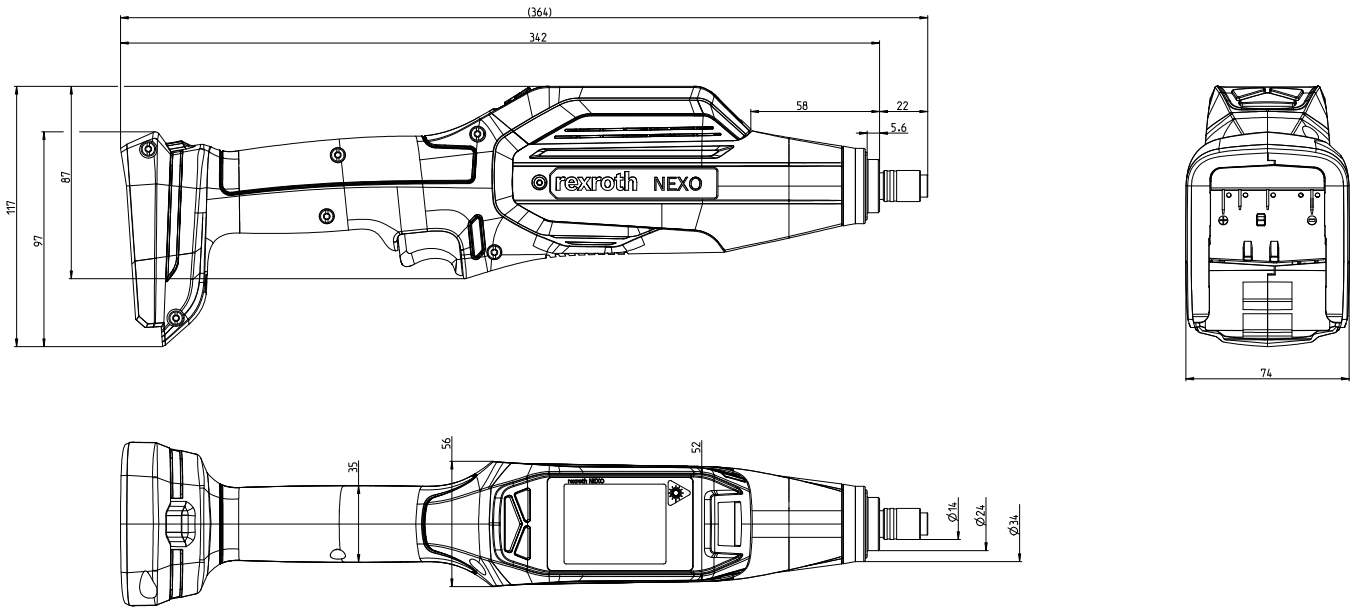


With battery:

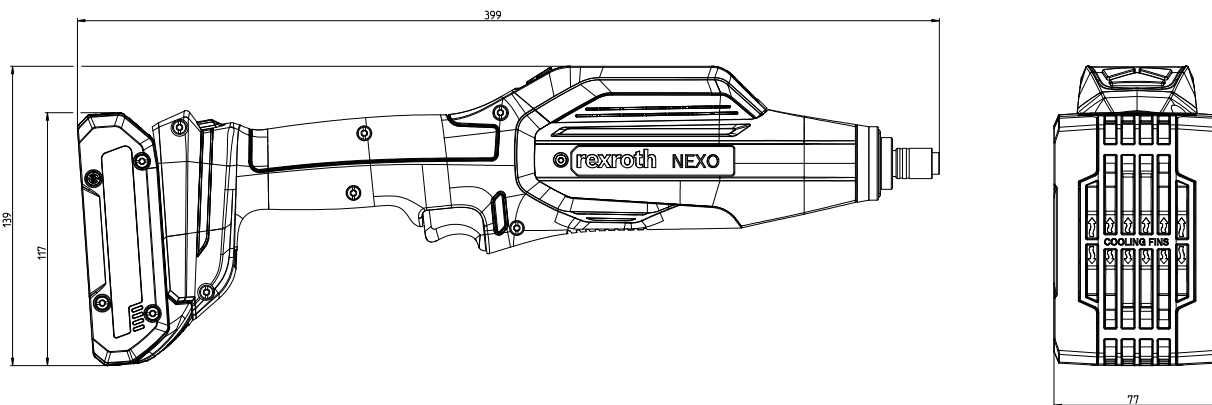


NXC-A015;DS015-QC1/4"

Without battery:

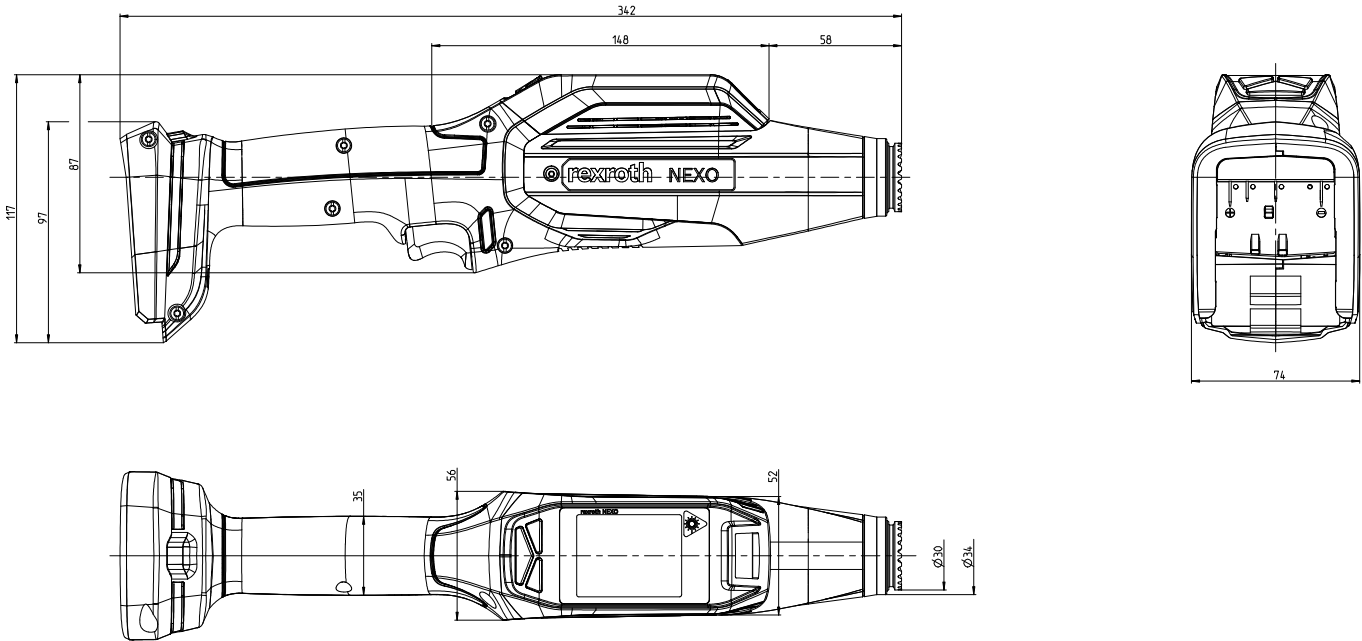


With battery:

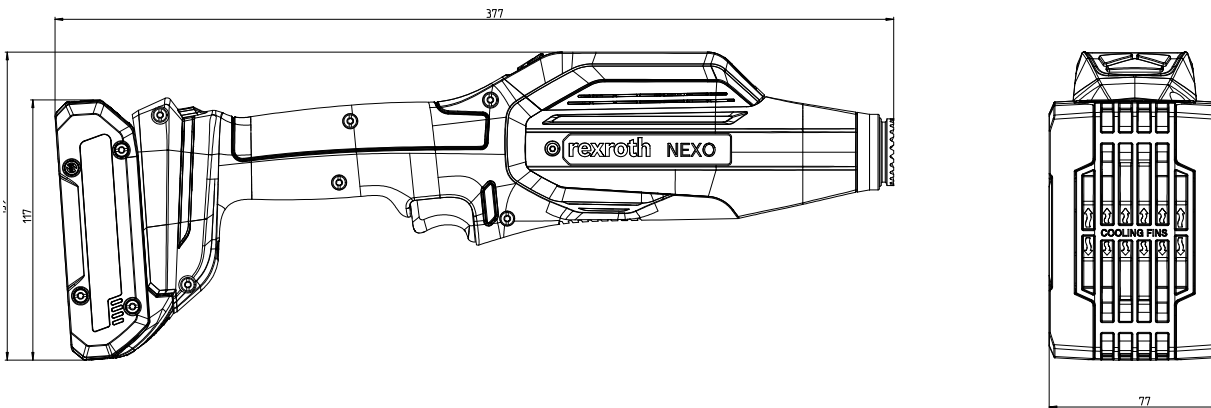


NXV-A015

Without battery:

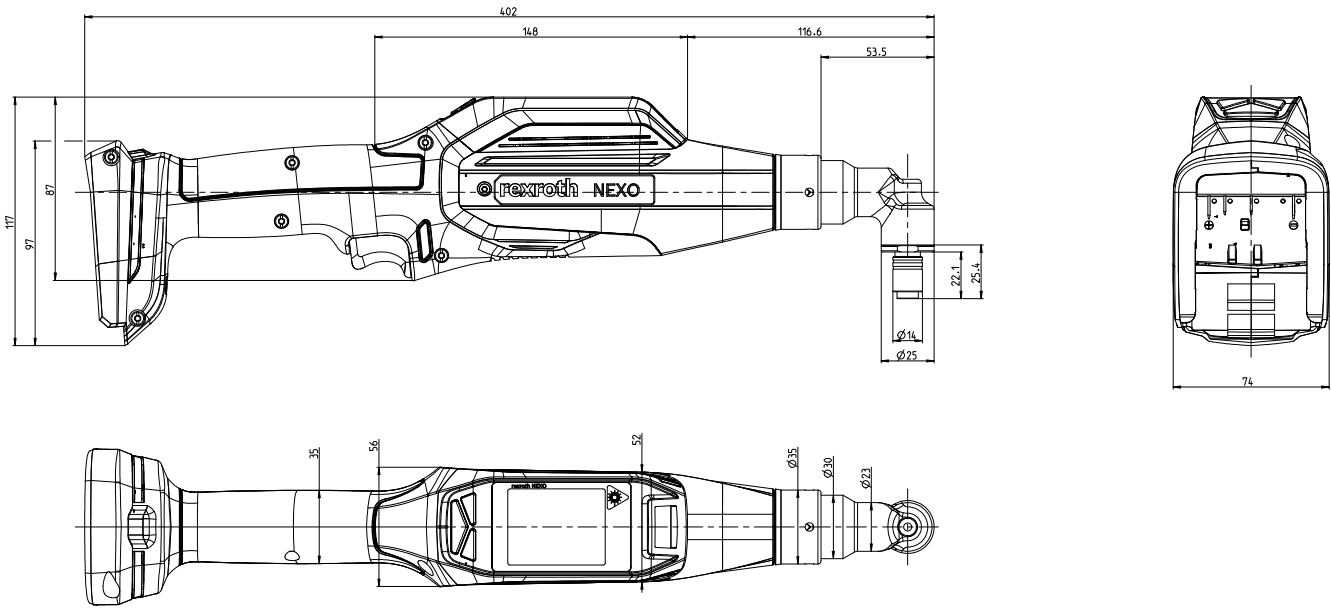


With battery:

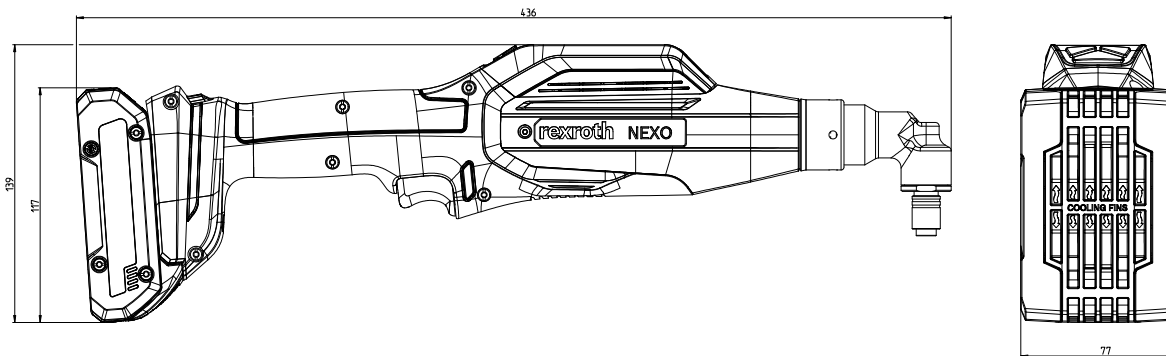


NXV-A015;AH-S015;DS015-QC1/4"

Without battery:

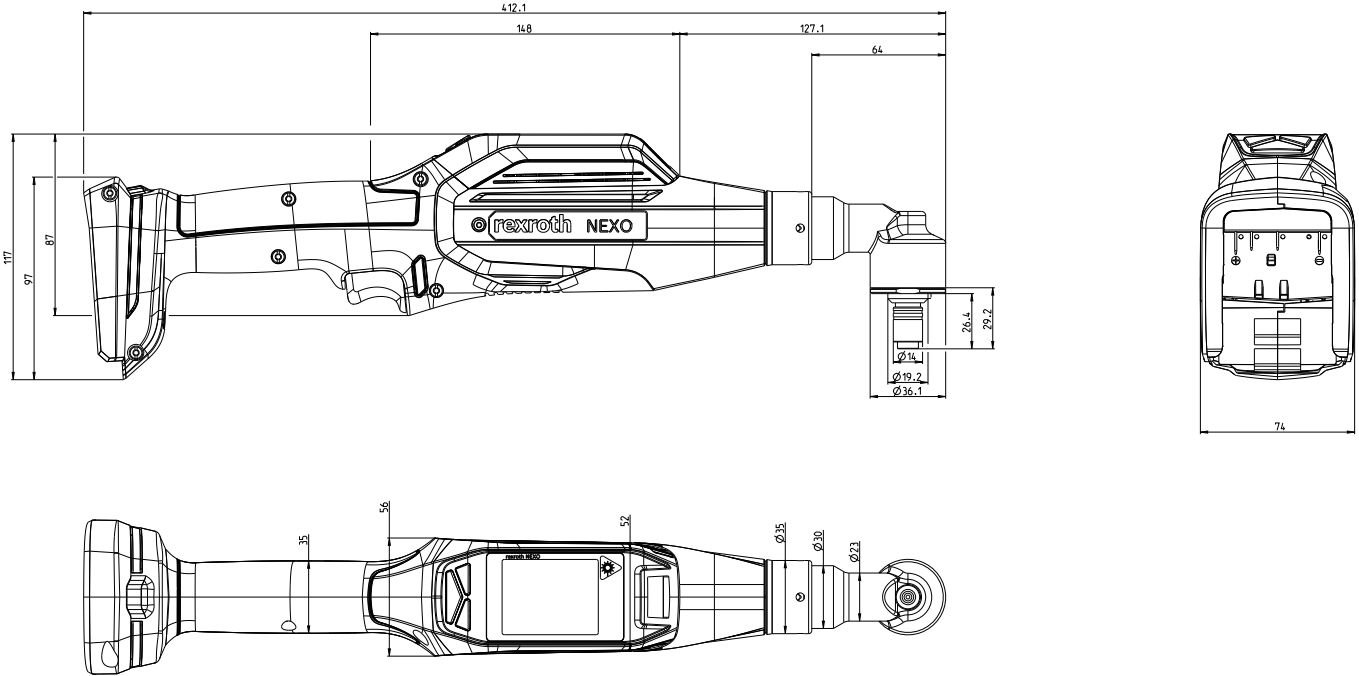


With battery:

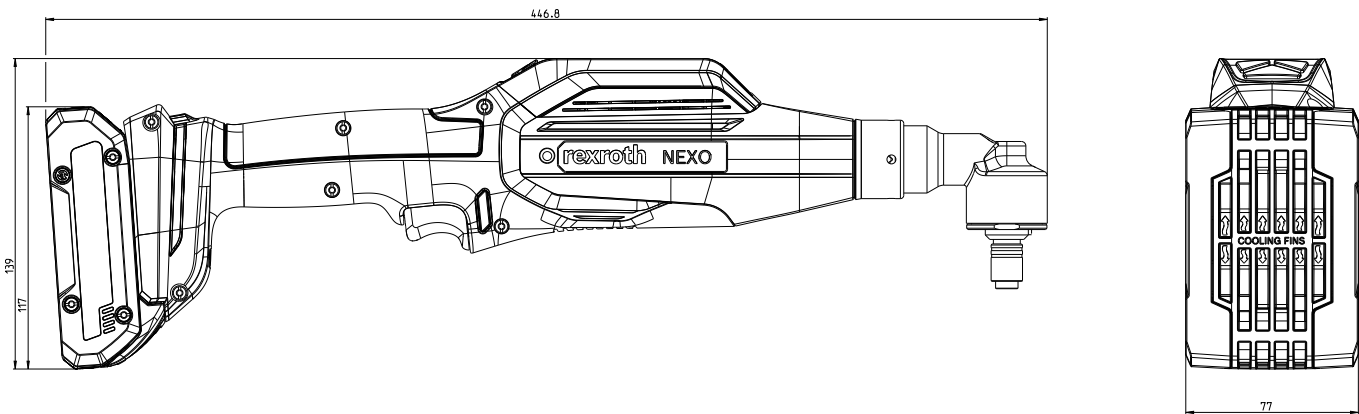


NXV-A015;AH-S030;DS030-QC1/4"

Without battery:

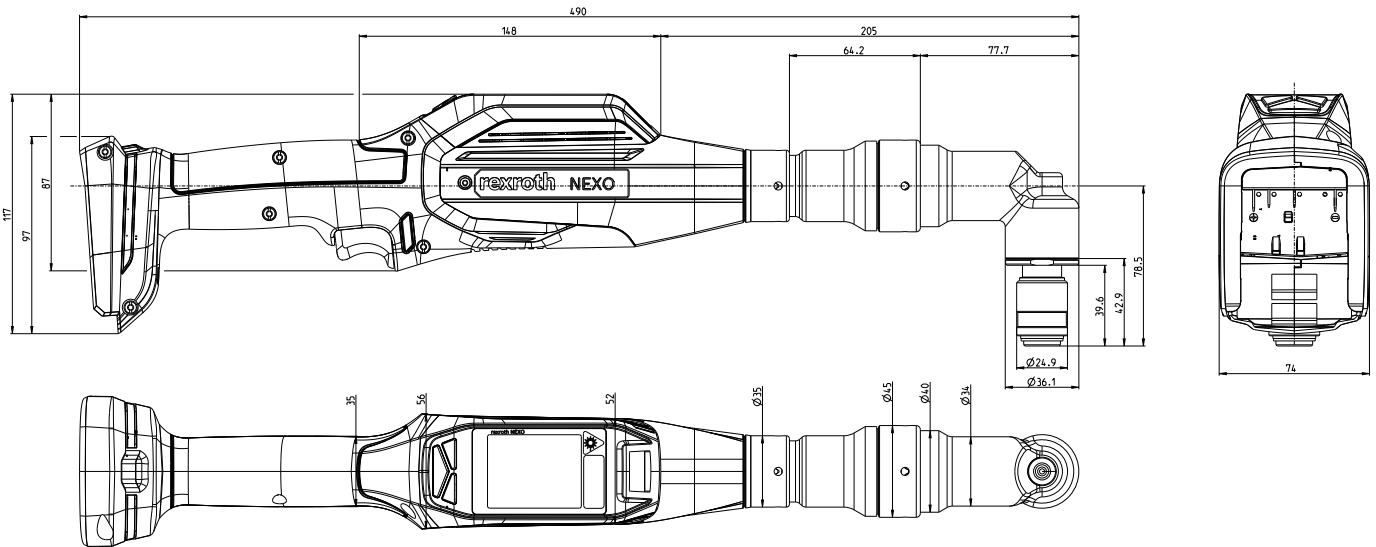


With battery:

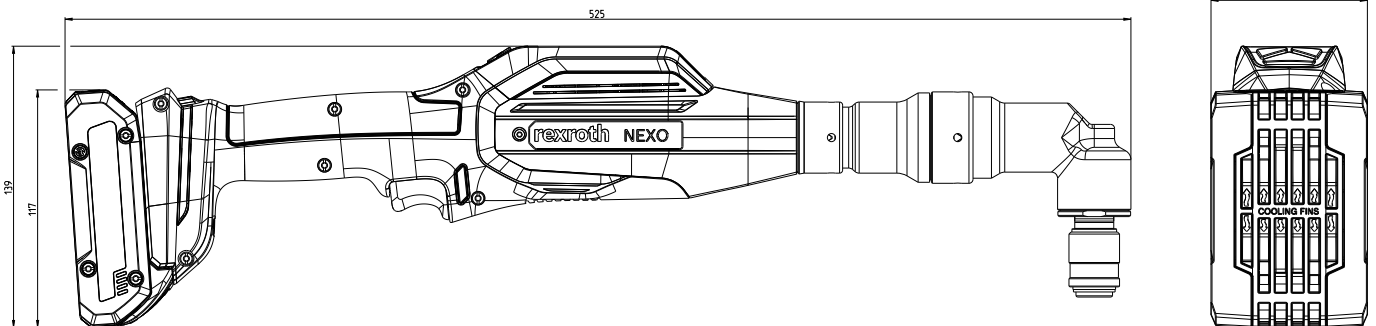


NXV-A015;G-SM-4,5;AH-M060; DS030QC1/4"

Without battery:

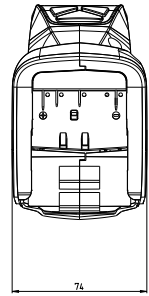
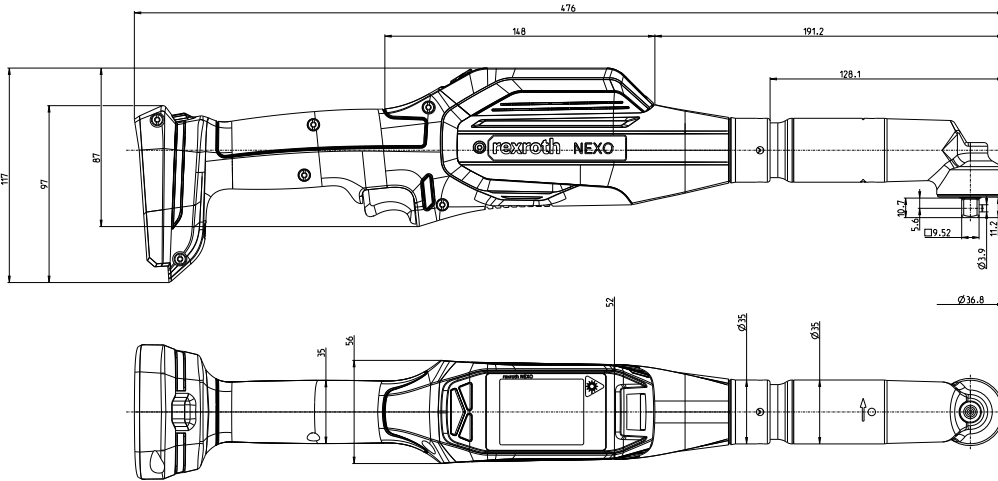


With battery:

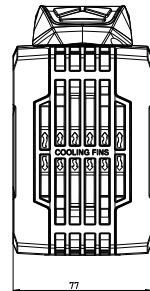
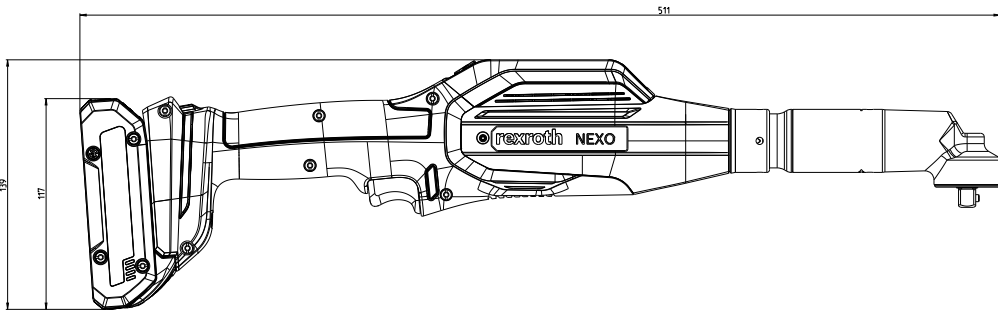


NXV-A015;AH-S065-3/8"-LB

Without battery:



With battery:



Accessories

Batteries and Charger

Material number	Code	Description
1600A016GB	GBA 18V 4.0Ah	Bosch ProCORE 18V 4.0Ah Professional (Fig. 1)
1600A016GK	GBA 18V 8.0Ah	Bosch ProCORE 18V 8.0Ah Professional (Fig. 2)
1600A02T5G	GAL 18V-160	GAL18V-160 Professional (Fig. 3)



Fig. 1: ProCORE 18V 4.0Ah Professional



Fig. 2: ProCORE 18V 8.0Ah Professional



Fig. 3: GAL 18V-160 Professional

Isolation kits

Material number	Code	Description
0608843104	NX2PP015	Isolation kit NX2PP015* (Fig. 4)
0608843103	NX2AP015	Isolation kit NX2AP015* (Fig. 5)
0608843106	NX2AP030	Isolation kit NX2AP030*
0608843114	NX2AP015QC	Isolation kit NX2AP015QC* (quick change chuck)
0608843115	NX2AP030QC	Isolation kit NX2AP030QC* (quick change chuck)

* For battery mounting, designed for up to 1000 volts



Fig. 4: Isolation kit NX2PP015



Fig. 5: Isolation kit NX2AP015

Other Accessories

Material number	Code	Description
0608843100	NX2A-PC	Backpack Cover control unit Angle (Fig. 3)
0608843101	NX2P-PC	Backpack Cover control unit Pistol
0608843105	ES-200	Extension
0608843107	NX2PT	Tool Holder Middle Grip (Fig. 2)
0608843108	NX2AS	Suspension Angle Fixed (Fig. 1)
0608843110	NX2APAH1 KIT	Protection Cap Angle Head S15 Kit (Fig. 4) (Angle head not included)
0608843111	NX2APAH2 KIT	Protection Cap Angle Head S30 Kit (Angle head not included)
0608843112	NX2-A	Programming Adaptor
0608843005	NX-SD	MICROSD CARD
3608876626	ESAT	HOLDER FOR RIGHT-ANGLE NUTRUNNERS
0608843004	NXPB	SUSPENSION FOR PISTOLGRIP NUTRUNNERS



Fig. 1: Suspension Angle Fixed




Fig. 2: Tool Holder Middle Grip



Fig. 3: Backpack Cover control unit Angle



Fig. 4: Protection Cap Angle Head S15 Kit



The data specified within only serve to describe the product. As our products are constantly being further developed, no statements concerning a certain condition or suitability for a certain application can be derived from our information. The information given does not release the user from the obligation of own judgment and verification. It must be remembered that our products are subject to a natural process of wear and aging.

R999002458 (2026-01)
© Bosch Rexroth AG 2026
Subject to change without notice!

Bosch Rexroth AG P.O.
Postfach 30 02 07
70442 Stuttgart
Germany

www.boschrexroth.com

rexroth
A Bosch Company