



*Dispensing head made by ViscoTec

SMART FUNCTION KIT THE NEXT GENERATION OF DISPENSING

THE SMART AND QUICK SYSTEM SOLUTION FOR A WIDE RANGE OF DISPENSING TASKS

The Smart Function Kit for Dispensing is an ideal subsystem for various dispensing applications, e.g. sticking or sealing. The kit can be used in a range of areas from the automotive and packaging industry to battery and semiconductor production. The integration of various compatible dispensing heads allows you to carry out dispensing processes including spreading, filling or spraying.

MAXIMUM FLEXIBILITY AND PRODUCTIVITY

The simple product selection via LinSelect and quick configuration allow you to put together individual subsystems which are perfectly tailored to each other. A wizard enables you to commission the subsystem and dispensing head quickly and easily, thus ensuring that you can start the process as quickly as possible. Processes can be set up using graphical programming which includes ready-to-use function blocks such as “dispense” “flush” and “wipe needle”. The modern and intuitive web-based user interface gives users an extensive overview of efficiency, program flow, production history and current process data such as position, throughflow quantity and cycle time.

ARE YOU READY FOR PLUG & PRODUCE?

Find out more about the Smart Function Kit for Dispensing now and contact us for customer-specific application advice:
smartproducts@boschrexroth.de

SYSTEM OVERVIEW

- ▶ Predefined kits consisting of perfectly matched hardware components and software
- ▶ Best-in-class linear axes
- ▶ Complete automation hardware (drive controller, control system, servo motors)
- ▶ Browser-based WEB HMI for commissioning, process configuration, operation and analysis.
- ▶ Compatible with various dispensing heads such as ViscoTec

BENEFITS

- ▶ Simple - Pre-selected kits for product selection and configuration
- ▶ Intuitive - Pre-installed operating software, zero programming, WEB HMI
- ▶ Quick – Wizard for commissioning
- ▶ Complete – All components from a single supplier
- ▶ Compatible – Various dispensing systems can be integrated

QUICKER AND SMARTER DISPENSING

The Smart Function Kit for Dispensing is based on best-in-class linear motion technology components from Bosch Rexroth, combined with innovative control technology and the very latest software. Compatibility with various dispensing systems makes it possible to create perfectly tailored system solutions for a range of dispensing applications. The Smart Function Kit is also available for pressing and joining applications as well as handling tasks.

SMART FUNCTION KITS: INTELLIGENT AND FUTURE-VIABLE FEATURES



Easy product selection with modern eTools for sizing and configuration.



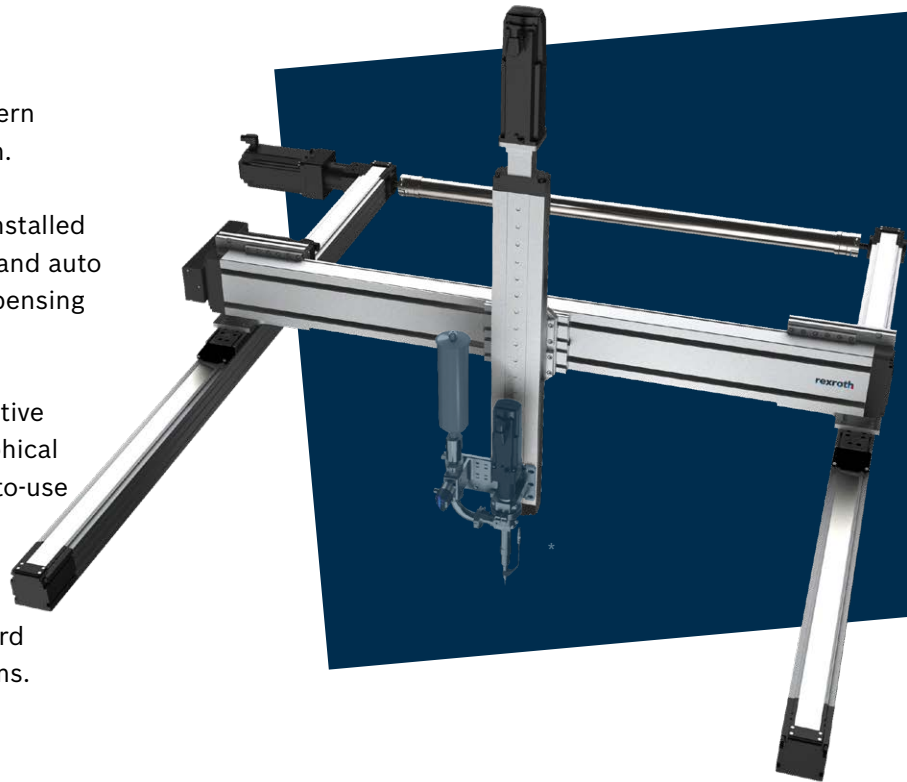
Plug and produce thanks to pre-installed operating software with a wizard and auto parameterization, also for the dispensing head.



Zero programming thanks to intuitive software for straightforward, graphical process configuration with ready-to-use function blocks.



Open interfaces for straightforward integration into higher-level systems.



ARE YOU READY FOR THE FACTORY OF THE FUTURE?

Learn more about our Smart MechatroniX solution platform and take the next step with us.
NOW. NEXT. BEYOND.