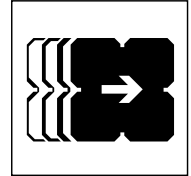


BRL SIS (Sales Information Service)

Herausgeber Issued by	Bearbeiter Responsible	Telefon Phone	Datum Date
BRL/SVC1	Hr. Wagner	+49-711- 811 - 7836	2006-03-24

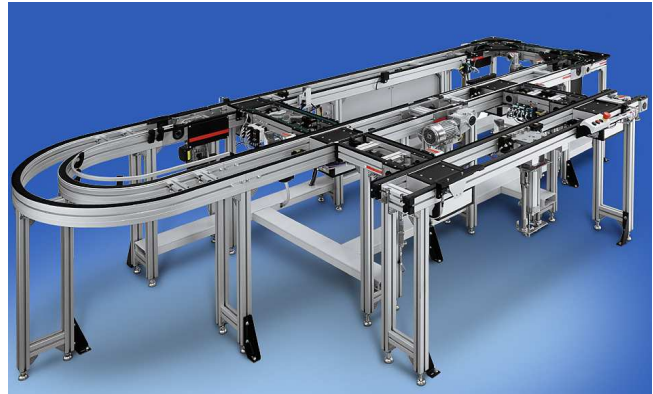
**Material and information flow technology****TS 2plus Training****S2006-01 EN**

For assembly, commissioning, and maintenance

We are once again able to offer 4 training seminars in 2006.

The first training seminar will take place from February 21-22, 2006, in Stuttgart Bad Cannstatt, Germany.

Approx. 10 seminar spaces are available. Please register for the training seminar on time.

**Learning objectives**

Participants get to know and understand

- how to properly assemble and commission TS 2plus systems
- how to plan and carry out maintenance measures

Contents

- Overview of the components in the TS 2plus system
- Assembly and commissioning of a TS 2plus system
- Systematic troubleshooting and elimination of faults
- Planning and carrying out preventative maintenance
- Carrying out repairs
- Spare parts planning

Practical exercises covering all of the above-listed points will be carried out on a ready-for-operation TS 2plus system.

Dates/seminar location

Feb. 21-22, 2006	Stuttgart, Germany
May 8-9, 2006	Stuttgart, Germany
Sept. 26-27, 2006	Stuttgart, Germany
Dec. 5-6, 2006	Stuttgart, Germany

Info and registration

Bosch Rexroth AG
BRL/SVC1
Löwentorstraße 66-70
70376 Stuttgart Bad Cannstatt, Germany
Telephone: +49 (0)711-811-7836
Fax: +49 (0) 711-811-7851
Guenter.Wagner3@boschrexroth.de

Price : €580

Training courses in other languages or on-site are offered individually.